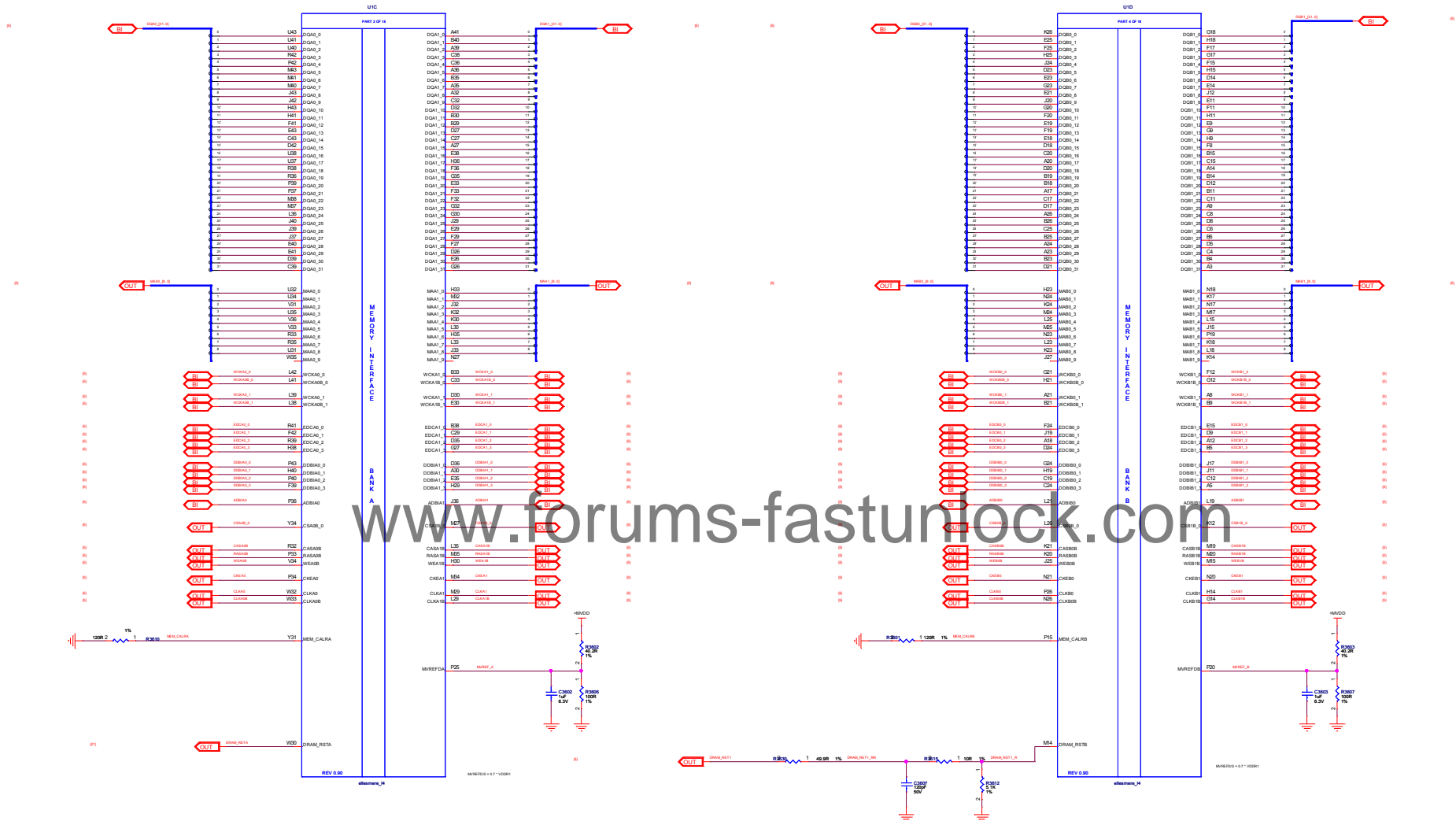






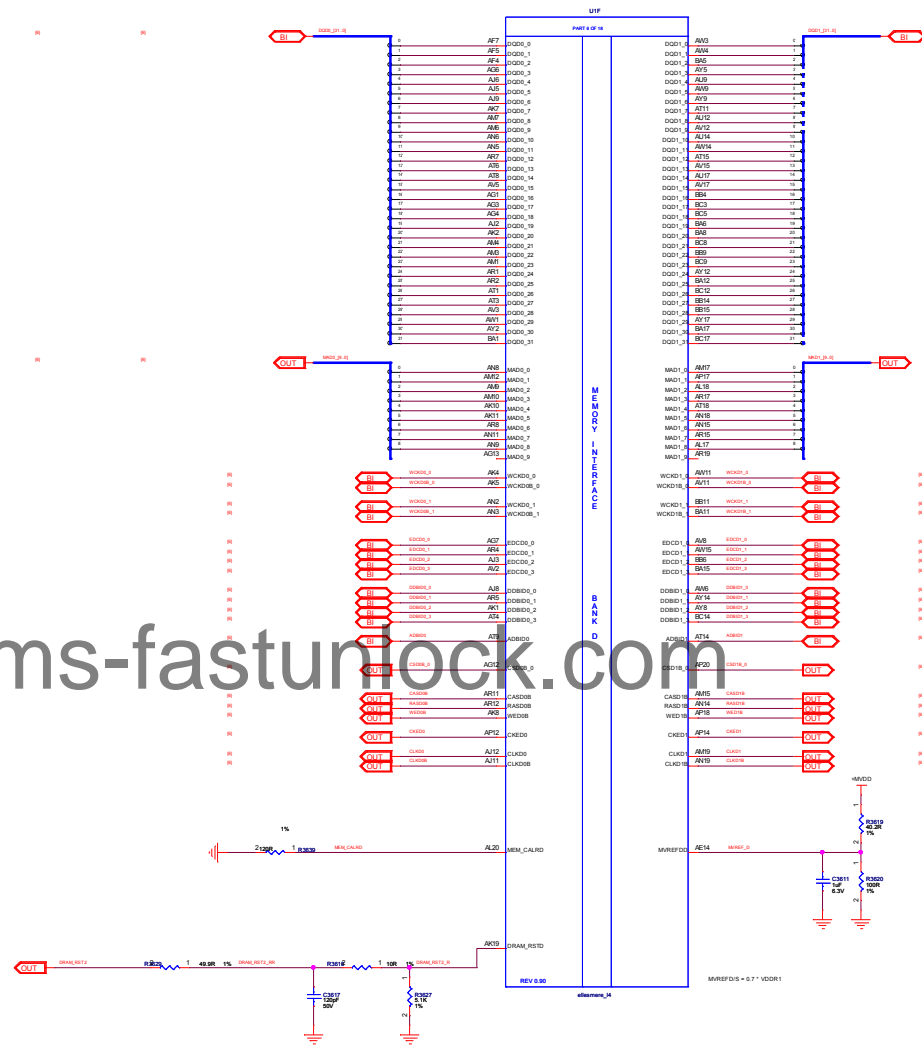
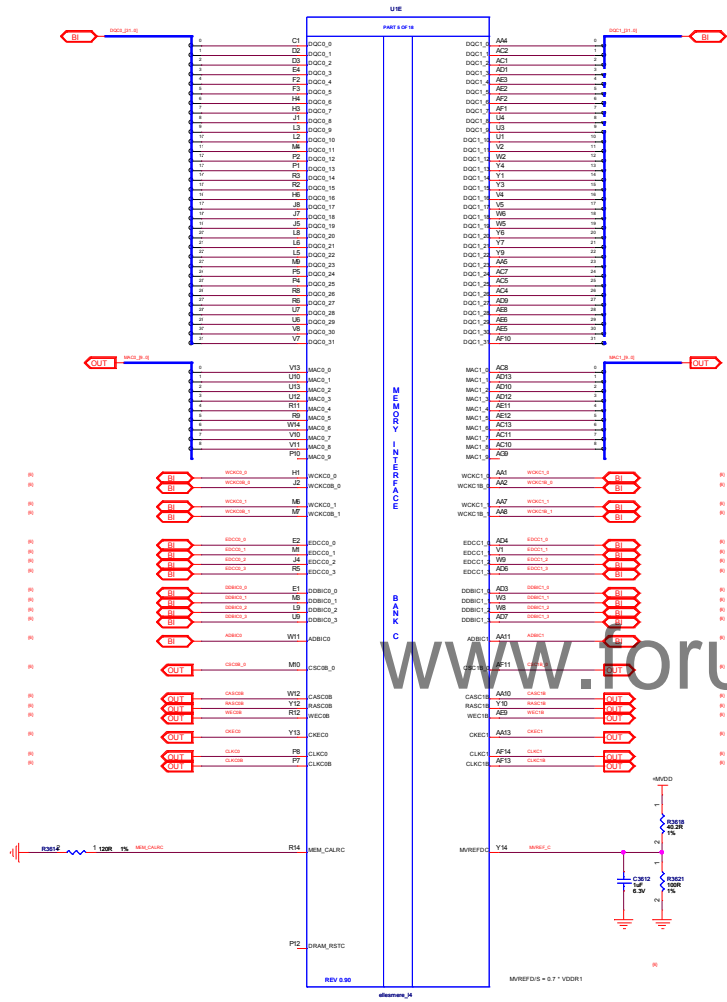
(3) ELLESMERE MEM INTERFACE CH A/B



www.forums-fastunlock.com

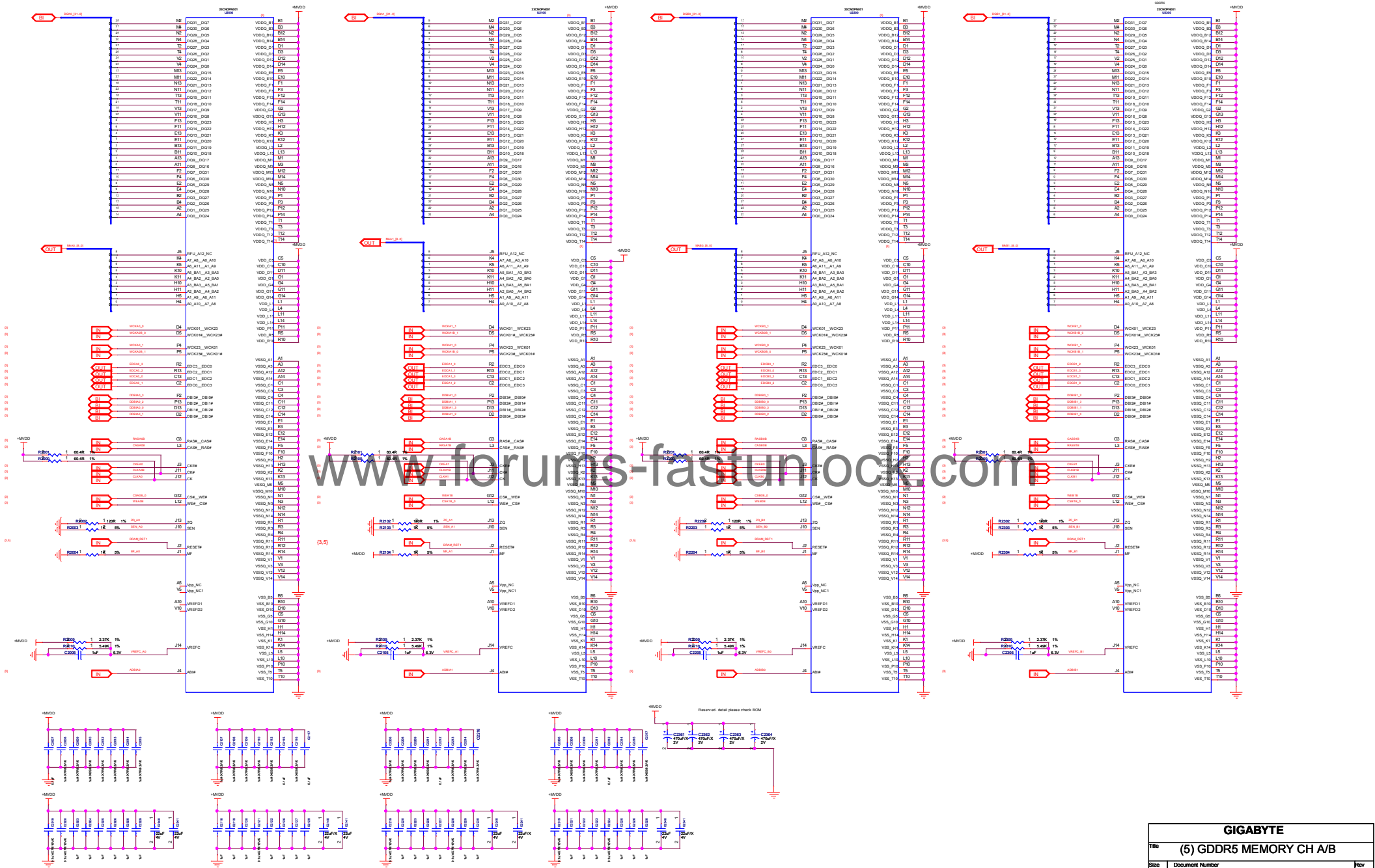
GIGABYTE			
ELLESMERE MEM INTERFACE CH A/B			
Site	Customer	Document Number	Rev
		GV-RX570GAMING-4GD	1.0
Date:	Wednesday, March 01, 2017	Sheet	3 of 29

(4) ELLESMERE MEM INTERFACE CH C/D

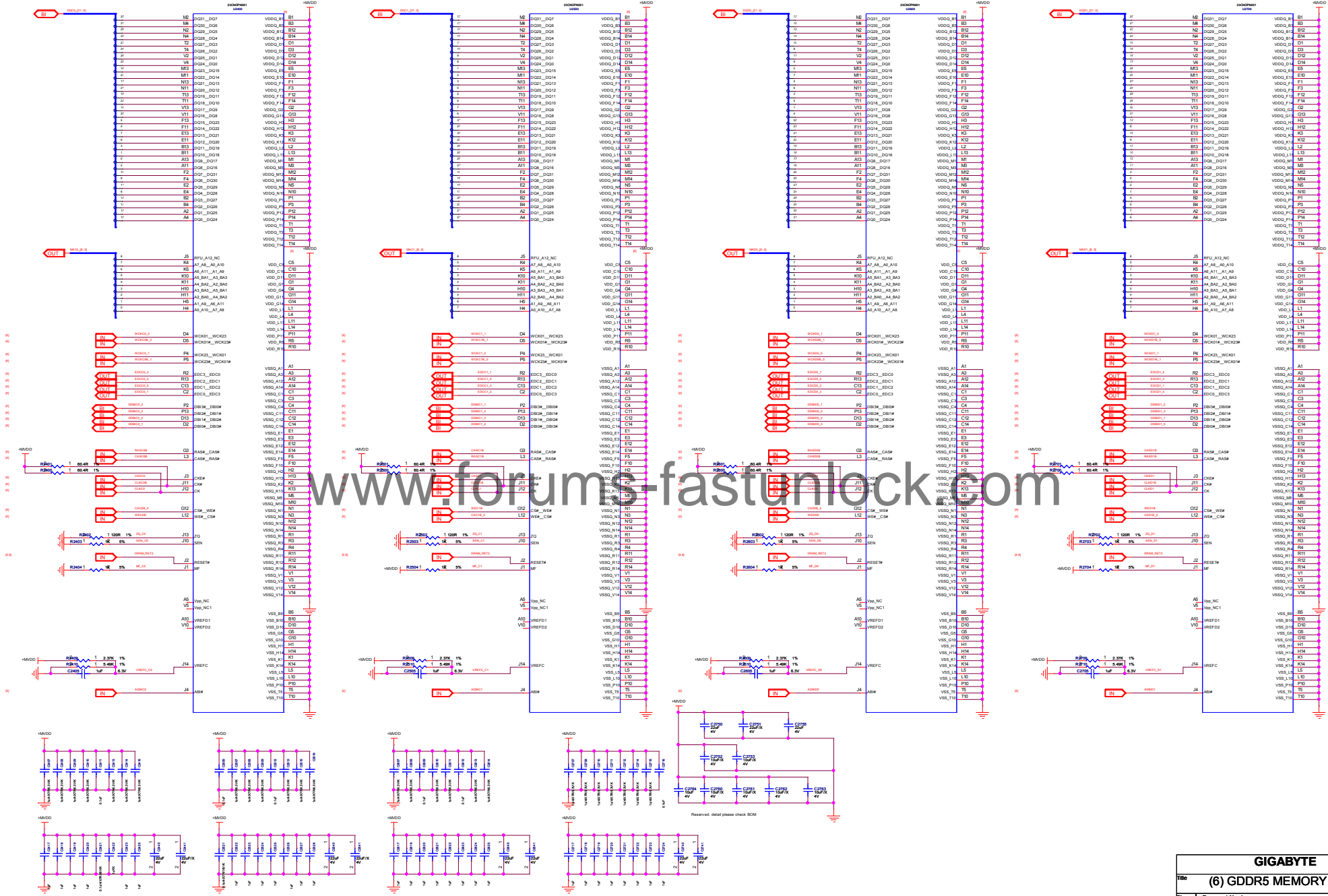


GIGABYTE			
Title ELLESMERE MEM INTERFACE CH C/D			
Size	Document Number	Rev	
Customer	GV-RX570GAMING-4GD	1.0	
Date:	Wednesday, March 01, 2017	Sheet	4 of 29

(5) GDDR5 MEMORY CH A/B



(6) GDDR5 MEMORY CH C/D

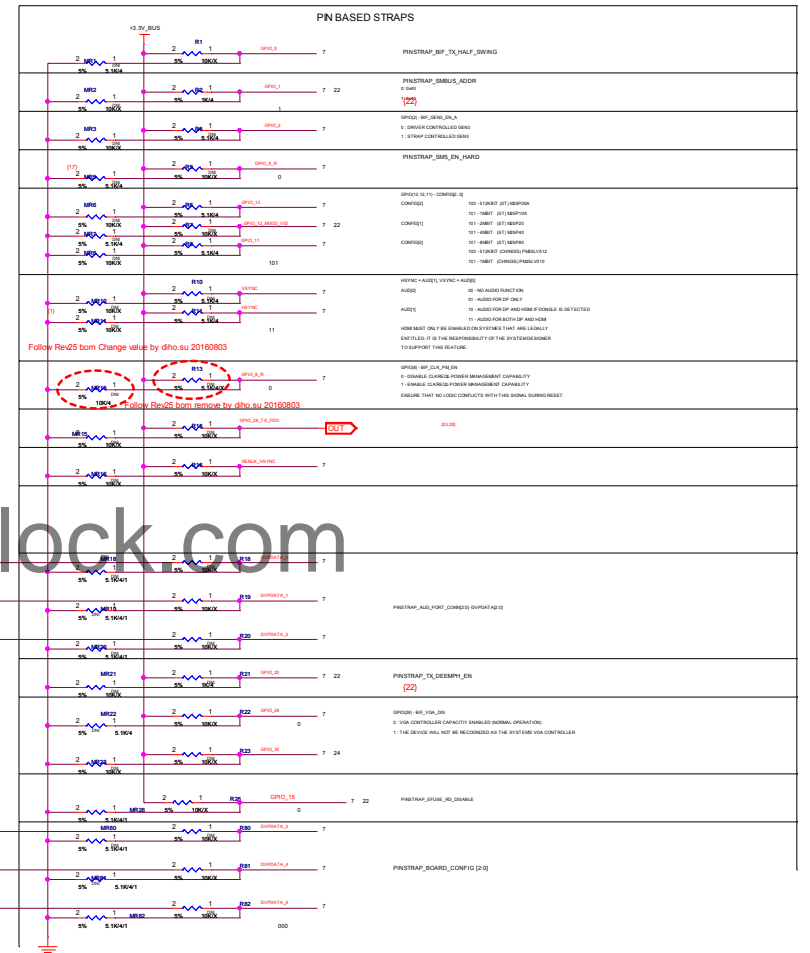
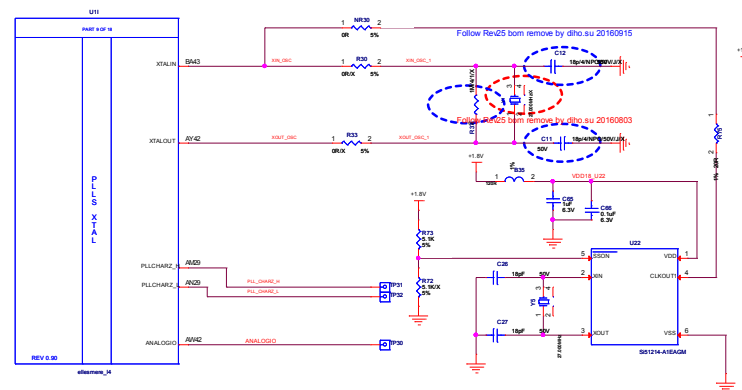
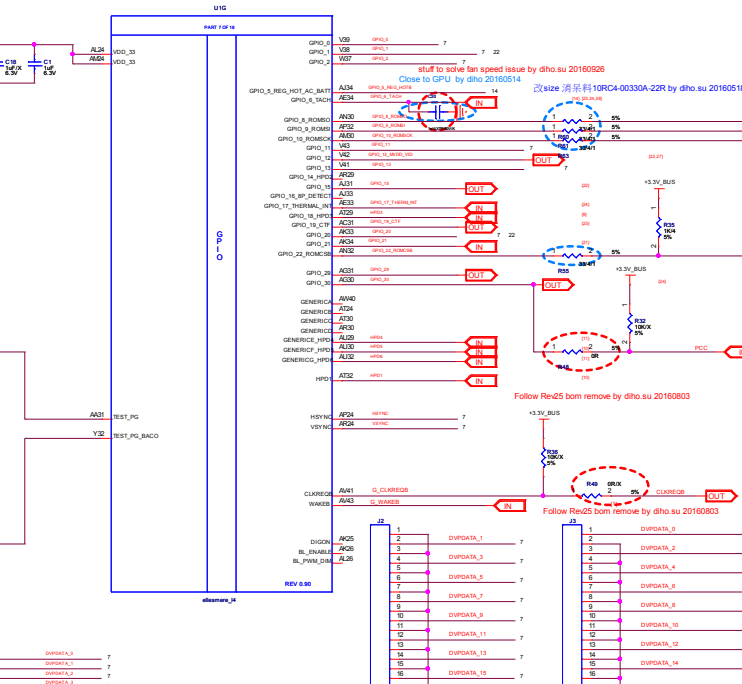
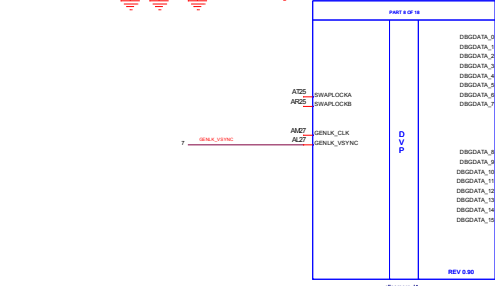
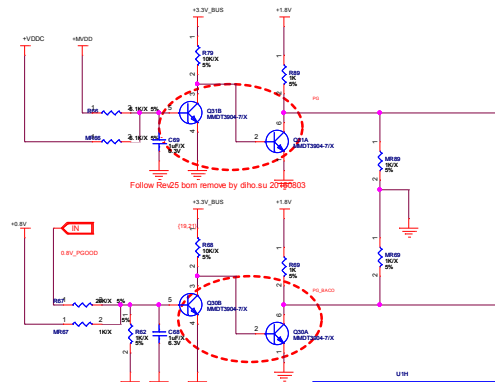


<b>GIGABYTE</b>		Rev 1.0
Title (6) GDDR5 MEMORY CH C/D		
Size	Customer	Document Number
		GV-RX570GAMING-4GD
Date	Wednesday, March 01, 2017	Sheet 6 of 20

(7) ELLESMERE GPIO STRAP CF XTAL

IO ADDRESS	FUNCTION	DEVICE

IO ADDRESS	FUNCTION	DEVICE
0x88	EXT TEMP SENSOR	LAM9003



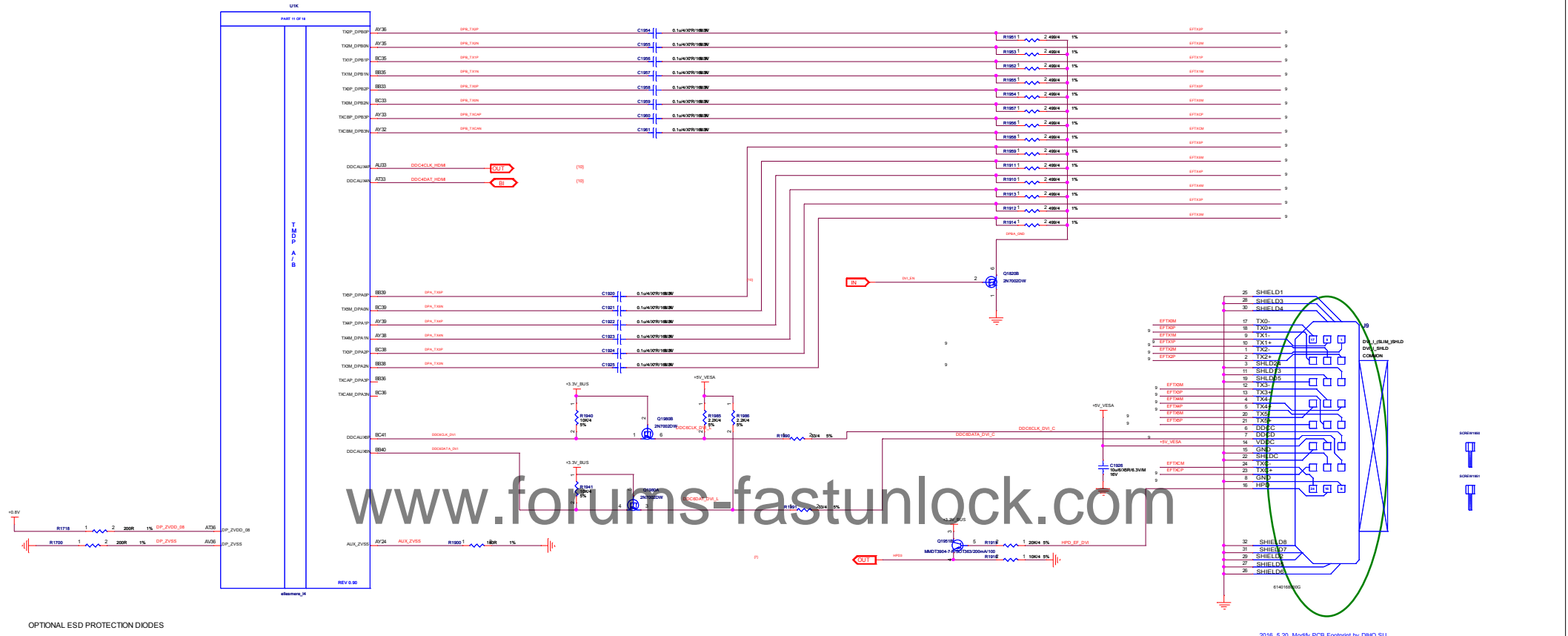
www.forums-fastunlock.com

teknisi indonesia

GIGABYTE	
Title	ELLESMERE GPIO STRAP CF XTAL
Size	Customer
Docu	GV_RX570GAMING-4GD
Date	Wednesday, March 01, 2017
Sheet	7 of 29

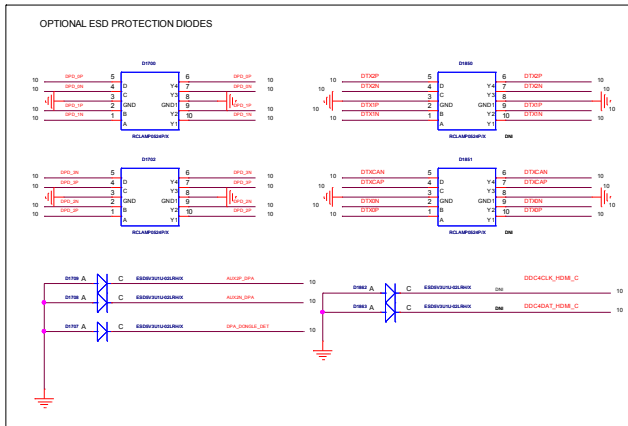
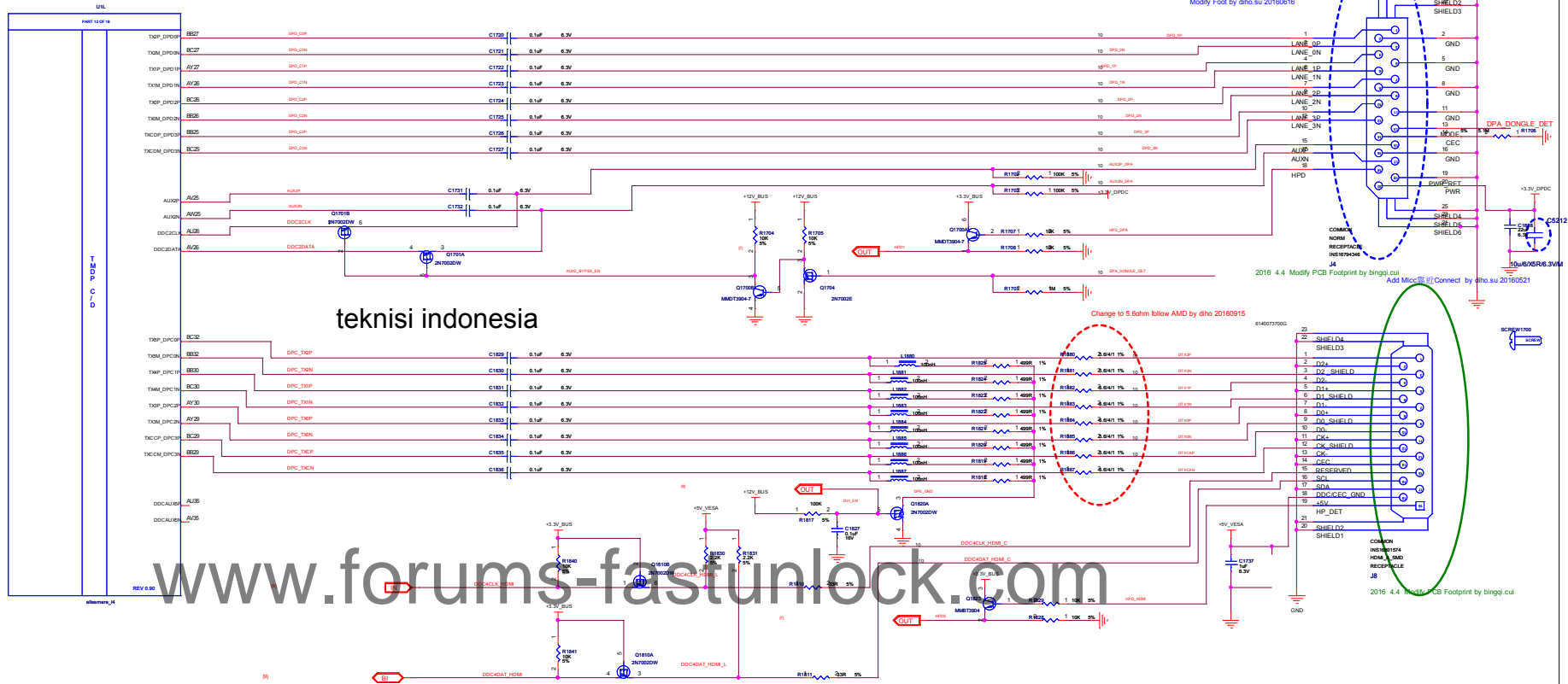




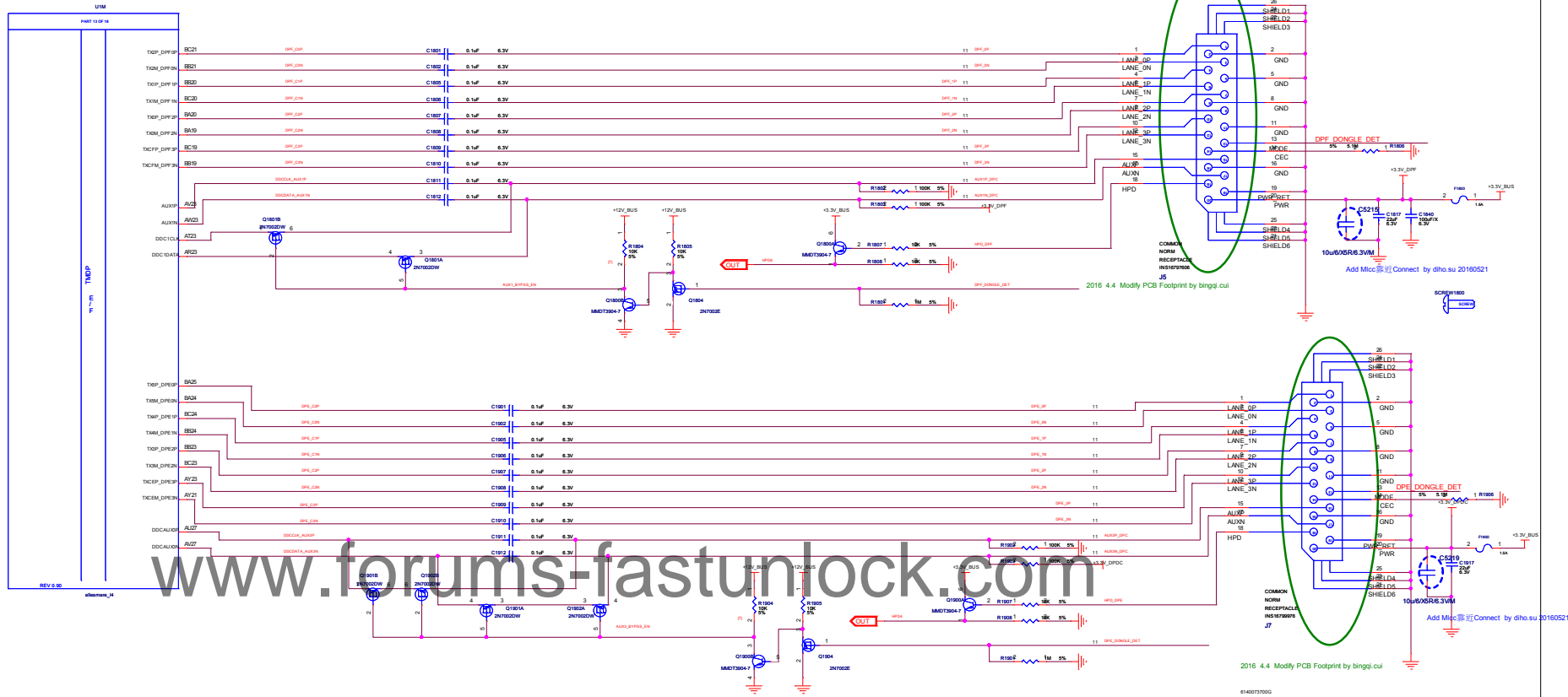


teknisi indonesia

GIGABYTE			
Title ELLESMERE TMDP A/B			
Size	Customer	Document Number	Rev
		GV_RX570GAMING-4GD	1.0
Date	Wednesday, March 01, 2017	Sheet	9 of 29

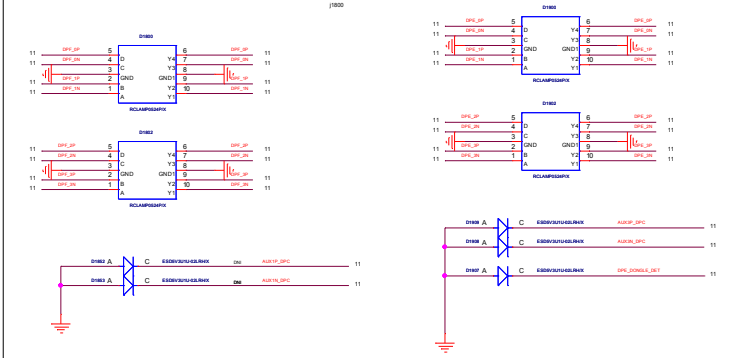


GIGABYTE		
Title	ELLESMERE TMDP C/D	
Size	Document Number	Rev
Customer	GV_RX570GAMING-4GD	1.0
Date	Wednesday, March 01, 2017	Sheet 10 of 20



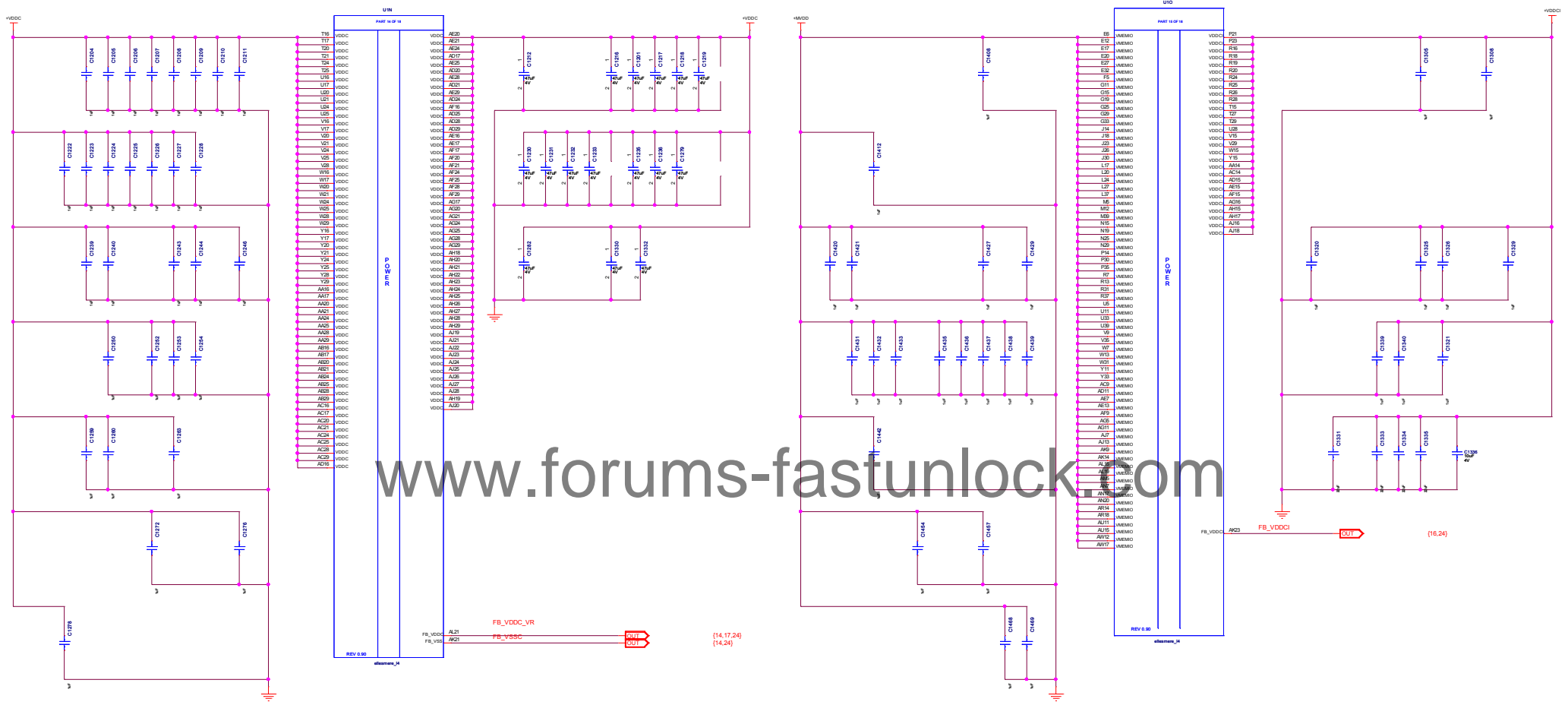
www.forums-fastunlock.com

OPTIONAL ESD PROTECTION DIODES

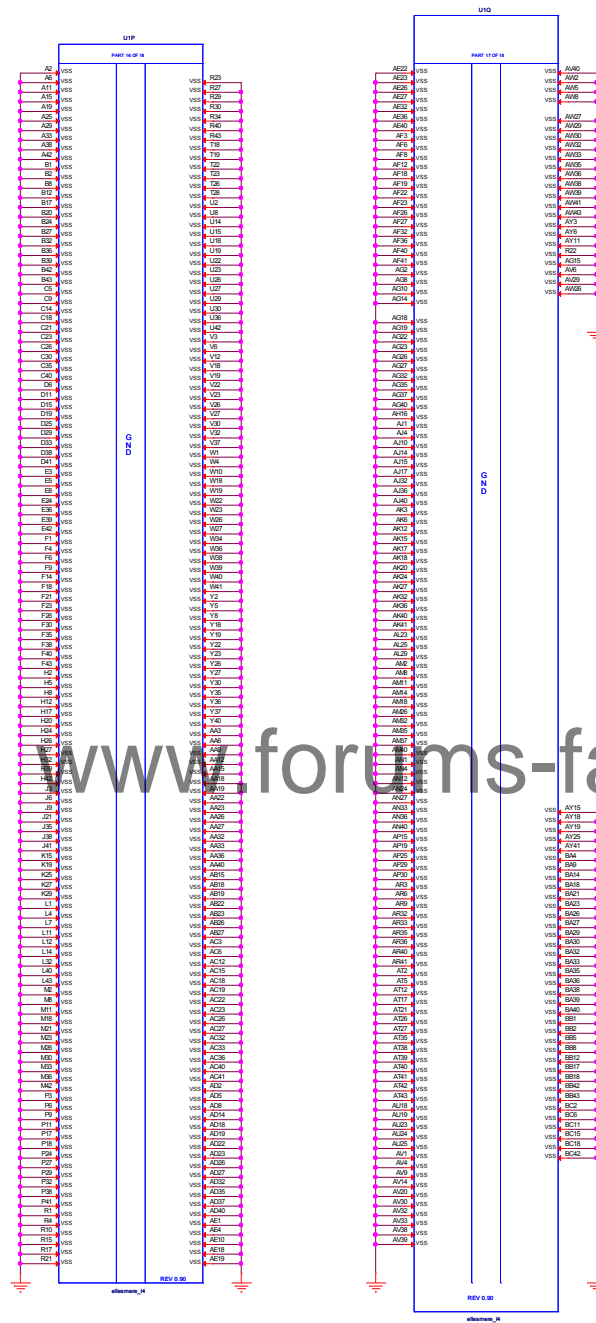


GIGABYTE			
Title	ELLESMERE LVTMDP E/F		
Size	Document Number	GV_RX570GAMING-4GD	
Customer	GV_RX570GAMING-4GD		Rev 1.0
Date	Wednesday, March 01, 2017	Sheet	11 of 20

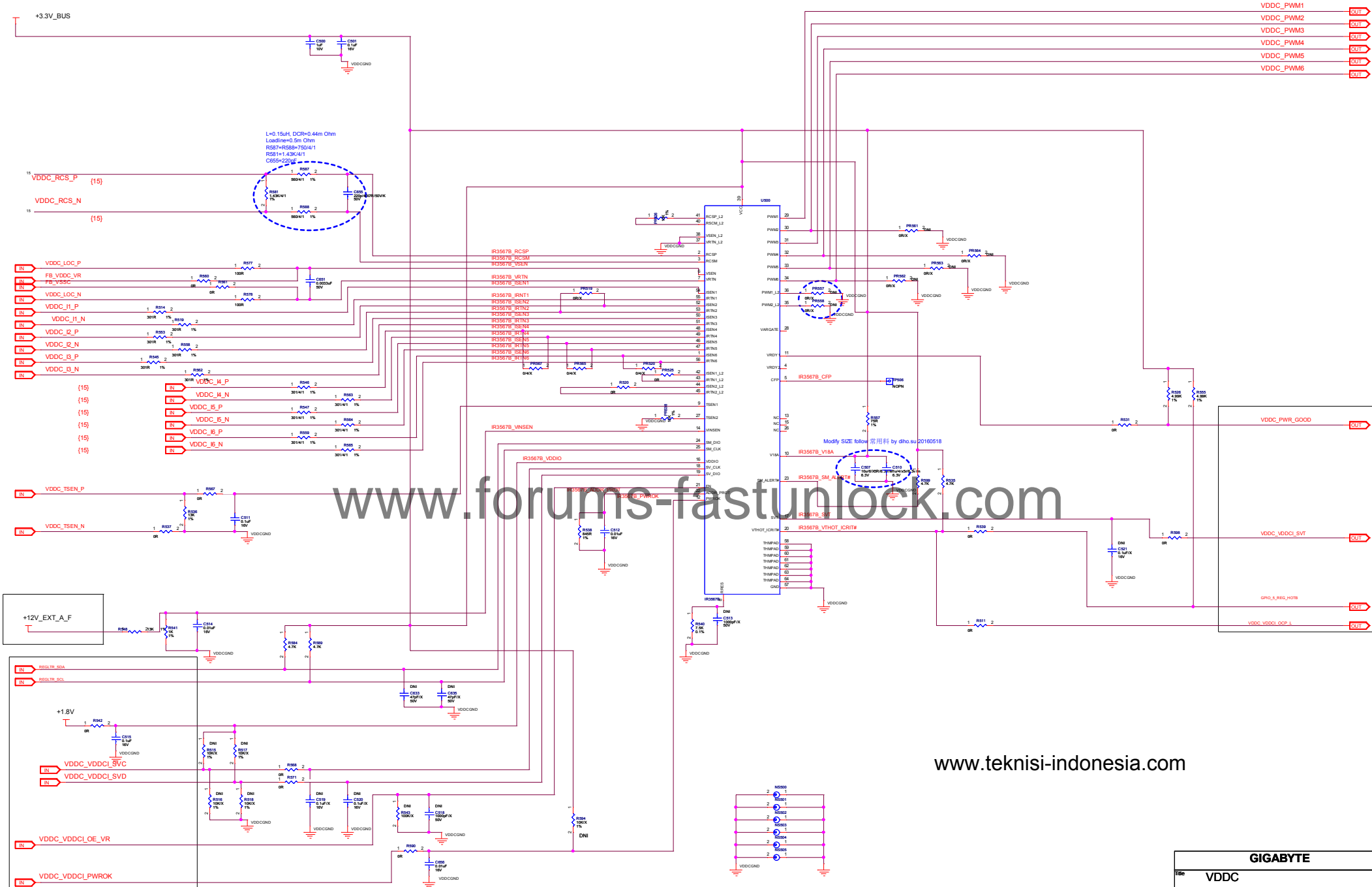
(12) ELLESMERE POWER



<b>GIGABYTE</b>			
Title: PCI Express			
Size: Custom	Document Number: GV-RX570GAMING-4GD	Rev: 1.0	
Date: Wednesday, March 01, 2017	Sheet: 12	of 29	



<b>GIGABYTE</b>			
Title <b>ELLESMERE GND</b>			
Size	Document Number	Rev	1.0
Customer	<b>GV-RX570GAMING-4GD</b>		
Date	Wednesday, March 01, 2017	Sheet	13 of 29

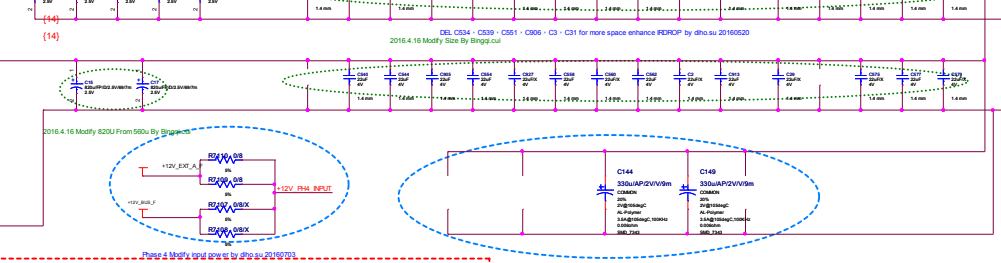
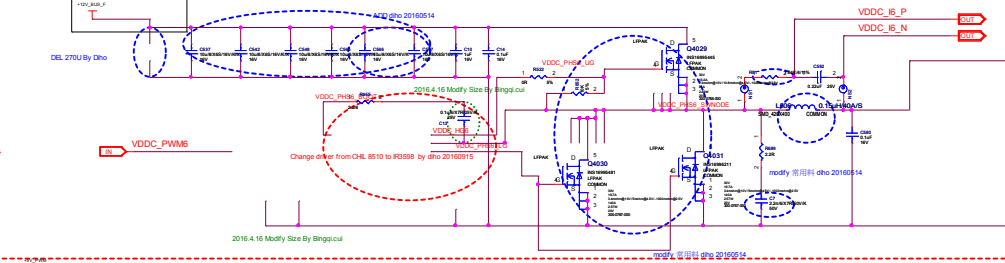
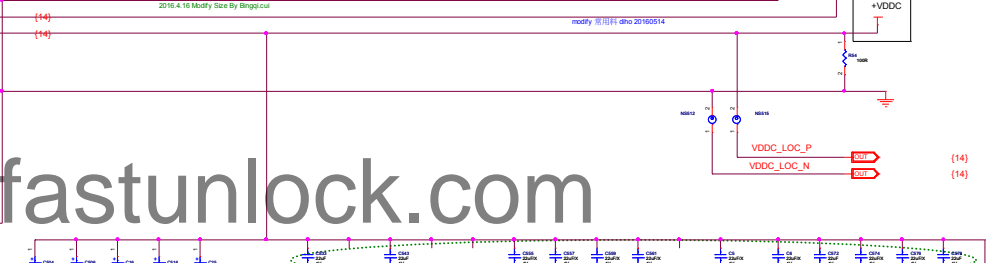
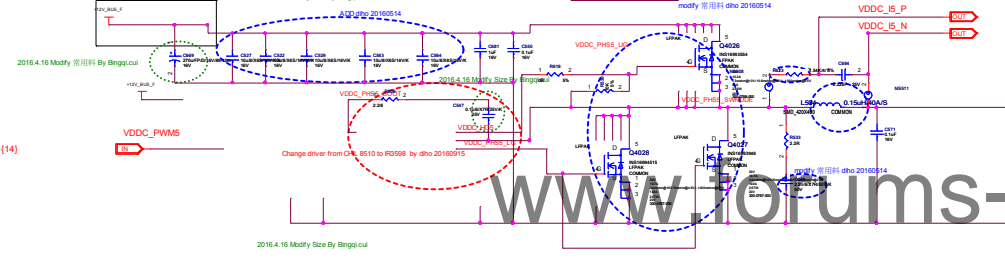
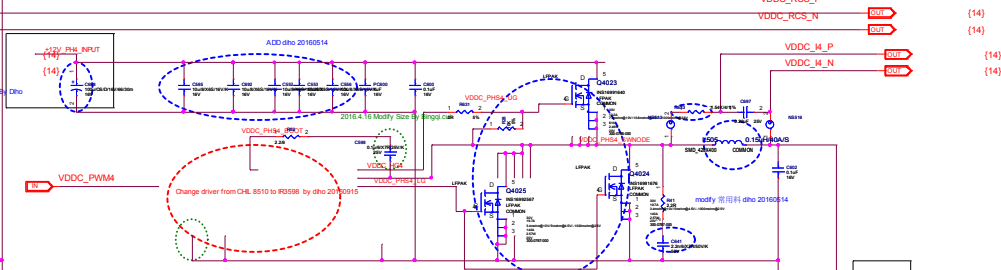
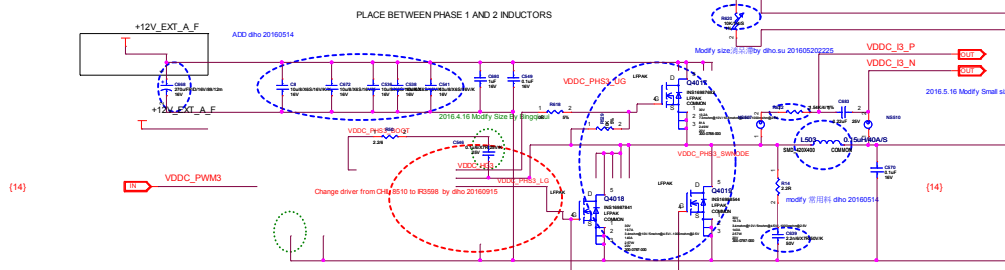
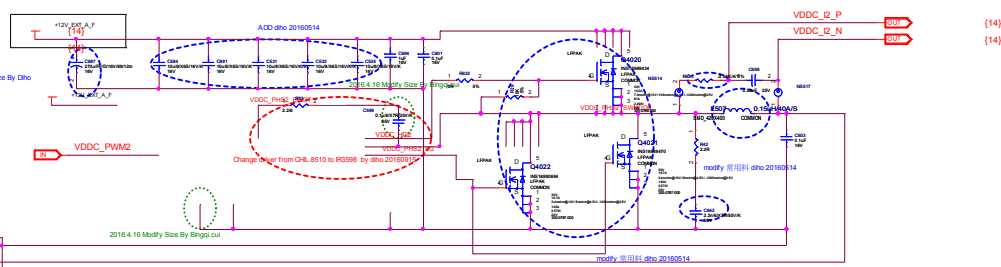
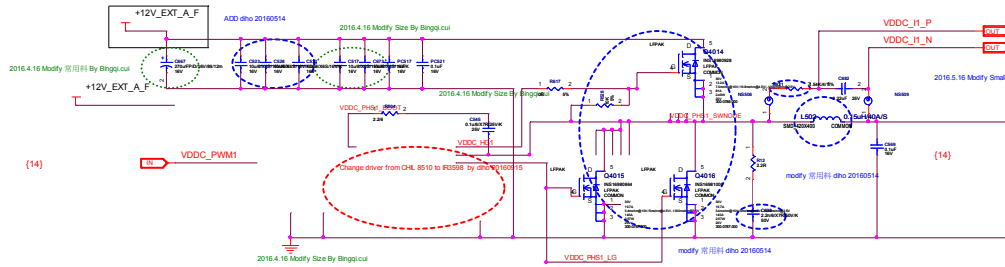


www.forums-fastunlock.com

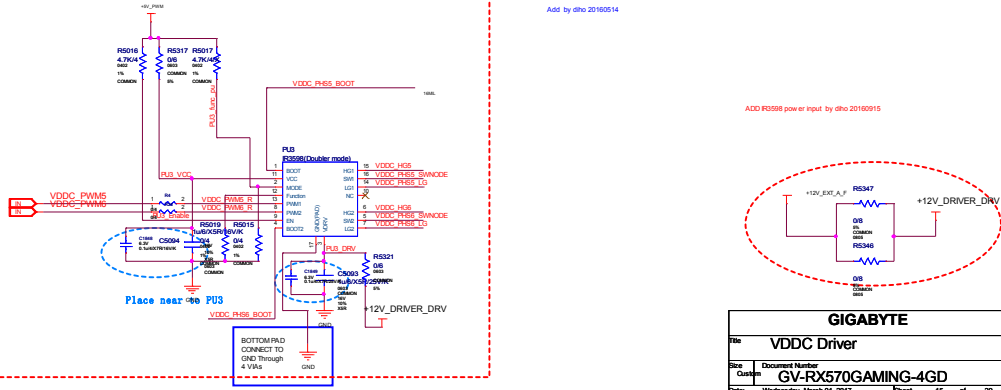
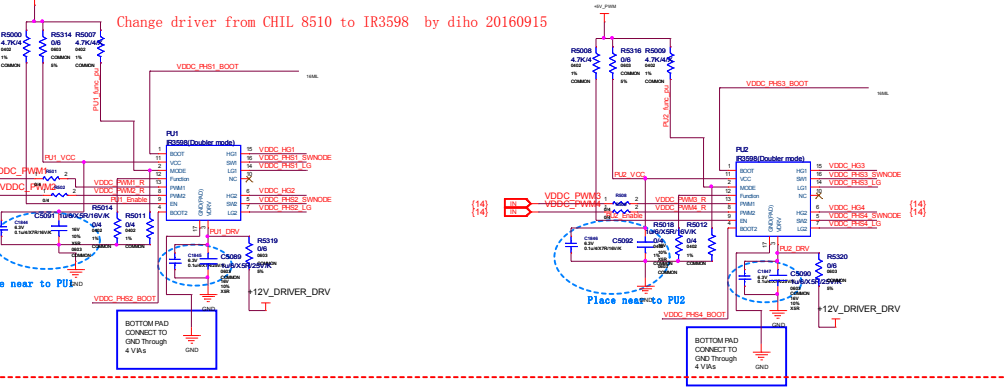
www.teknisi-indonesia.com

<b>GIGABYTE</b>		
Title	VDDC	
Size	Document Number	Rev
Customer	GV.RX570GAMING-4GD	1.0
Date:	Wednesday, March 01, 2017	Sheet 14 of 29

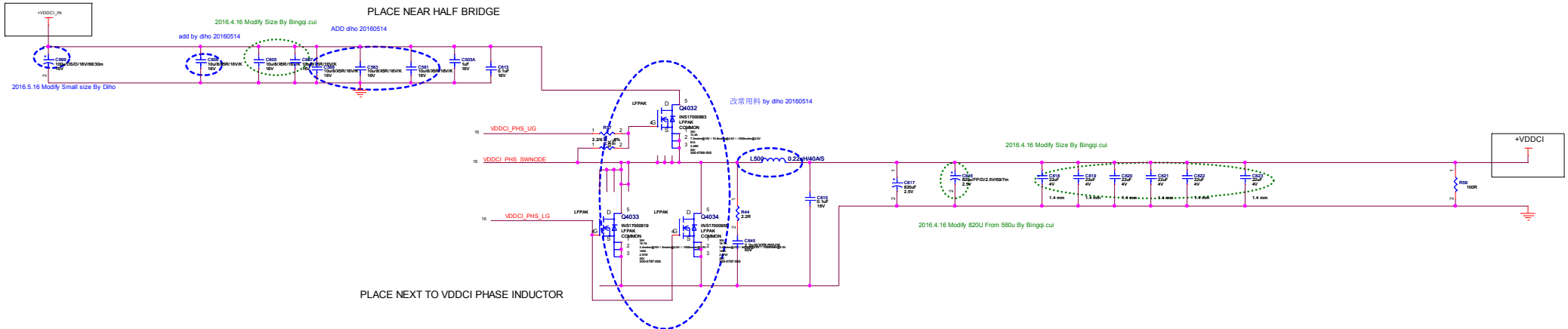
PLACE NEXT TO PHASE 3 HALF BRIDGE



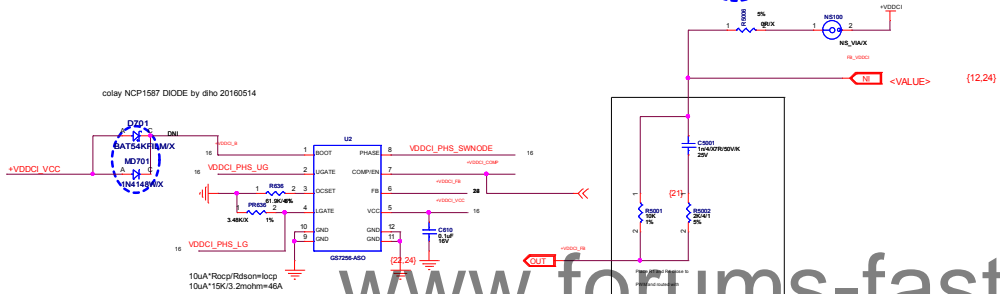
www.forums-fastunlock.com



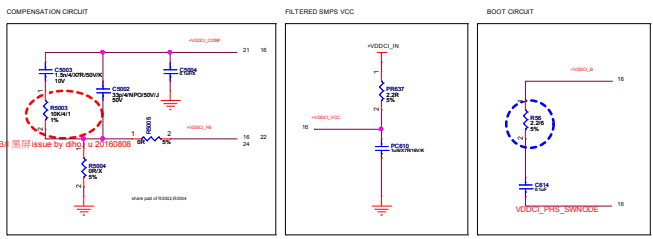
GIGABYTE		
Doc No: VDDC Driver		
Doc Class: GV-RX570GAMING-4GD	Doc No: 10	Rev: 1.0
Date: Wednesday, March 01, 2017		



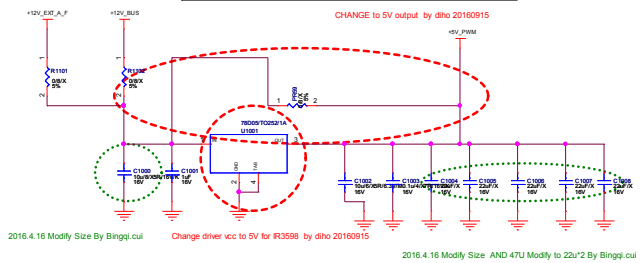
PLACE NEXT TO VDDCI PHASE INDUCTOR



www.forums-fastunlock.com

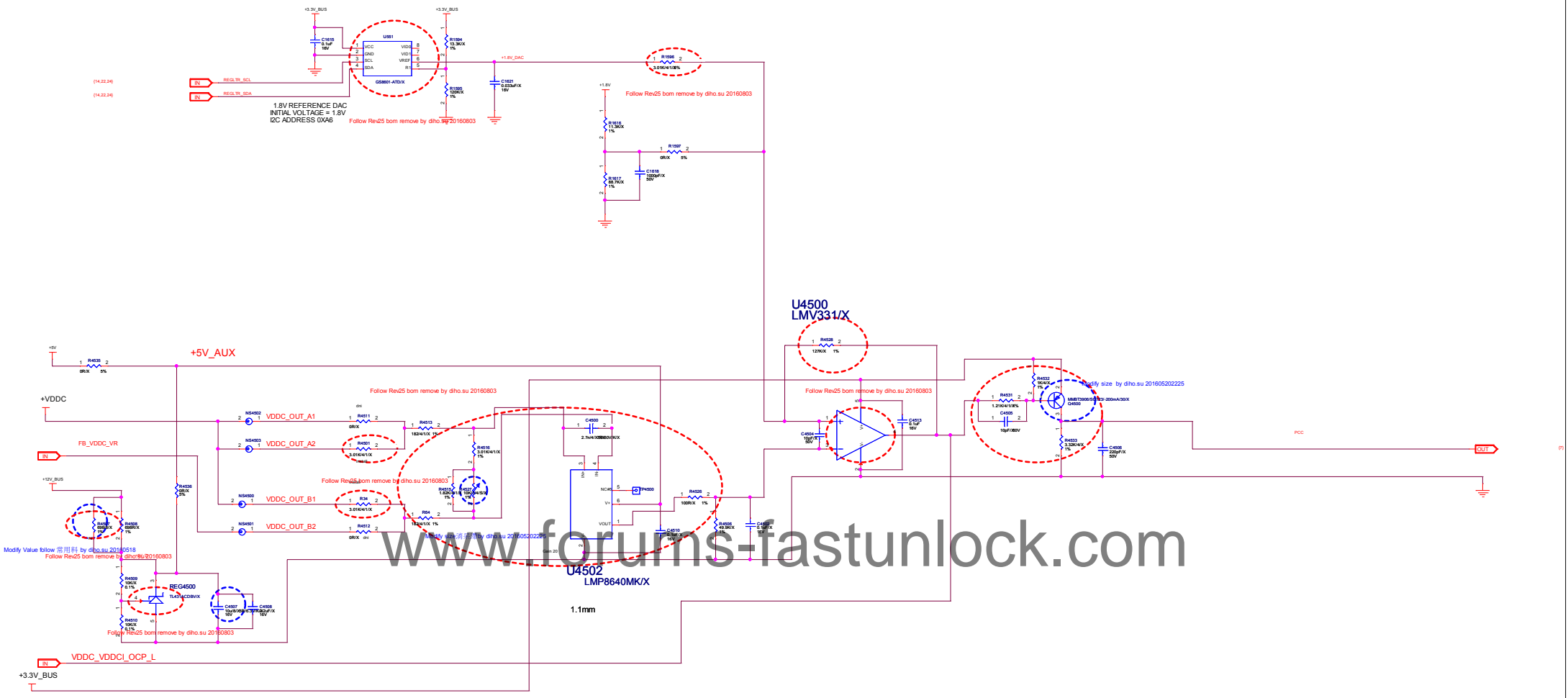


REGULATOR FOR VPVCC RAILS  
IOUT MAX = 500mA



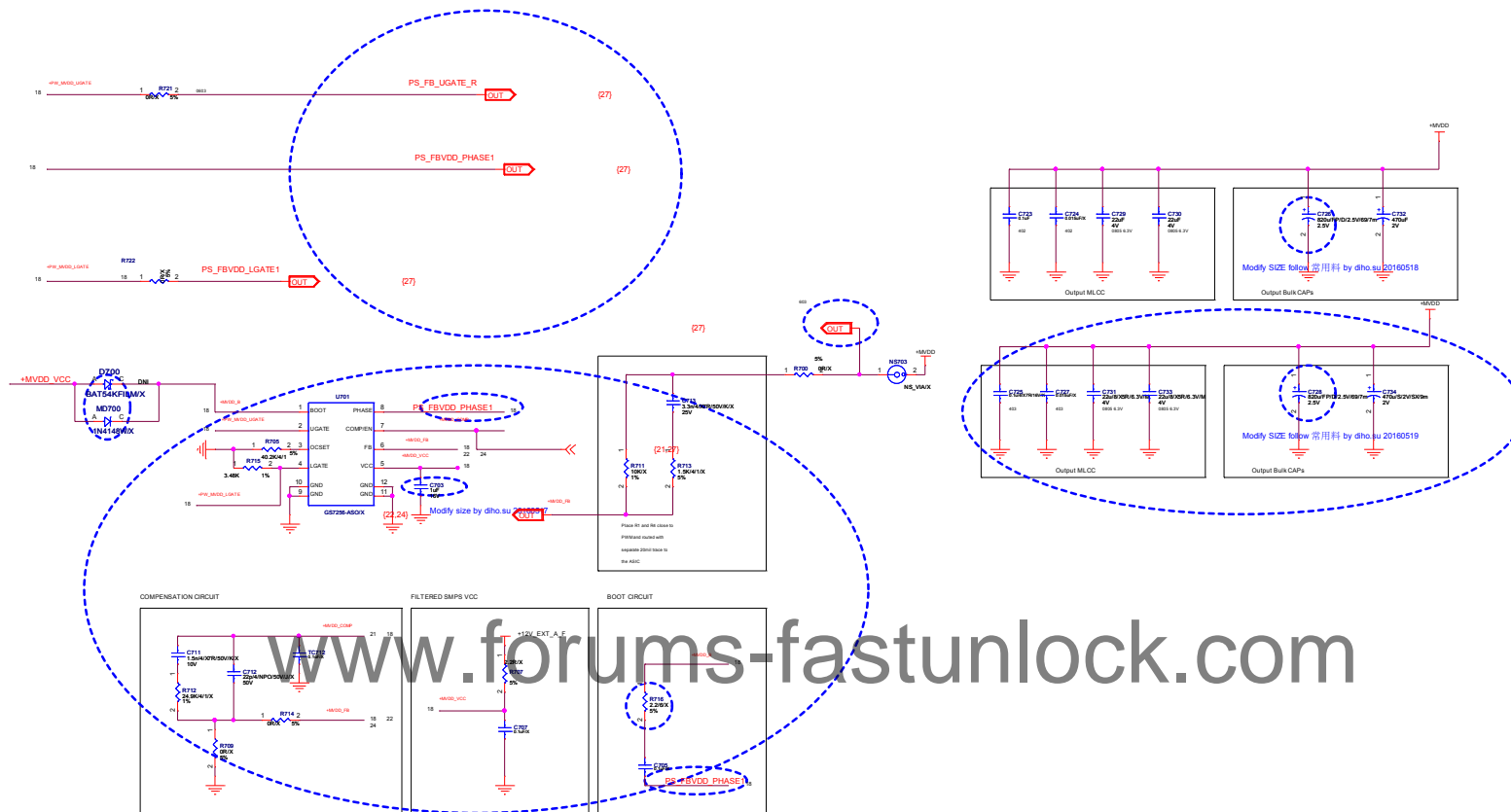
GIGABYTE			
File	VDDCI		
Size	Document Number	Rev	
Class	GV-RX570GAMING-4GD	1.0	
Date:	Wednesday, March 01, 2017	Sheet	16 of 28





www.teknisi-indonesia.com

<b>GIGABYTE</b>		
Title: PCC VDDC		
Size: Custom	Document Number: GV-RX570GAMING-4GD	Rev: 1.0
Date: Wednesday, March 01, 2017	Sheet: 17	of 29



www.forums-fastunlock.com

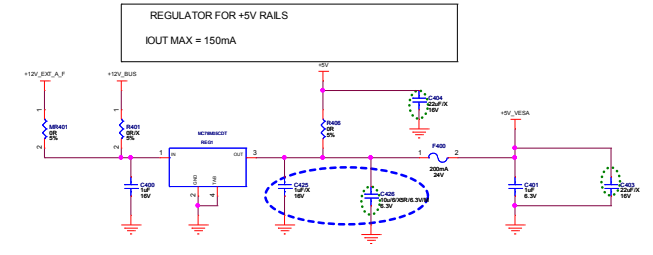
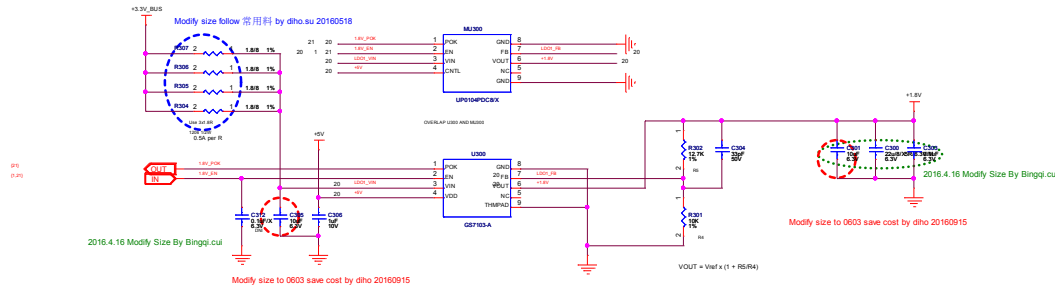
/X Single phase power by diho.su 20160517

GIGABYTE			
Title	MVDD		
Size	Document Number	Rev	
Customer	GV-RX570GAMING-4GD		1.0
Date:	Wednesday, March 01, 2017	Sheet	16 of 29



(18) SMALL RAIL REGULATORS

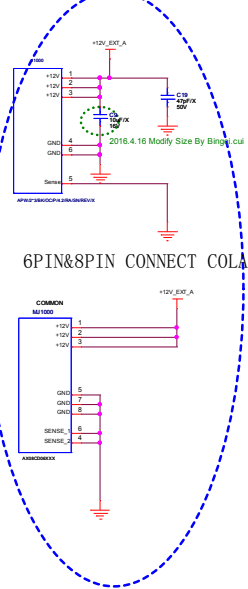
LDO #1: VIN = 3.0V TO 3.6V MAX VOUT = +1.8V +/- 2% IOUT = 1.3A RMS MAX  
 PCB: 50 TO 70mm SQ. COPPER AREA FOR COOLING



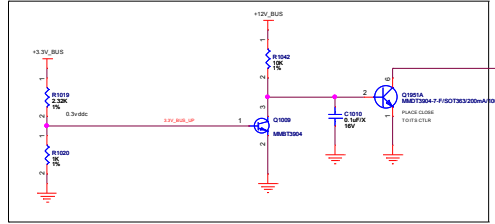
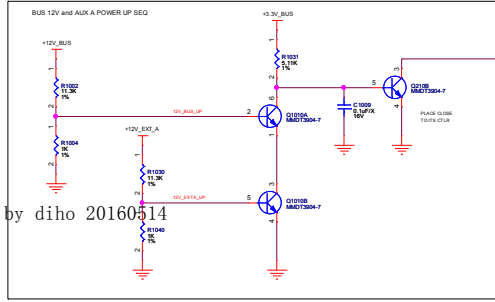
www.forums-fastunlock.com

<b>GIGABYTE</b>			
<b>SMALL RAIL REGULATORS</b>			
Size	Document Number	Rev	1.0
Column	GV-RX570GAMING-4GD		
Date:	Wednesday, March 01, 2017	Sheet	20 of 20

(19) POWER MANAGEMENT



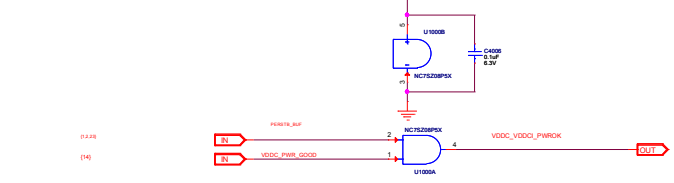
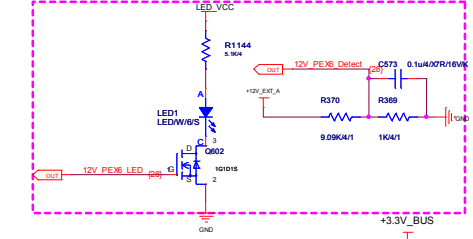
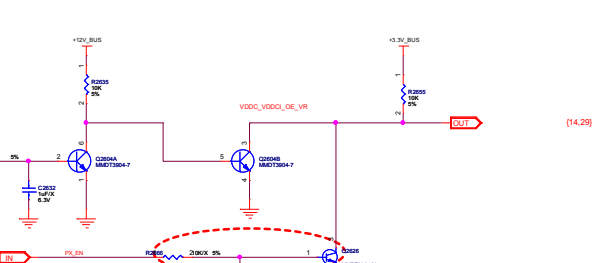
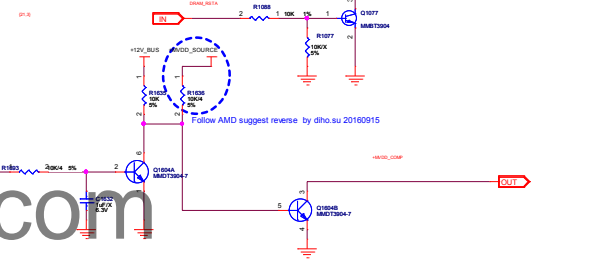
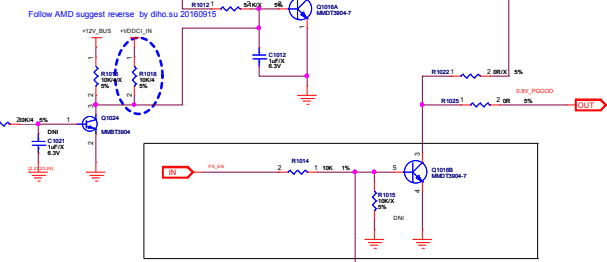
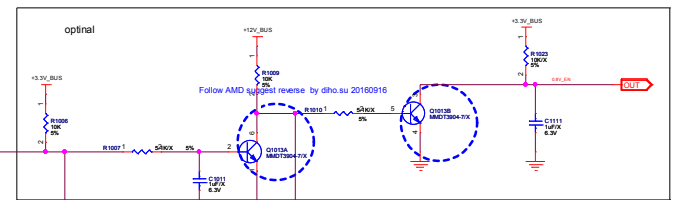
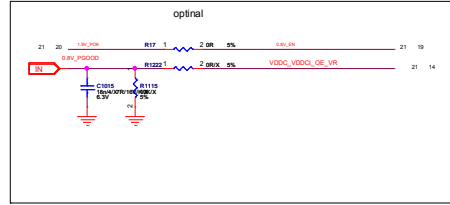
6PIN&8PIN CONNECT COLAY by diho 20160514



POWER UP SEQUENCE

BUS VDD1 (3.3V) UP	1.8V VDDCT	1.8V VDDCT
1.8V VDDCT	1.8V VDDCT	1.8V VDDCT
1.8V VDDCT	1.8V VDDCT	1.8V VDDCT

teknisi indonesia



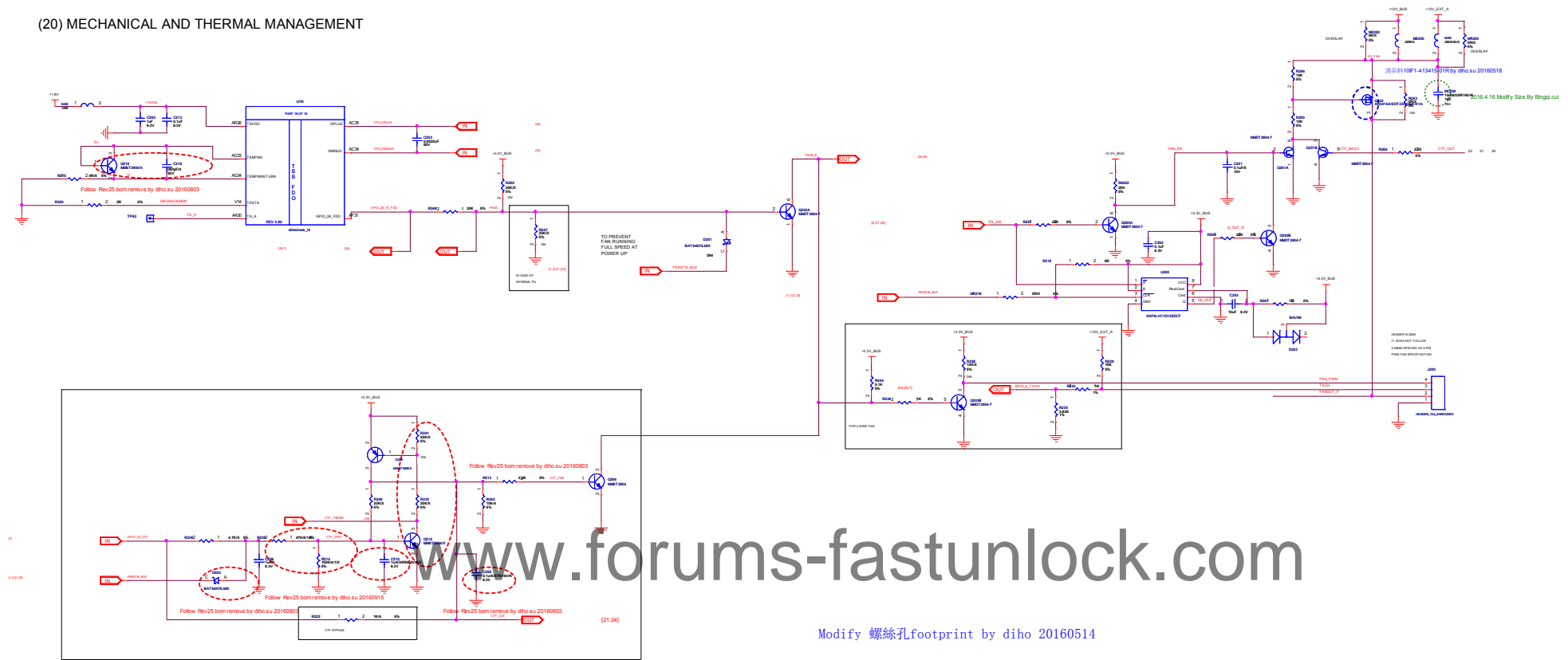
www.forums-fastunlock.com

teknisi indonesia

GIGABYTE		
Title	POWER MANAGEMENT1	
Size	Document Number	Rev
Custom	GV-RX570GAMING-4GD	1.0
Date:	Wednesday, March 01, 2017	Sheet 21 of 29

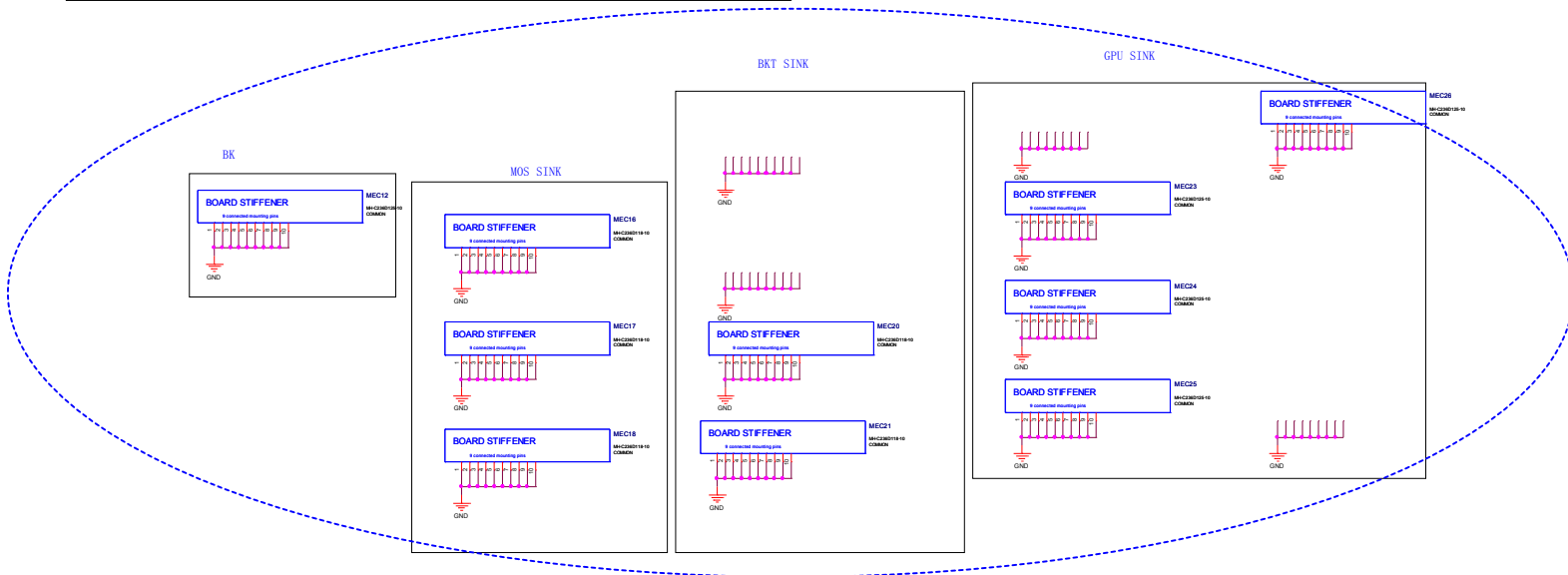


(20) MECHANICAL AND THERMAL MANAGEMENT

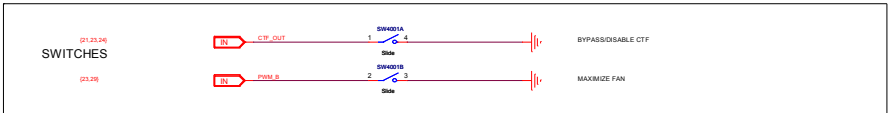
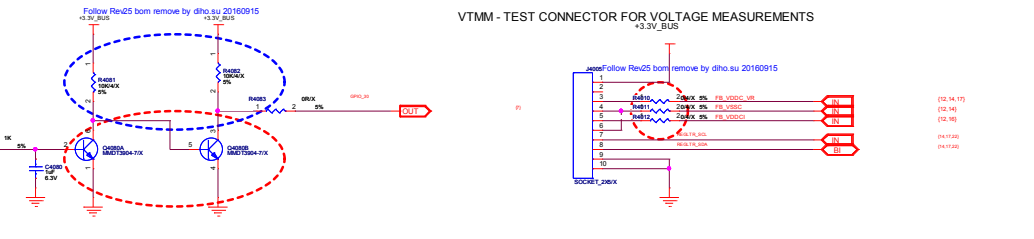
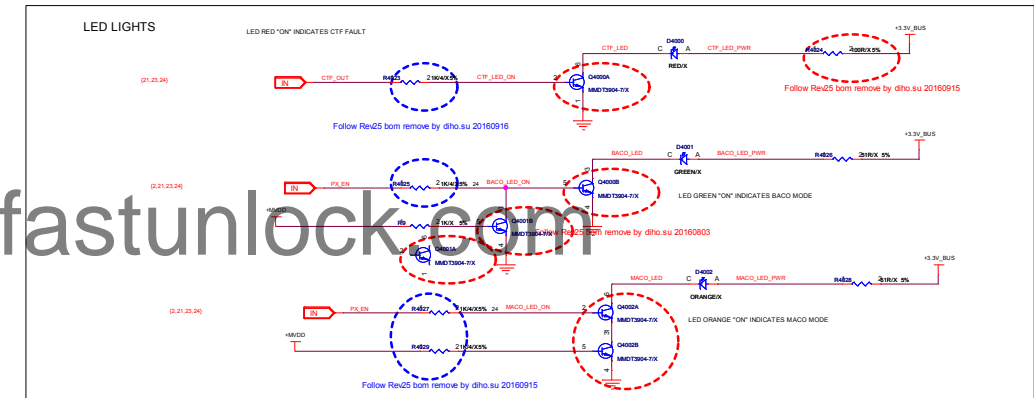
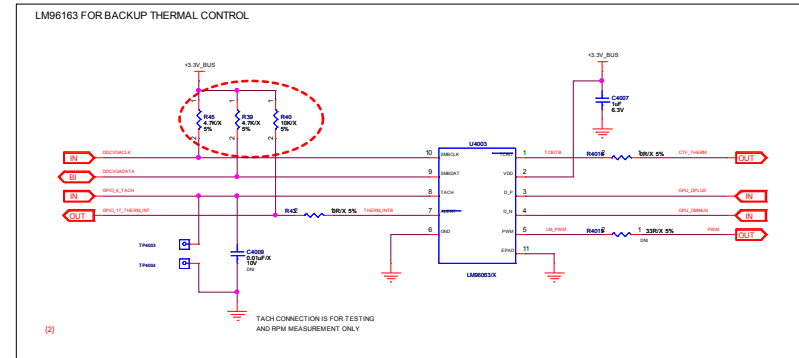
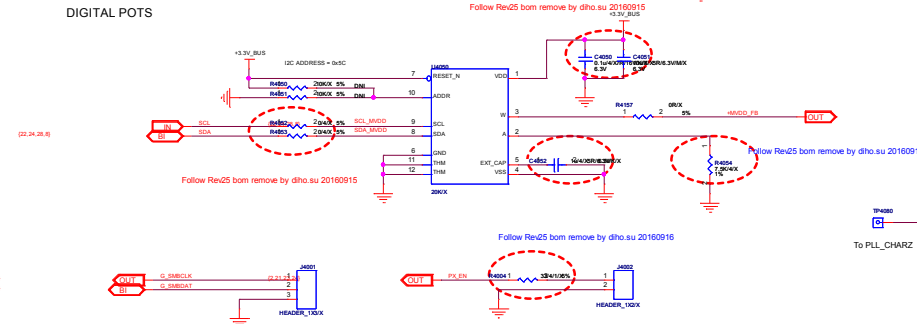
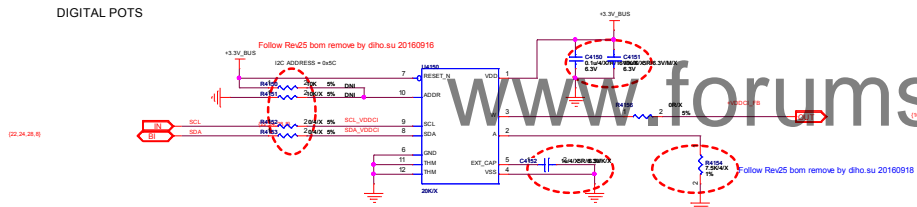
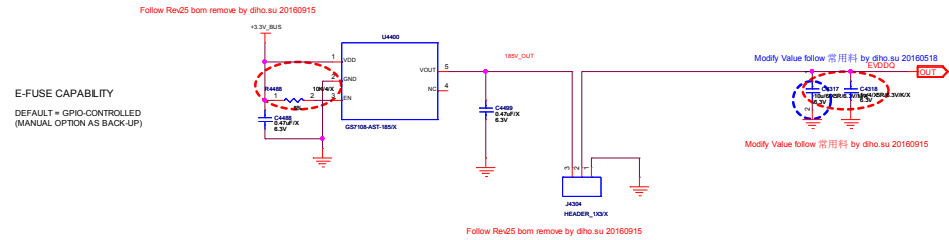
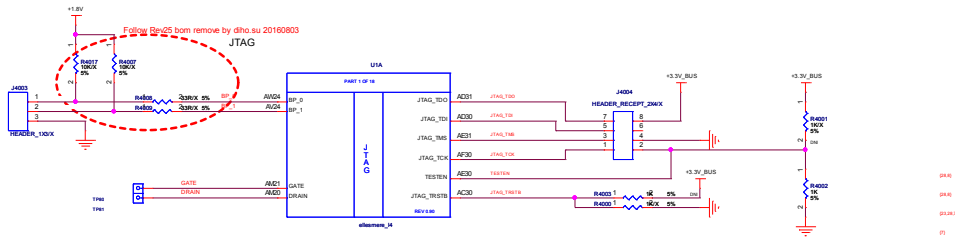


www.forums-fastunlock.com

Modify 螺絲孔footprint by diho 20160514

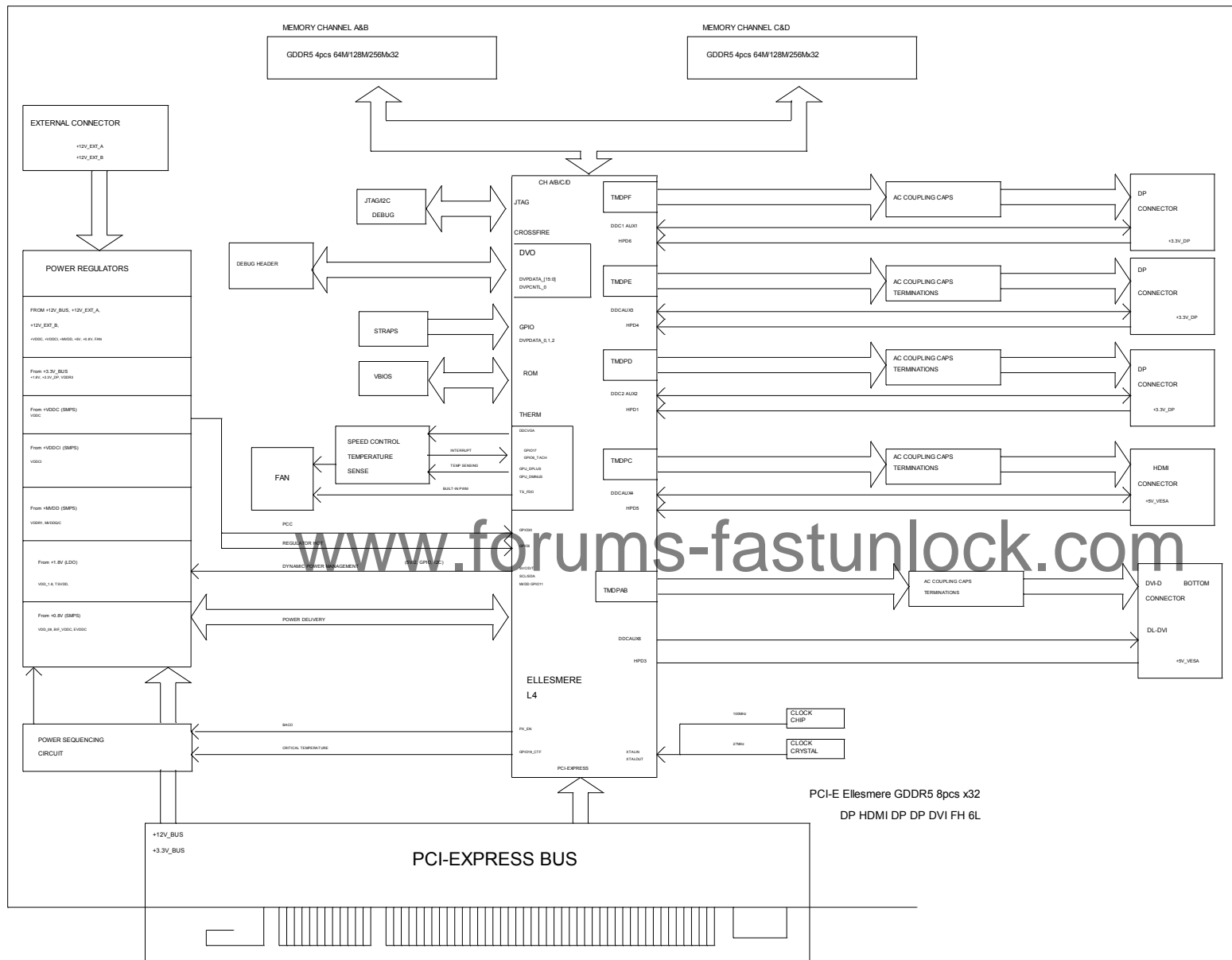


(21) DEBUG CIRCUITS



www.forums-fastunlock.com





www.forums-fastunlock.com

PCI-E Ellesmere GDDR5 8pcs x32  
DP HDMI DP DP DVI FH 6L

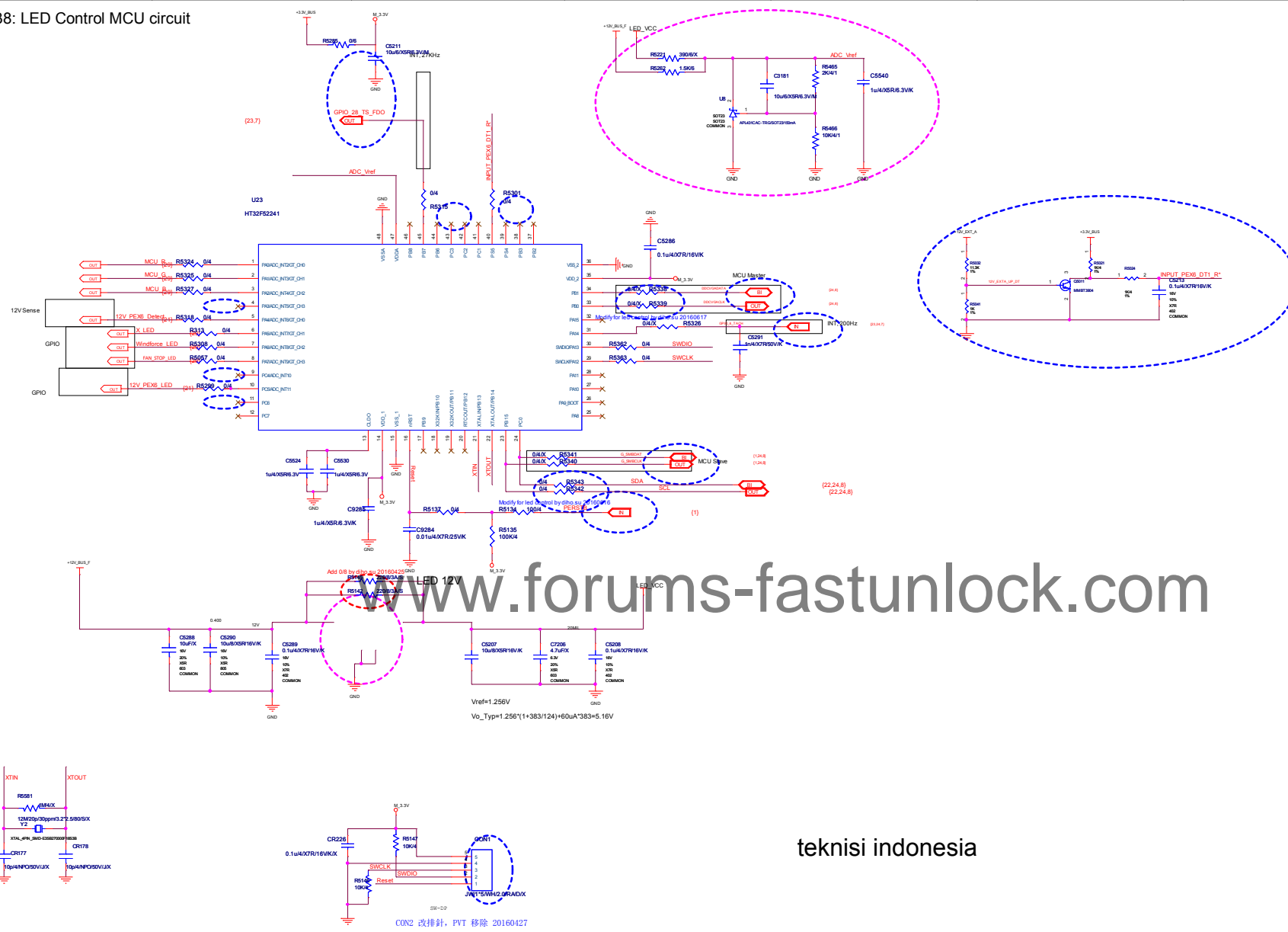
<b>GIGABYTE</b>			
Title	BLOCK DIAGRAM		
Size	Document Number	Rev	
Customer	GV-RX570GAMING-4GD	1.0	
Date	Wednesday, March 01, 2017	Sheet	26 of 29

0	000	000000	
1	000	000000	<ul style="list-style-type: none"> <li>- Add IPD01 to system 1000</li> <li>- update 1000 with revision</li> </ul>
2	000	000000	<p>PCBA:</p> <ul style="list-style-type: none"> <li>- add series resistor R1380 - R1387</li> <li>- add pull down inductor L1800 - L1807</li> </ul> <p>Remove C400, C403, VR400, C410, C414, R400</p>
3	000	000000	Modify GBT Design

www.forums-fastunlock.com

<b>GIGABYTE</b>			
Title			
BLOCK DIAGRAM			
Size	Document Number		Rev
Column	<b>GV-RX570GAMING-4GD</b>		1.0
Date:	Wednesday, March 01, 2017	Sheet	20 of 20





www.forums-fastunlock.com

teknisi indonesia

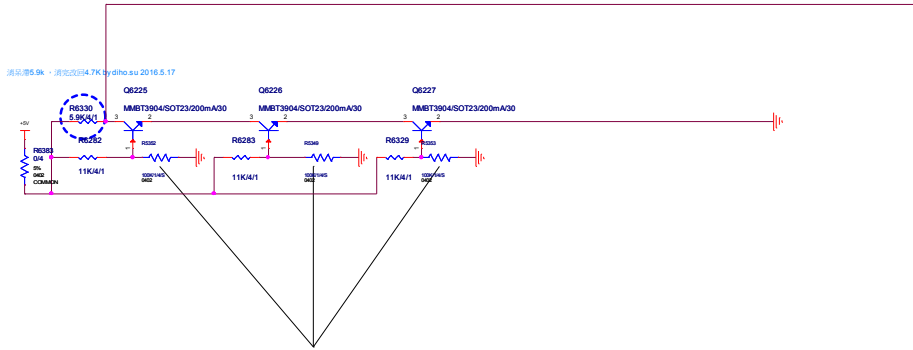
Vout = 8 ~ 7.5V

ALL NVIDIA DESIGN SPECIFICATIONS, REFERENCE SPECIFICATIONS, REFERENCE BOARDS, FILES, DRAWINGS, DIAGNOSTICS, LISTS AND OTHER DOCUMENTS (TOGETHER AND SEPARATELY, "MATERIALS") ARE BEING PROVIDED AS IS. THE MATERIALS MAY CONTAIN KNOWN AND UNKNOWN VIOLATIONS OR DEVIATIONS OF INDUSTRY STANDARDS AND SPECIFICATIONS. NVIDIA MAKES NO WARRANTIES, EXPRESSED, IMPLIED, STATUTORY OR OTHERWISE WITH RESPECT TO THE MATERIALS AND EXPRESSLY DISCLAIMS ALL IMPLIED WARRANTIES INCLUDING, WITHOUT LIMITATION, THE WARRANTIES OF DESIGN, FITNESS FOR A PARTICULAR PURPOSE, MERCHANTABILITY OR FITNESS FOR A PARTICULAR PURPOSE, OR ARISING FROM A COURSE OF DEALING, TRADE USAGE, TRADE PRACTICE OR INDUSTRY STANDARDS.

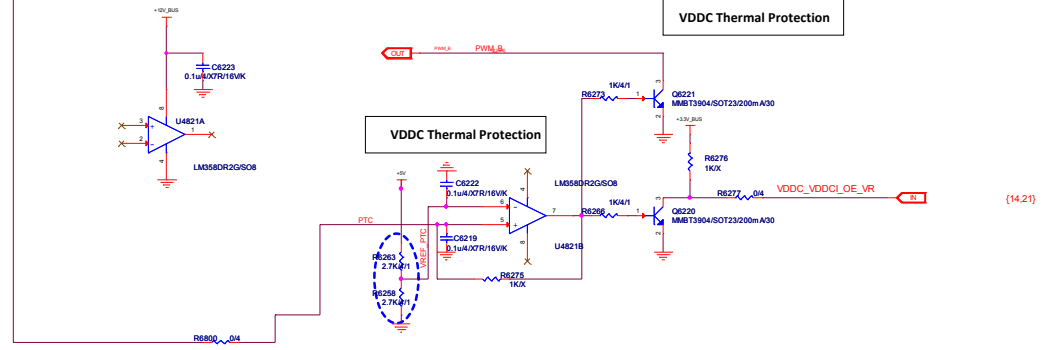
ASSEMBLY PAGE DETAIL  
 -ASSEMBLY DESCRIPTION-  
 MCH BracketThermal

File		
Size	Document Number	Rev
Customer	GV43070GAMING-4GD	1.0
Date:	Wednesday, March 01, 2017	Sheet 28 of 29

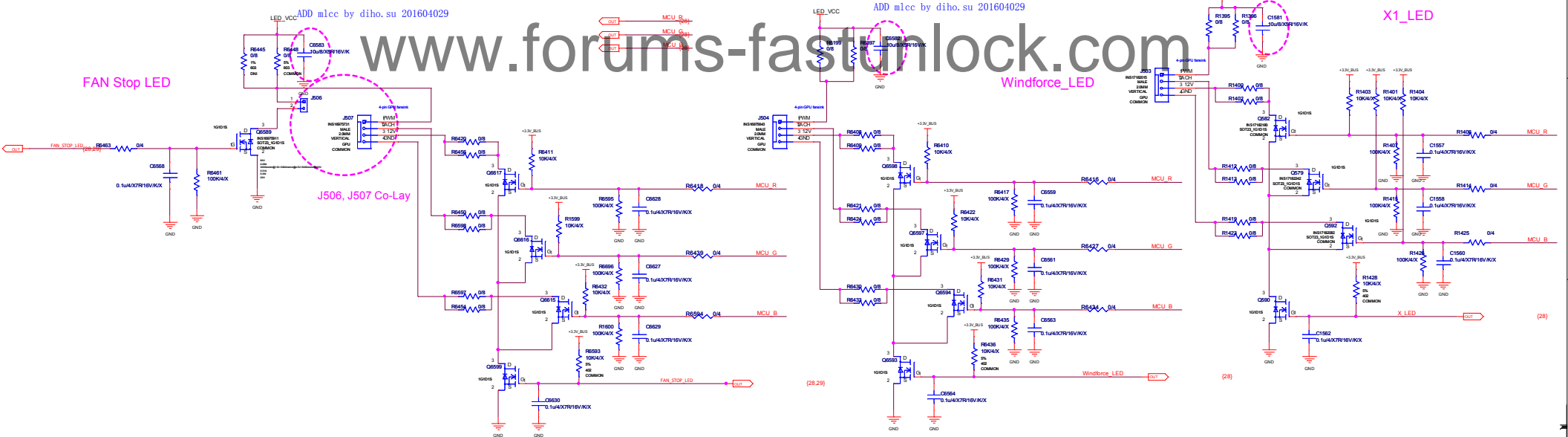
Add MOS VRHOT CIRCUIT



Near VDDC each high side MOS



www.forums-fastunlock.com



ALL NVIDIA DESIGN SPECIFICATIONS, REFERENCE SPECIFICATIONS, REFERENCE BOARDS, FILES, DRAWINGS, DIAGNOSTICS, LISTS AND OTHER DOCUMENTS OR INFORMATION (TOGETHER AND SEPARATELY, "MATERIALS") ARE BEING PROVIDED "AS IS." THE MATERIALS MAY CONTAIN KNOWN AND UNKNOWN VIOLATIONS OR DEVIATIONS OF INDUSTRY STANDARDS AND SPECIFICATIONS. NVIDIA MAKES NO WARRANTIES, EXPRESSED, IMPLIED, STATUTORY OR OTHERWISE WITH RESPECT TO THE MATERIALS OR OTHERWISE, AND EXPRESSLY DISCLAIMS ALL IMPLIED WARRANTIES INCLUDING, WITHOUT LIMITATION, THE WARRANTIES OF DESIGN, OF NON-INFRINGEMENT, MERCHANTABILITY OR FITNESS FOR A PARTICULAR PURPOSE, OR ARISING FROM A COURSE OF DEALING, TRADE USAGE, TRADE PRACTICE, OR INDUSTRY STANDARDS.

File		
Size	Document Number	Rev
Customer	GM426570GAMING-4GD	1.0
Date:	Wednesday, March 01, 2017	Sheet 29 of 29