

WINDFORCE

GIGABYTE

GIGABYTE

GIGABYTE

GIGABYTE

GV-N760OC-2GD 2.0

202



P2002

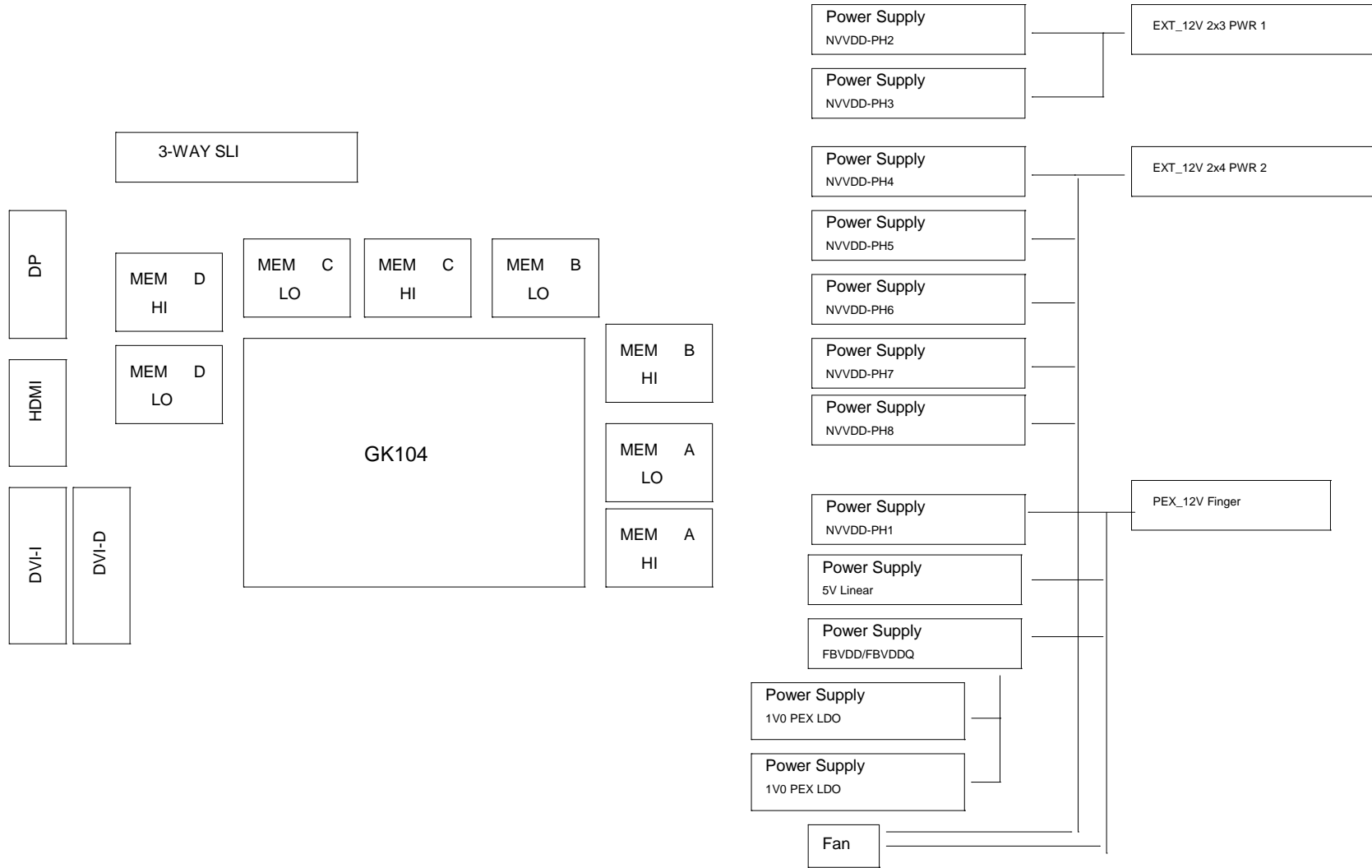
2GB GDDR5, 256b, 64Mx32

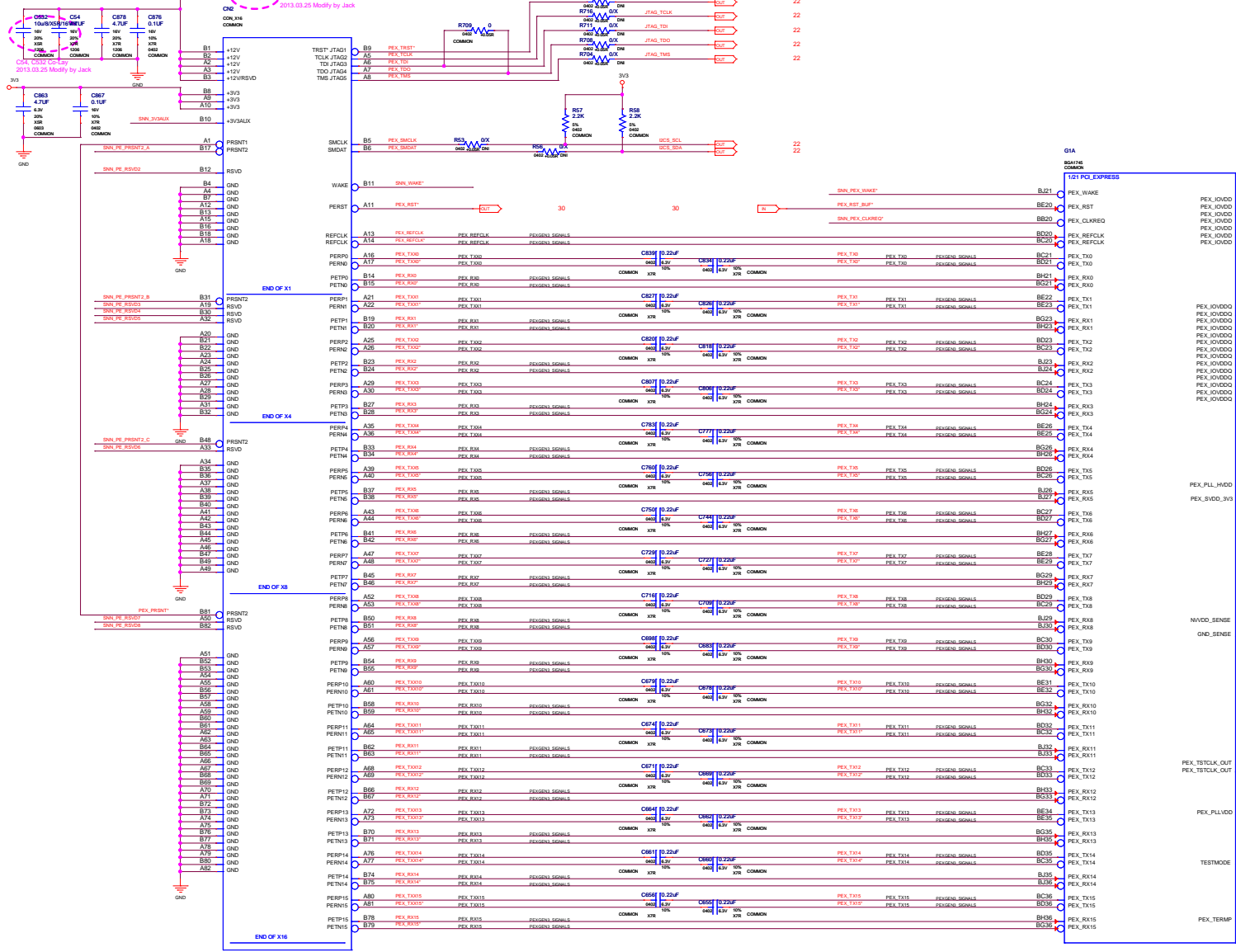
Stacked DVI-I/DVI-D + HDMI + DP

TABLE OF CONTENTS

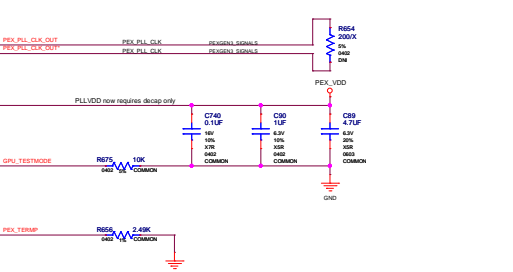
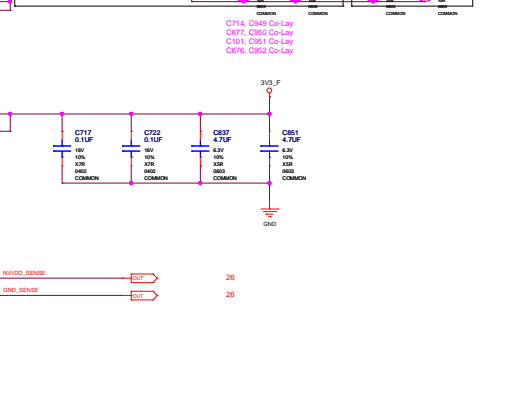
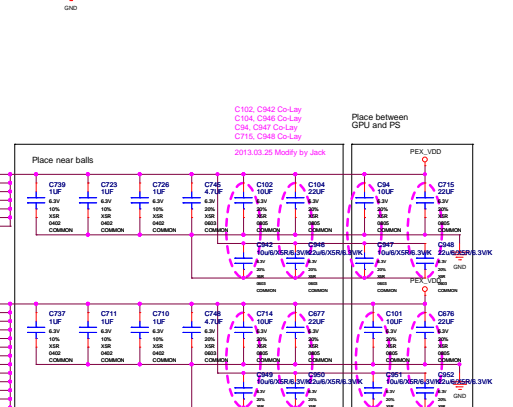
Page	Description
1	Table of Contents
2	Block Diagram
3	PCI Express
4	MEMORY: GPU Partition A/B
5	MEMORY: FBA[31:0]
6	MEMORY: FBA[63:32]
7	MEMORY: FBB[31:0]
8	MEMORY: FBB[63:32]
9	MEMORY: GPU Partition C/D
10	MEMORY: FBC[31:0]
11	MEMORY: FBC[63:32]
12	MEMORY: FBD[31:0]
13	MEMORY: FBD[63:32]
14	GPU PWR and GND
15	GPU Decoupling
16	DACA Interface
17	IFPAB DVI-I-DL
18	IFPEF DVI-D-DL
19	IFPC HDMI
20	IFPD DP
21	MIOA/B Interface
22	MISC1: Fan, Thermal, JTAG, GPIO
23	MISC2: ROM, XTAL, Straps
24	PS: 5V, PEX_VDD
25	PS: FBVDD/Q

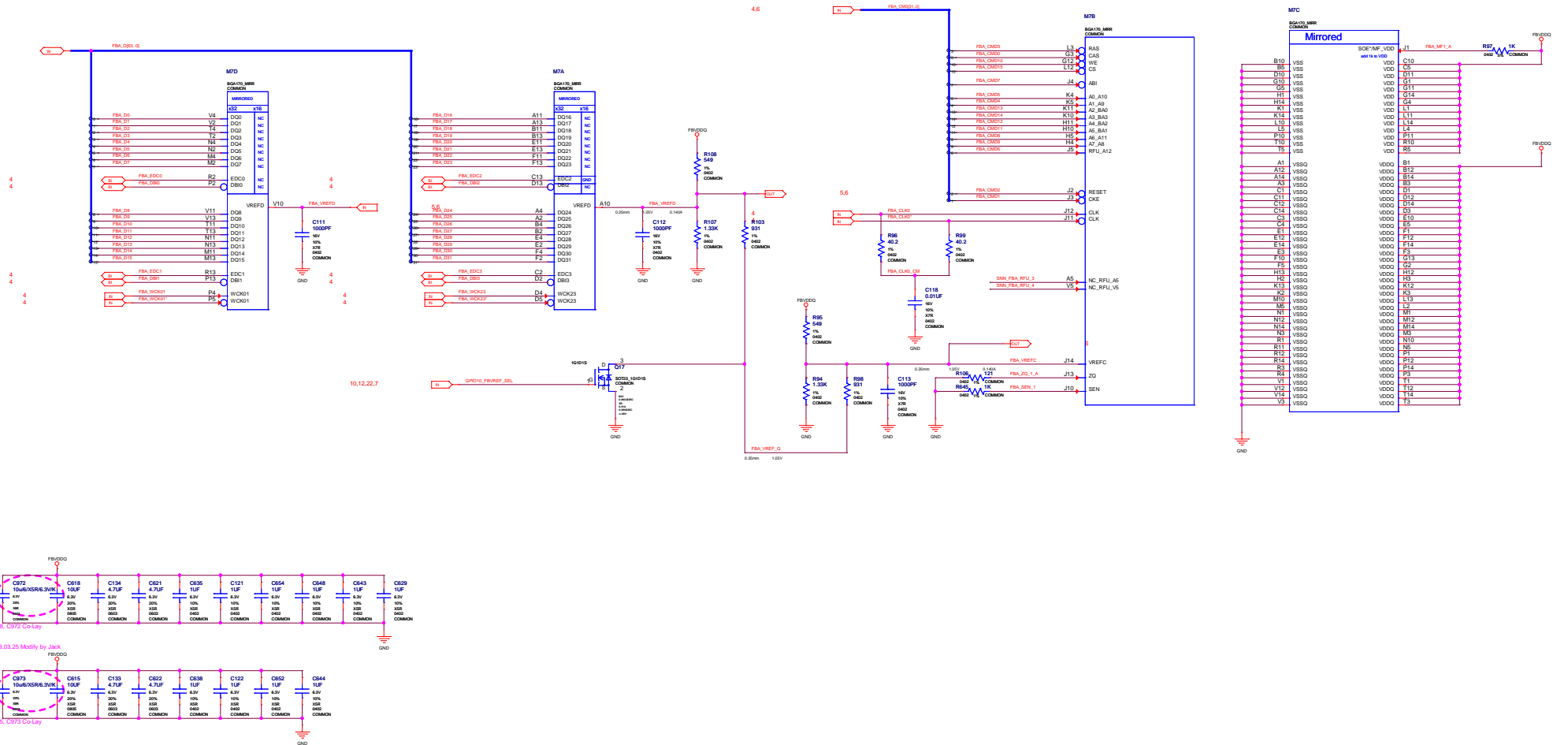
Page	Description
26	PS: NVVDD Controller
27	PS: NVVDD Phase 1,3
28	PS: NVVDD Phase 2,5
29	PS: NVVDD Phase 4
30	PS: Inputs, Filtering, and Monitoring
31	PS: Shutdown
32	PS: 12V Current Steering PSI Control and LED
33	MECH: Bracket/Thermal





VOLTAGE	MAX_CURRENT	MIN_WIDTH
12V	3.5A	20ML
3.3V	3.0A	20ML
0V	8.5A	16ML

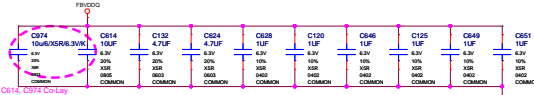
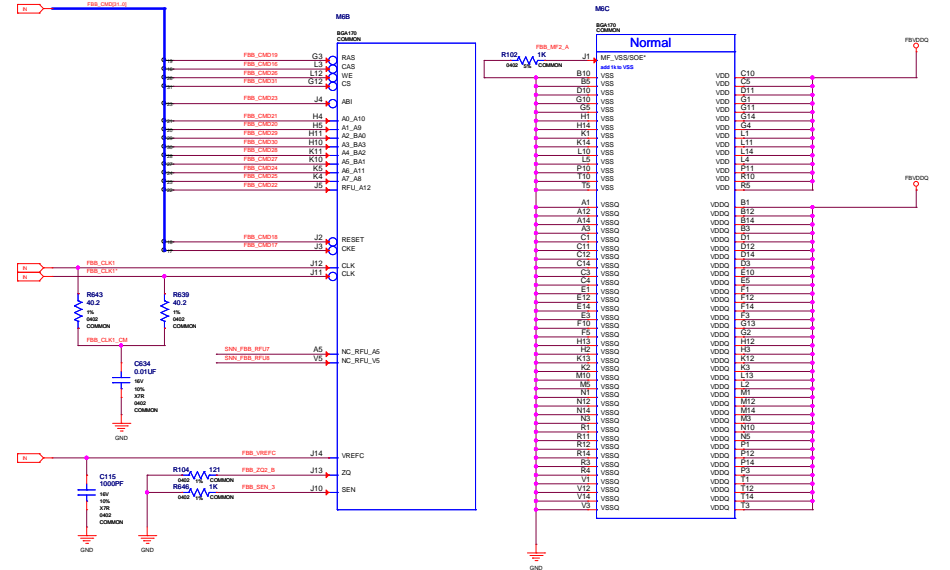
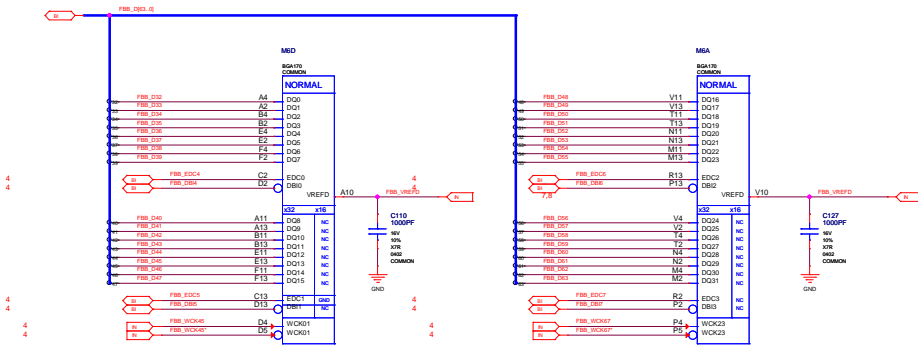




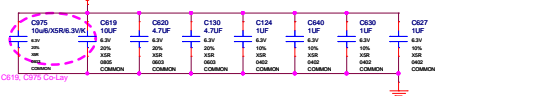
ALL VIA DESIGN SPECIFICATIONS, REFERENCE SPECIFICATIONS, REFERENCE BOARDS, FILES, DRAWINGS, DIAGNOSTICS, LISTS AND OTHER DOCUMENTS OR INFORMATION (TOGETHER AND SEPARATELY, MATERIALS) ARE BEING PROVIDED AS IS. THE MATERIALS MAY CONTAIN DESIGN AND/OR MANUFACTURING VIOLATIONS OR DEVIATIONS FROM INDUSTRY STANDARDS AND SPECIFICATIONS. VIA/ASSEMBLY MARKERS NO WARRANTIES, EXPRESS OR IMPLIED, STATUTORY OR OTHERWISE WITH RESPECT TO THE MATERIALS OR OTHERWISE, AND EXPRESSLY DISCLAIMS ALL IMPLIED WARRANTIES INCLUDING, WITHOUT LIMITATION, THE WARRANTIES OF DESIGN, OF NON-INFRINGEMENT, MERCHANTABILITY OR FITNESS FOR A PARTICULAR PURPOSE, OR ARISING FROM A COURSE OF DEALING, TRADE USAGE, TRADE PRACTICE, OR INDUSTRY STANDARDS.

ASSEMBLY PAGE DETAIL BASE LEVEL GENERIC SCHEMATIC ONLY MEMORY: FBA(31:0)

GIGABYTE		
Doc No:	Memory FBA(0..31)	
Doc Rev:	Document Number:	Rev: 2.0
Doc Date:	GV-N7600C-2GD	
Doc Date:	Monday, June 18, 2013	Sheet 5 of 33



C114, C874 LCP Lay

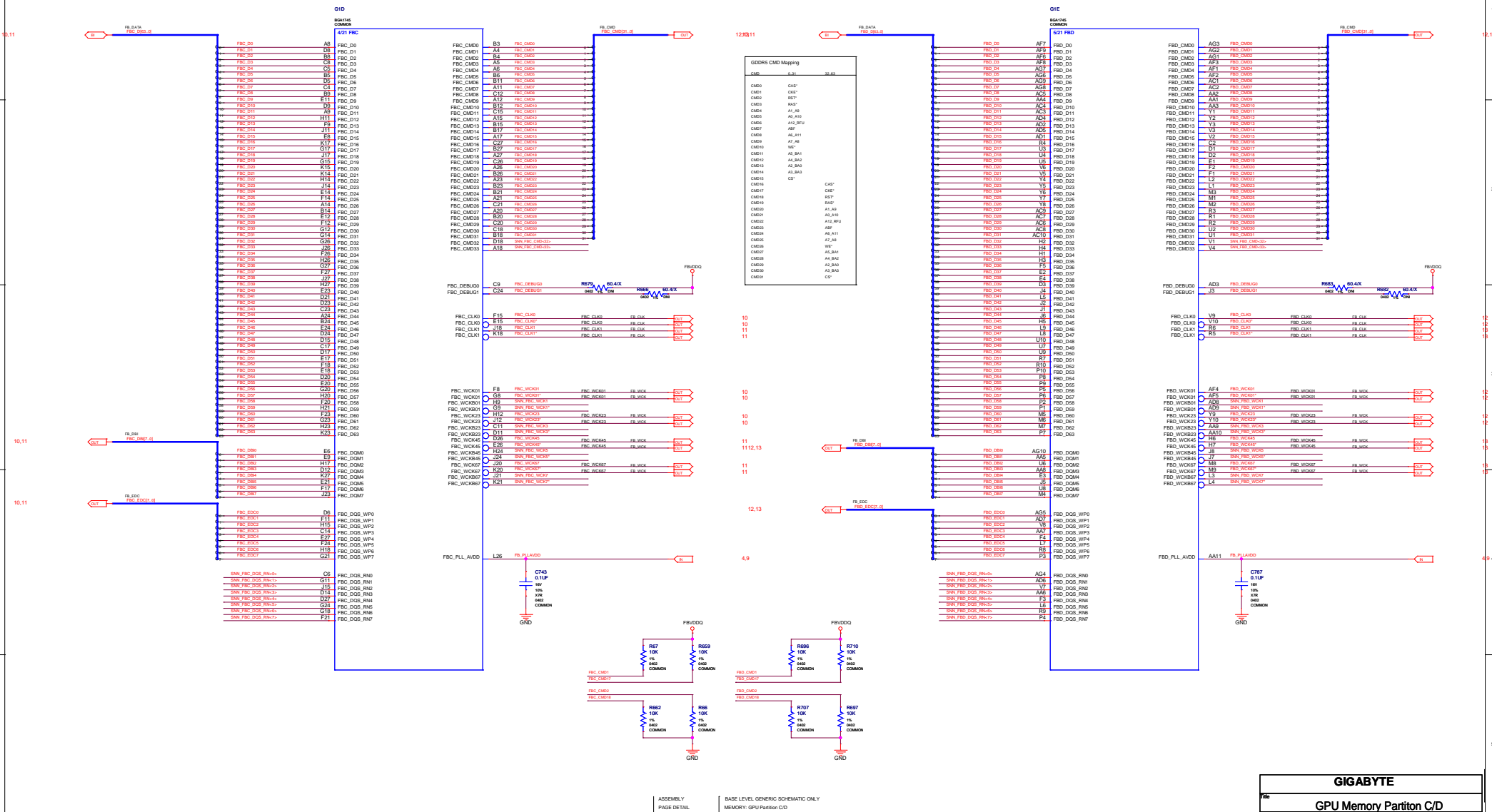


C110, C875 LCP Lay

ALL VIA DESIGN SPECIFICATIONS, REFERENCE SPECIFICATIONS, REFERENCE BOARDS, FILES, DRAWINGS, DIAGNOSTICS, LISTS AND OTHER DOCUMENTS OR INFORMATION (TOGETHER AND SEPARATELY, MATERIALS) ARE BEING PROVIDED AS IS. THE MATERIALS MAY CONTAIN UNKNOWN AND UNANNOUNCED VIOLATIONS OR DEVIATIONS FROM INDUSTRY STANDARDS AND SPECIFIC INFORMATION. VIA MAKES NO WARRANTIES, EXPRESS OR IMPLIED, STATUTORY OR OTHERWISE WITH RESPECT TO THE MATERIALS OR OTHERWISE, AND EXPRESSLY DISCLAIMS ALL IMPLIED WARRANTIES INCLUDING, WITHOUT LIMITATION, THE WARRANTIES OF DESIGN, OF NON-INFRINGEMENT, MERCHANTABILITY OR FITNESS FOR A PARTICULAR PURPOSE, OR ARISING FROM A COURSE OF DEALING, TRADE USAGE, TRADE PRACTICE, OR INDUSTRY STANDARDS.

ASSEMBLY PAGE DETAIL BASE LEVEL GENERIC SCHEMATIC ONLY MEMORY: FBB(32..32)

GIGABYTE		
Doc No:	Memory FBB(32..63)	
Doc Rev:	Document Number:	Rev: 2.0
Doc Date:	GV-N7600C-2GD	
Doc Date:	Monday, June 15, 2013	Page 8 of 33



GDOS CMD Mapping

Cmd	GDOS	Cmd	GDOS
CM00	CASP	CM00	CASP
CM01	DMT	CM01	DMT
CM02	RSIT	CM02	RSIT
CM03	RSOP	CM03	RSOP
CM04	AI_A0	CM04	AI_A0
CM05	AI_A0	CM05	AI_A0
CM06	AI_A0	CM06	AI_A0
CM07	AI_A0	CM07	AI_A0
CM08	AI_A0	CM08	AI_A0
CM09	AI_A0	CM09	AI_A0
CM10	AI_A0	CM10	AI_A0
CM11	AI_A0	CM11	AI_A0
CM12	AI_A0	CM12	AI_A0
CM13	AI_A0	CM13	AI_A0
CM14	AI_A0	CM14	AI_A0
CM15	AI_A0	CM15	AI_A0
CM16	AI_A0	CM16	AI_A0
CM17	AI_A0	CM17	AI_A0
CM18	AI_A0	CM18	AI_A0
CM19	AI_A0	CM19	AI_A0
CM20	AI_A0	CM20	AI_A0
CM21	AI_A0	CM21	AI_A0
CM22	AI_A0	CM22	AI_A0
CM23	AI_A0	CM23	AI_A0
CM24	AI_A0	CM24	AI_A0
CM25	AI_A0	CM25	AI_A0
CM26	AI_A0	CM26	AI_A0
CM27	AI_A0	CM27	AI_A0
CM28	AI_A0	CM28	AI_A0
CM29	AI_A0	CM29	AI_A0
CM30	AI_A0	CM30	AI_A0
CM31	AI_A0	CM31	AI_A0
CM32	AI_A0	CM32	AI_A0
CM33	AI_A0	CM33	AI_A0
CM34	AI_A0	CM34	AI_A0
CM35	AI_A0	CM35	AI_A0
CM36	AI_A0	CM36	AI_A0
CM37	AI_A0	CM37	AI_A0
CM38	AI_A0	CM38	AI_A0
CM39	AI_A0	CM39	AI_A0
CM40	AI_A0	CM40	AI_A0
CM41	AI_A0	CM41	AI_A0
CM42	AI_A0	CM42	AI_A0
CM43	AI_A0	CM43	AI_A0
CM44	AI_A0	CM44	AI_A0
CM45	AI_A0	CM45	AI_A0
CM46	AI_A0	CM46	AI_A0
CM47	AI_A0	CM47	AI_A0
CM48	AI_A0	CM48	AI_A0
CM49	AI_A0	CM49	AI_A0
CM50	AI_A0	CM50	AI_A0
CM51	AI_A0	CM51	AI_A0
CM52	AI_A0	CM52	AI_A0
CM53	AI_A0	CM53	AI_A0
CM54	AI_A0	CM54	AI_A0
CM55	AI_A0	CM55	AI_A0
CM56	AI_A0	CM56	AI_A0
CM57	AI_A0	CM57	AI_A0
CM58	AI_A0	CM58	AI_A0
CM59	AI_A0	CM59	AI_A0
CM60	AI_A0	CM60	AI_A0
CM61	AI_A0	CM61	AI_A0
CM62	AI_A0	CM62	AI_A0
CM63	AI_A0	CM63	AI_A0
CM64	AI_A0	CM64	AI_A0
CM65	AI_A0	CM65	AI_A0
CM66	AI_A0	CM66	AI_A0
CM67	AI_A0	CM67	AI_A0
CM68	AI_A0	CM68	AI_A0
CM69	AI_A0	CM69	AI_A0
CM70	AI_A0	CM70	AI_A0
CM71	AI_A0	CM71	AI_A0
CM72	AI_A0	CM72	AI_A0
CM73	AI_A0	CM73	AI_A0
CM74	AI_A0	CM74	AI_A0
CM75	AI_A0	CM75	AI_A0
CM76	AI_A0	CM76	AI_A0
CM77	AI_A0	CM77	AI_A0
CM78	AI_A0	CM78	AI_A0
CM79	AI_A0	CM79	AI_A0
CM80	AI_A0	CM80	AI_A0
CM81	AI_A0	CM81	AI_A0
CM82	AI_A0	CM82	AI_A0
CM83	AI_A0	CM83	AI_A0
CM84	AI_A0	CM84	AI_A0
CM85	AI_A0	CM85	AI_A0
CM86	AI_A0	CM86	AI_A0
CM87	AI_A0	CM87	AI_A0
CM88	AI_A0	CM88	AI_A0
CM89	AI_A0	CM89	AI_A0
CM90	AI_A0	CM90	AI_A0
CM91	AI_A0	CM91	AI_A0
CM92	AI_A0	CM92	AI_A0
CM93	AI_A0	CM93	AI_A0
CM94	AI_A0	CM94	AI_A0
CM95	AI_A0	CM95	AI_A0
CM96	AI_A0	CM96	AI_A0
CM97	AI_A0	CM97	AI_A0
CM98	AI_A0	CM98	AI_A0
CM99	AI_A0	CM99	AI_A0
CM100	AI_A0	CM100	AI_A0

GIGABYTE

Doc: **GPU Memory Partiton C/D**

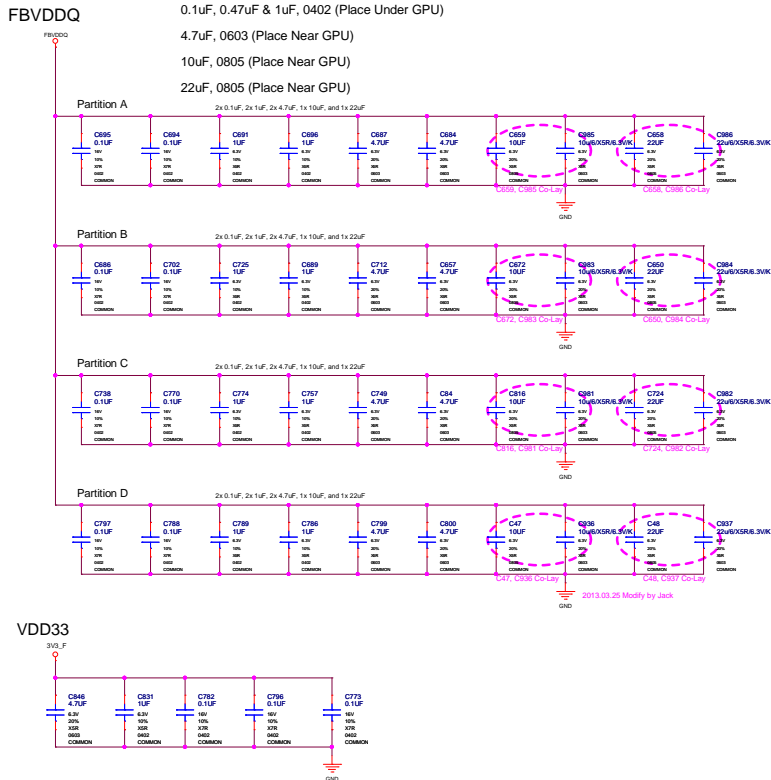
Customer: **GV-N7600C-2GD**

Date: **Monday, June 15, 2015**

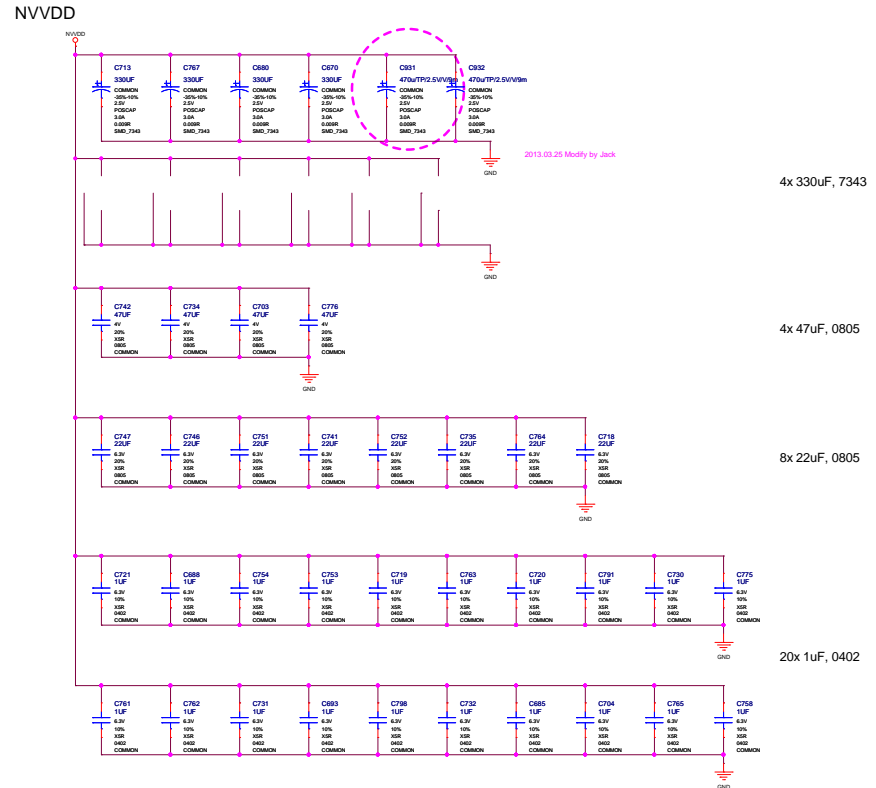
Page: **9 of 33**

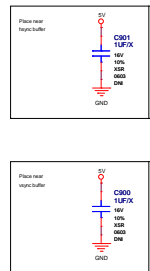
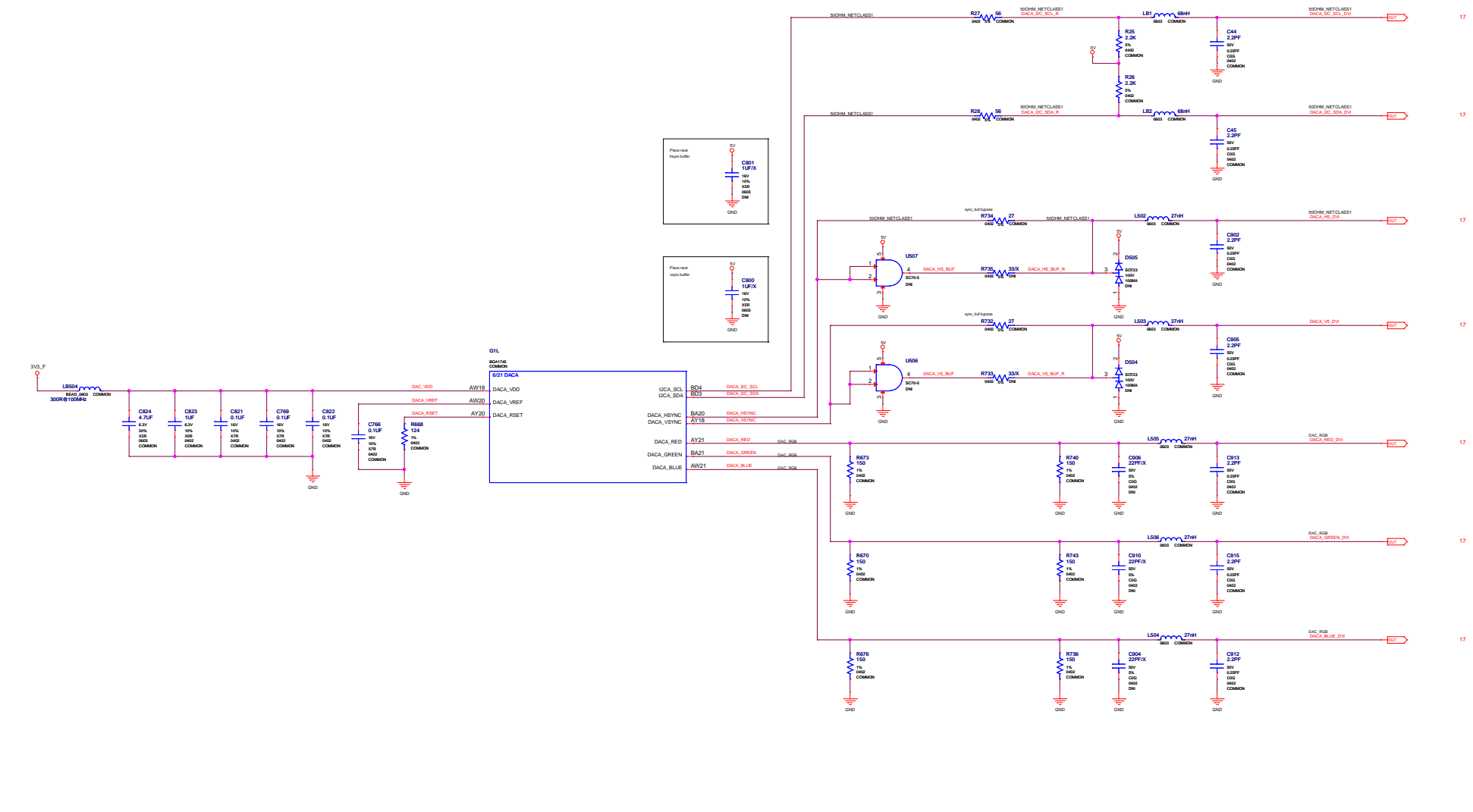
ALL NVIDIA DESIGN SPECIFICATIONS, REFERENCE BOARDS, FILES, DRAWINGS, DIAGNOSTICS, LISTS AND OTHER DOCUMENTS OR INFORMATION (TOGETHER AND SEPARATELY, "MATERIALS") ARE BEING PROVIDED "AS IS". THE MATERIALS MAY CONTAIN DESIGN OR MANUFACTURING VIOLATIONS OR DEVIATIONS OF INDUSTRY STANDARDS, AND SUCH VIOLATIONS OR DEVIATIONS ARE NOT EXPRESSLY DISCLAIMED. NVIDIA MAKES NO WARRANTY, REPRESENTATION OR OTHERWISE, STATUTORY OR OTHERWISE, WITH RESPECT TO THE MATERIALS OR OTHERWISE, AND EXPRESSLY DISCLAIMS ALL IMPLIED WARRANTIES INCLUDING, WITHOUT LIMITATION, THE WARRANTIES OF DESIGN, OF NON-INFRINGEMENT, OF MERCHANTABILITY, OF ACCURACY, OF COMPLETENESS, OF FITNESS FOR A PARTICULAR PURPOSE, OF ARISING FROM A COURSE OF DEALING, TRADE USAGE, TRADE PRACTICE, OR INDUSTRY STANDARDS.

Based on GB2-X GDDR5 FBVDDQ Decap Guideline



NVVDD Decoupling caps. Place under GPU.





NET	VOLTAGE	MAX_CURRENT	MIN_WIDTH
DAC_VDD	3.3V	0.25A	18MIL

ASSEMBLY PAGE DETAIL
 BASE LEVEL SCHEMATIC ONLY
 DACA Interface

ALL INMATA DESIGN SPECIFICATIONS, REFERENCE SPECIFICATIONS, REFERENCE BOARDS, FILES, DRAWINGS, DIAGNOSTICS, LISTS AND OTHER DOCUMENTS OR INFORMATION (TOGETHER AND SEPARATELY, MATERIALS) ARE BEING PROVIDED AS IS. THE MATERIALS MAY CONTAIN INMATA AND UNKNOWN VIOLATIONS OR DEVIATIONS OF INDUSTRY STANDARDS AND SPECIFICATIONS. INMATA MAKES NO WARRANTIES, EXPRESSED, IMPLIED, STATUTORY OR OTHERWISE WITH RESPECT TO THE MATERIALS OR OTHERWISE, AND EXPRESSLY DISCLAIMS ALL IMPLIED WARRANTIES INCLUDING, WITHOUT LIMITATION, THE WARRANTIES OF DESIGN, OF NON-INFRINGEMENT, MERCHANTABILITY OR FITNESS FOR A PARTICULAR PURPOSE, OR ARISING FROM A COURSE OF DEALING, TRADE USAGE, TRADE PRACTICE, OR INDUSTRY STANDARDS.

GIGABYTE	
DACA Interface	
Doc. No.	Document Number
Customer	GV-N7600C-2GD
Doc. Date	Monday, June 05, 2013
Page	16 of 33

1

2

3

4

5

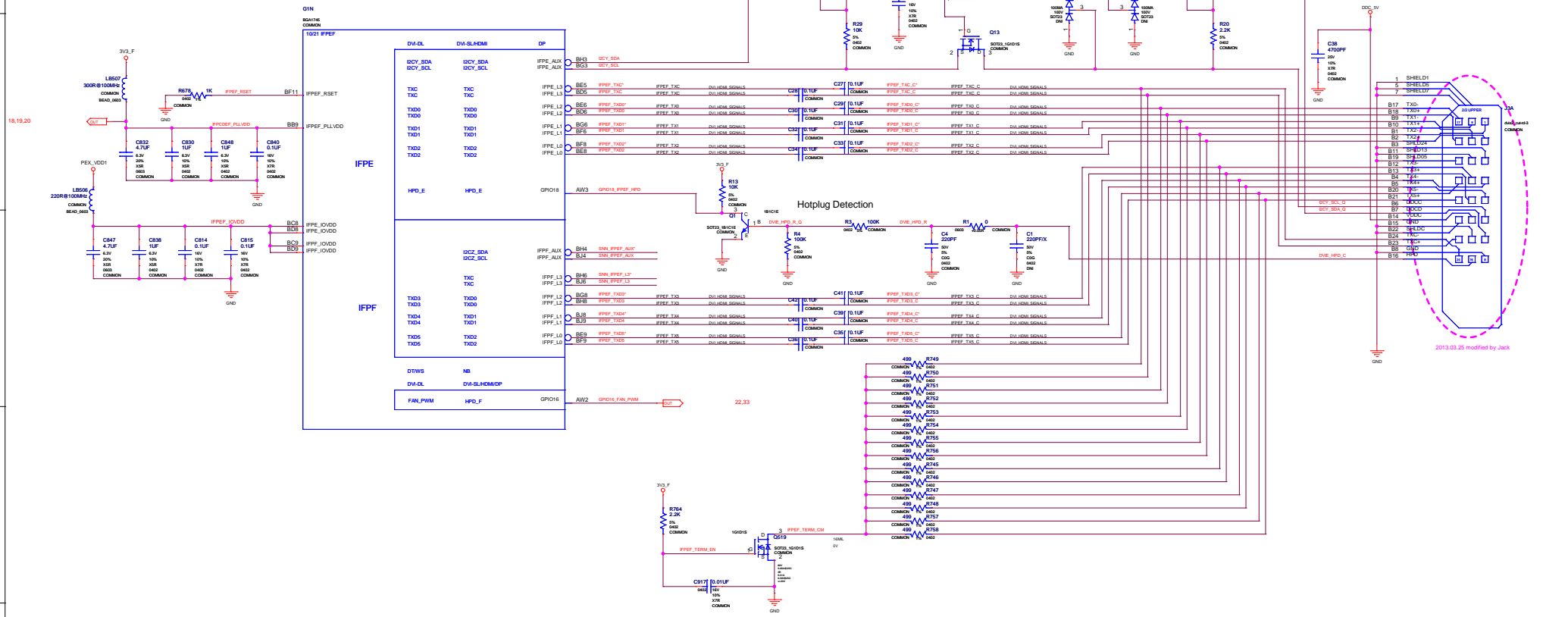
1

2

3

4

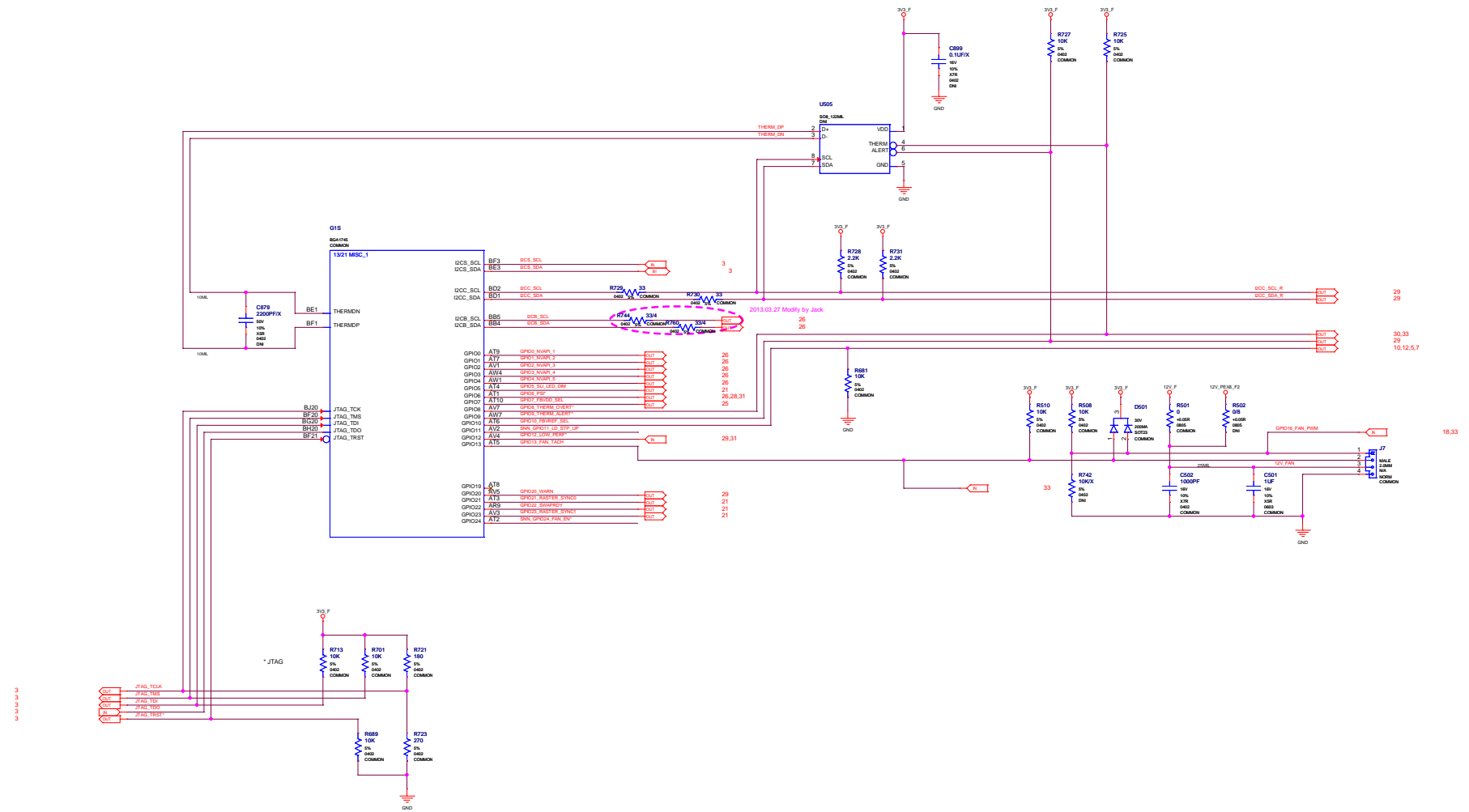
5



ALL NVIDIA DESIGN SPECIFICATIONS, REFERENCE BOARDS, FILES, DRAWINGS, DIAGNOSTICS, LISTS AND OTHER DOCUMENTS OR INFORMATION (TOGETHER AND SEPARATELY, MATERIALS) ARE BEING PROVIDED AS IS. THE MATERIALS MAY CONTAIN NVIDIA AND/OR UNKNOWN VIOLATIONS OR DEVIATIONS OF INDUSTRY STANDARDS AND SPECIFICATIONS. NVIDIA MAKES NO WARRANTIES, EXPRESS OR IMPLIED, STATUTORY OR OTHERWISE WITH RESPECT TO THE MATERIALS OR OTHERWISE, AND EXPRESSLY DISCLAIMS ALL IMPLIED WARRANTIES INCLUDING, WITHOUT LIMITATION, THE WARRANTIES OF DESIGN, OF NON-INFRINGEMENT, MERCHANTABILITY OR FITNESS FOR A PARTICULAR PURPOSE, OR ARISING FROM A COURSE OF DEALING, TRADE USAGE, TRADE PRACTICE, OR INDUSTRY STANDARDS.

ASSEMBLY PAGE DETAIL
 BASE LEVEL GENERIC SCHEMATIC ONLY
 IFPEF DVI-D-DL

GIGABYTE	
File	IFPEF DVI-D
Doc	Document Number
Customer	GV-N760OC-2GD
Date	Monday, June 18, 2013
Sheet	18 of 33



3
3
3
3
3

ASSEMBLY PAGE DETAIL | BASE LEVEL GENERIC SCHEMATIC ONLY
MISC1: Fan, Thermal, JTAG, GPIO

ALL VIA DESIGN SPECIFICATIONS, REFERENCE SPECIFICATIONS, REFERENCE BOARDS, FILES, DRAWINGS, DIAGNOSTICS, LISTS AND OTHER DOCUMENTS OR INFORMATION (TOGETHER AND SEPARATELY, MATERIALS) ARE BEING PROVIDED AS IS. THE MATERIALS MAY CONTAIN UNKNOWN AND UNKNOWN VIOLATIONS OR DEVIATIONS OF INDUSTRY STANDARDS AND SPECIFICATIONS. VIA VIA MAKES NO WARRANTIES, EXPRESSED, IMPLIED, STATUTORY OR OTHERWISE WITH RESPECT TO THE MATERIALS OR OTHERWISE, AND EXPRESSLY DISCLAIMS ALL IMPLIED WARRANTIES INCLUDING, WITHOUT LIMITATION, THE WARRANTIES OF DESIGN, OF NON-INFRINGEMENT, MERCHANTABILITY OR FITNESS FOR A PARTICULAR PURPOSE, OR ARISING FROM A COURSE OF DEALING, TRADE USAGE, TRADE PRACTICE, OR INDUSTRY STANDARDS.

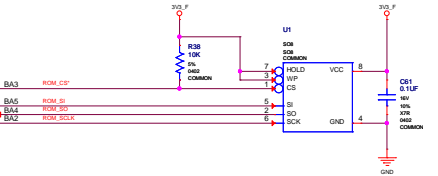
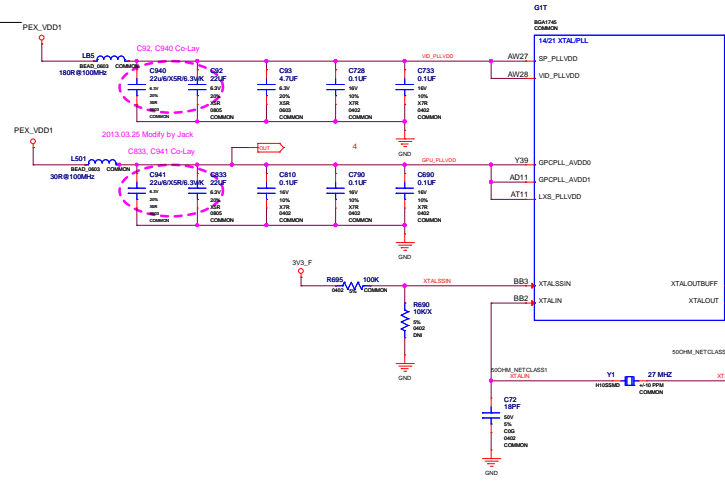
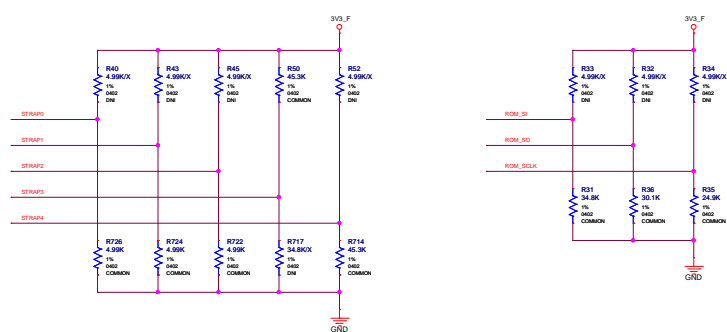
GIGABYTE	
Doc #	FAN Thermal JTAG
Doc Rev	20
Customer	GV-N7600C-2GD
Date	Monday, June 18, 2013
Sheet	22 of 33

STRAP0	USER_BIT [3:0]*	0000*	5K PD*
STRAP1	3GPIO_PADCFG_LUT_ADR*	0000*	5K PD Desktop*
STRAP2	PCI_DEVID [3:0]*	0000 - (0x1180)*	5K PD -400 GPU*
STRAP3	SOR_EXPOSED [3:0]*	1111*	45K PU*
STRAP4	DP_PLL_VDD_33V*	1* FOR 3_3V*	
	PEX_MAX_SPEED*	1* FOR GEN2/3*	45K PD*
	PEX_SPD_CHANGE_GEN3*	1* ENABLED*	
	*		
	RAMCFG[0]*	0*	
	RAMCFG[1]*	1*	
ROM_SI	RAMCFG[2]*	1*	35K PD* <small>0110 for 64Mx32 256-bit Hynix for 512.0 primary memory</small>
	RAMCFG[3]*	0*	
	VGA_DEVICE*	1*	
ROM_SO	SMB_ALT_ADDR*	0*	10k PU*
	FB[0]_APERTURE_SIZE*	0* For 256MB*	
	FB[1]_APERTURE_SIZE*	1* For 256MB*	
	PEX_PLL_EN_TERM100*	0* DISABLED*	
	PCI_DEVID_EXT[5]*	0* For 0x1180*	25K PD*
ROM_SCLK	SUB_VENDOR*	1* Dedicated BIOS*	
	PCI_DEVID_EXT[4]*	0* For 0x1180*	

	GND	3V3
5k	0000	1000
10k	0001	1001
15k	0010	1010
20k	0011	1011
25k	0100	1100
30k	0101	1101
35k	0110	1110
45k	0111	1111

CFG[3:0] Config	Width	Vendor
0000	Reserved	
0001	32Mx32 256-bit	Elpida
0010	32Mx32 256-bit	Hynix
0011	32Mx32 256-bit	Samsung
0100	Reserved	
0101	64Mx32 256-bit	Elpida
0110	64Mx32 256-bit	Hynix
0111	64Mx32 256-bit	Samsung
1000	Reserved	
1001	32Mx32 192-bit	Elpida
1010	32Mx32 192-bit	Hynix
1011	32Mx32 192-bit	Samsung
1100	Reserved	
1101	64Mx32 192-bit	Elpida
1110	64Mx32 192-bit	Hynix
1111	64Mx32 192-bit	Samsung

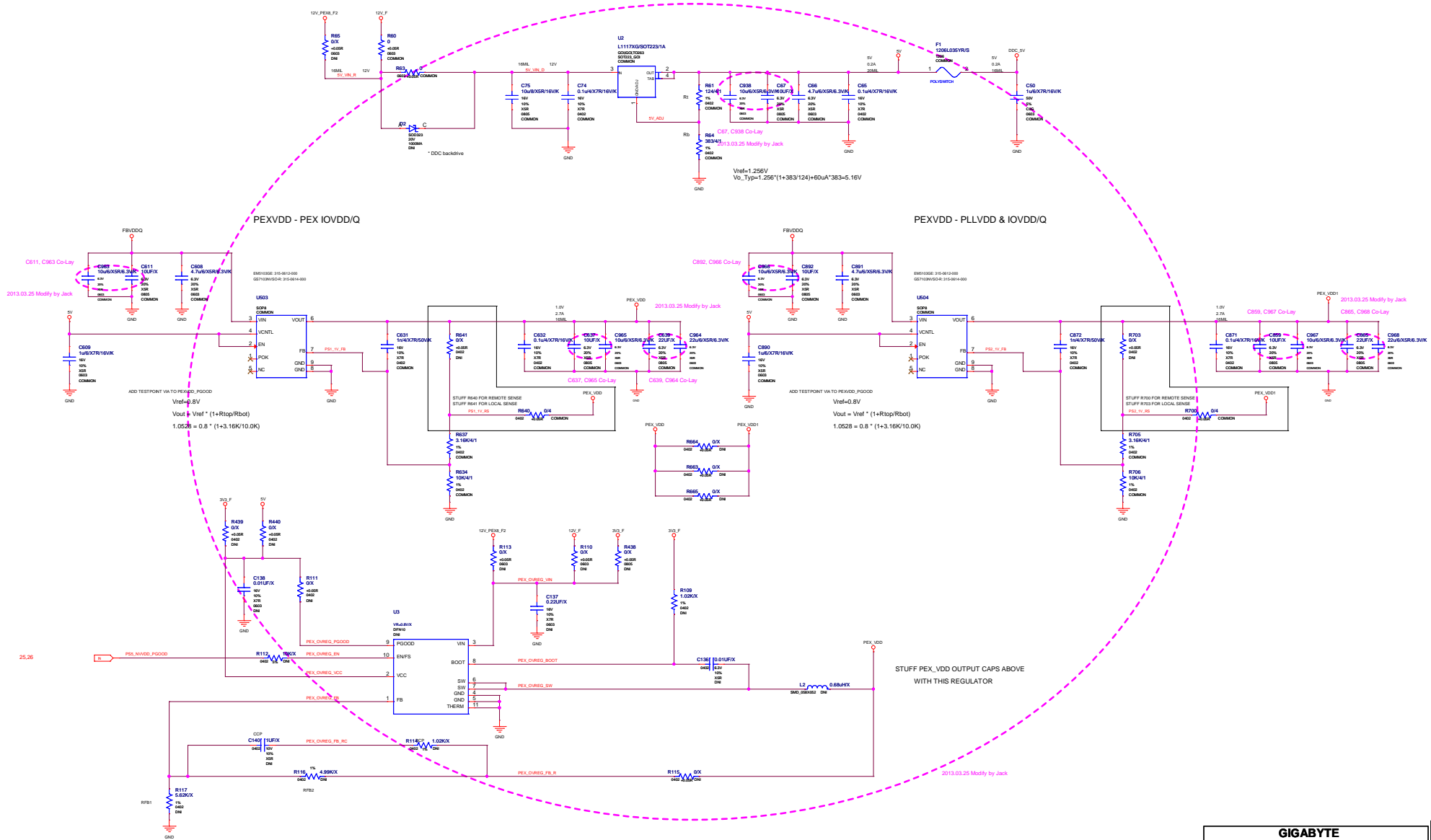
	MLT1_STRAP_REF0_GND
BINARY PRODUCTION	NC
BINARY BRINDUP	NC
MULTI-LEVEL	40k PU TO GND



XTALSSN	XTALOUTBUFF	Inverted PWM %
PU	PU	66 (20% HZ)
PD	PD	50 (50% HZ)
PD	PU	33 (80% HZ)
PD	PD	0 (100% HZ)

ALL VIA DESIGN SPECIFICATIONS, REFERENCE SPECIFICATIONS, REFERENCE BOARDS, FILES, DRAWINGS, DIAGNOSTICS, LISTS AND OTHER DOCUMENTS OR INFORMATION (TOGETHER AND SEPARATELY, MATERIALS) ARE BEING PROVIDED AS IS. THE MATERIALS MAY CONTAIN DESIGN AND/OR MANUFACTURING VIOLATIONS OR DEVIATIONS OF INDUSTRY STANDARDS AND SPECIFICATIONS. VIA/ASIA MAKES NO WARRANTIES, EXPRESSED, IMPLIED, STATUTORY OR OTHERWISE WITH RESPECT TO THE MATERIALS OR OTHERWISE. VIA/ASIA EXPRESSLY DISCLAIMS ALL IMPLIED WARRANTIES INCLUDING, WITHOUT LIMITATION, THE WARRANTIES OF DESIGN, OF NON-INFRINGEMENT, MERCHANTABILITY OR FITNESS FOR A PARTICULAR PURPOSE, OR ARISING FROM A COURSE OF DEALING, TRADE USAGE, TRADE PRACTICE, OR INDUSTRY STANDARDS.

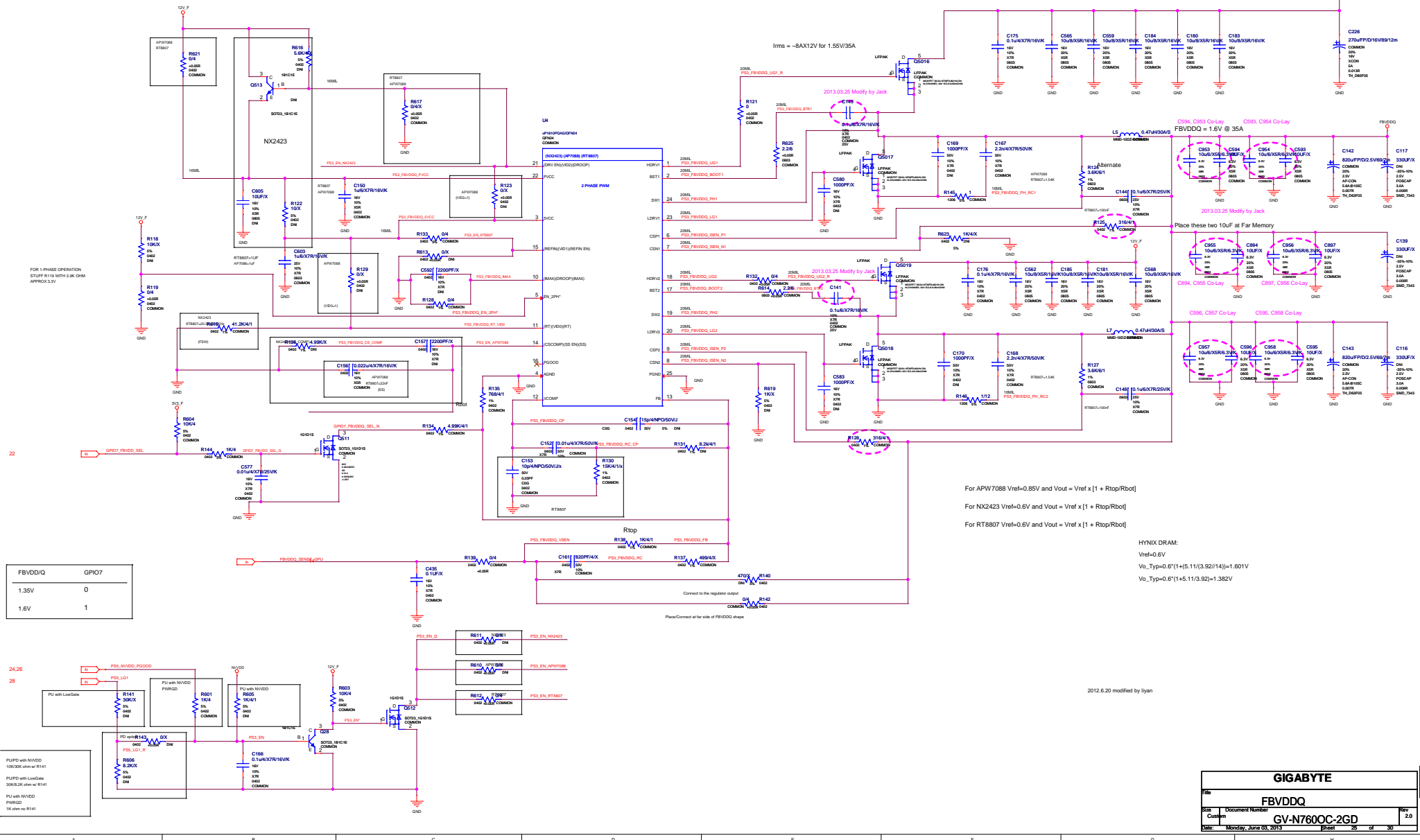
GIGABYTE	
ROM Xtal Straps	
Doc No	Document Number
Customer	GV-N7600C-2GD
Date	Monday, June 05, 2013
Page	23 of 33



ALL MEDIA DESIGN SPECIFICATIONS, REFERENCE SPECIFICATIONS, REFERENCE BOARDS, FILES, DRAWINGS, DIAGNOSTICS, LISTS AND OTHER DOCUMENTS (TOGETHER AND SEPARATELY, MATERIALS) ARE BEING PROVIDED AS IS. THE MATERIALS MAY CONTAIN ERRORS AND UNUSUAL NOTATIONS OR DEVIATIONS OF INDUSTRY STANDARDS AND SPECIFICATIONS. IMPLIES, STATUTORY OR OTHERWISE WITH RESPECT TO THE MATERIALS OR OTHERWISE. AND EXPRESSLY DISCLAIMS ALL IMPLIED WARRANTIES INCLUDING, WITHOUT LIMITATION, THE WARRANTIES OF DESIGN, OF NON-INFRINGEMENT, MERCHANTABILITY OR FITNESS FOR A PARTICULAR PURPOSE, OR ARISING FROM A COURSE OF DEALING, TRADE USAGE, TRADE PRACTICE, OR INDUSTRY STANDARDS.

ASSEMBLY PAGE DETAIL
 BASE LEVEL GENERIC SCHEMATIC ONLY
 PS: 5V, PEX_VDD

GIGABYTE	
Doc No	5V PEX_VDD
Doc Revision	1
Doc Date	Monday, June 03, 2013
Doc Title	GV-N7600C-2GD
Doc No	20
Doc Date	24 of 30



FOR 1-PHASE OPERATION
STUFF R119 WITH 3.3K OHM
APW7088 3.3V

FBVDD/Q	GPIO7
1.35V	0
1.6V	1

For APW7088 Vref=0.85V and Vout = Vref x [1 + Rtop/Rbot]
 For NX2423 Vref=0.6V and Vout = Vref x [1 + Rtop/Rbot]
 For RT8807 Vref=0.6V and Vout = Vref x [1 + Rtop/Rbot]

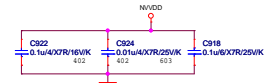
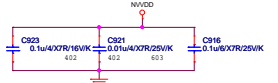
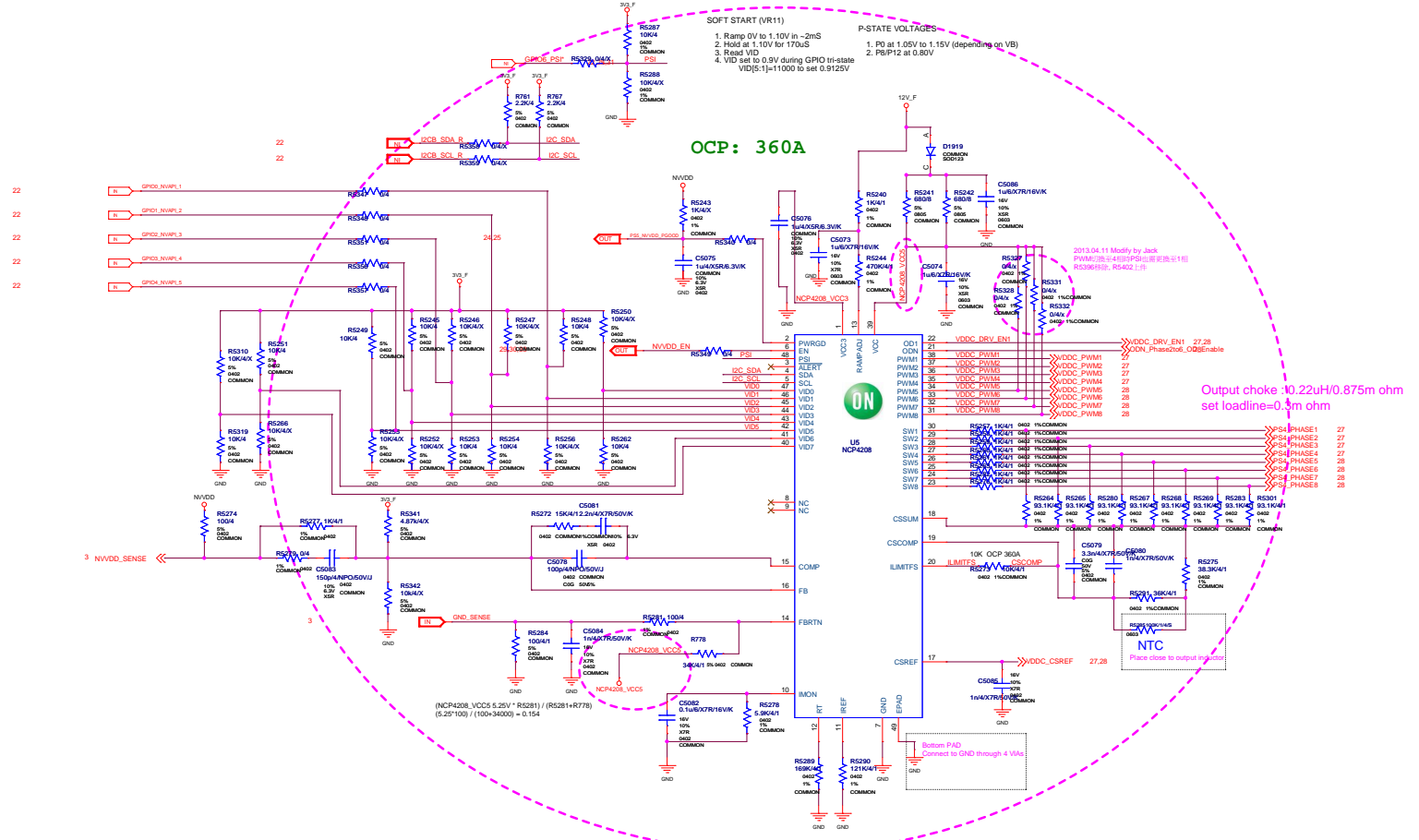
HYNX DRAM:
 Vref=0.8V
 Vo_Type=0.6*(1+(5.11/(3.92/14))=1.601V
 Vo_Type=0.6*(1+(5.11/3.92)=1.382V

2012.6.20 modified by liyan

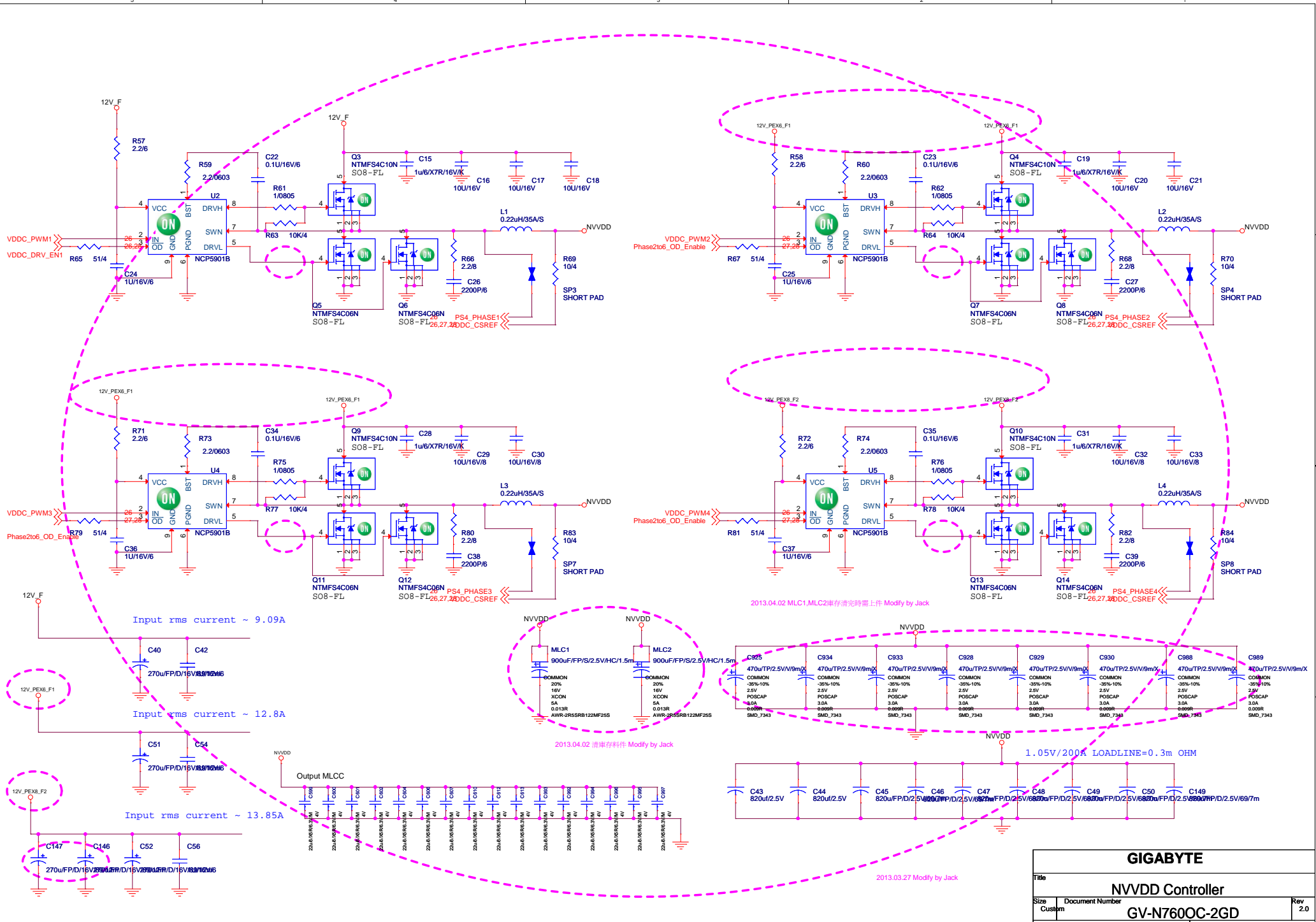
GIGABYTE	
FBVDDQ	
Doc#	Document Number
Customer	GV-N7600C-2GD
Date	Monday, June 18, 2013
Page	25 of 30

VID Table

GPIO7	GPIO6	GPIO5	GPIO2	GPIO17	VOUT
VID_5	VID_4	VID_3	VID_2	VID_1	
0	0	0	0	0	1.2125V
0	0	0	0	1	1.2000V
0	0	0	1	0	1.1875V
0	0	0	1	1	1.1750V
0	0	1	0	0	1.1625V
0	0	1	0	1	1.1500V
0	0	1	1	0	1.1375V
0	0	1	1	1	1.1250V
0	1	0	0	0	1.1125V
0	1	0	0	1	1.1000V
0	1	0	1	0	1.0875V
0	1	0	1	1	1.0750V
0	1	1	0	0	1.0625V
0	1	1	0	1	1.0500V
0	1	1	1	0	1.0375V
0	1	1	1	1	1.0250V
1	0	0	0	0	1.0125V
1	0	0	0	1	1.0000V
1	0	0	1	0	0.9875V
1	0	0	1	1	0.9750V
1	0	1	0	0	0.9625V
1	0	1	0	1	0.9500V
1	0	1	1	0	0.9375V
1	0	1	1	1	0.9250V
1	1	0	0	0	0.9125V
1	1	0	0	1	0.9000V
1	1	0	1	0	0.8875V
1	1	0	1	1	0.8750V
1	1	1	0	0	0.8625V
1	1	1	0	1	0.8500V
1	1	1	1	0	0.8375V
1	1	1	1	1	0.8250V



2013.03.27 Modify by Jack

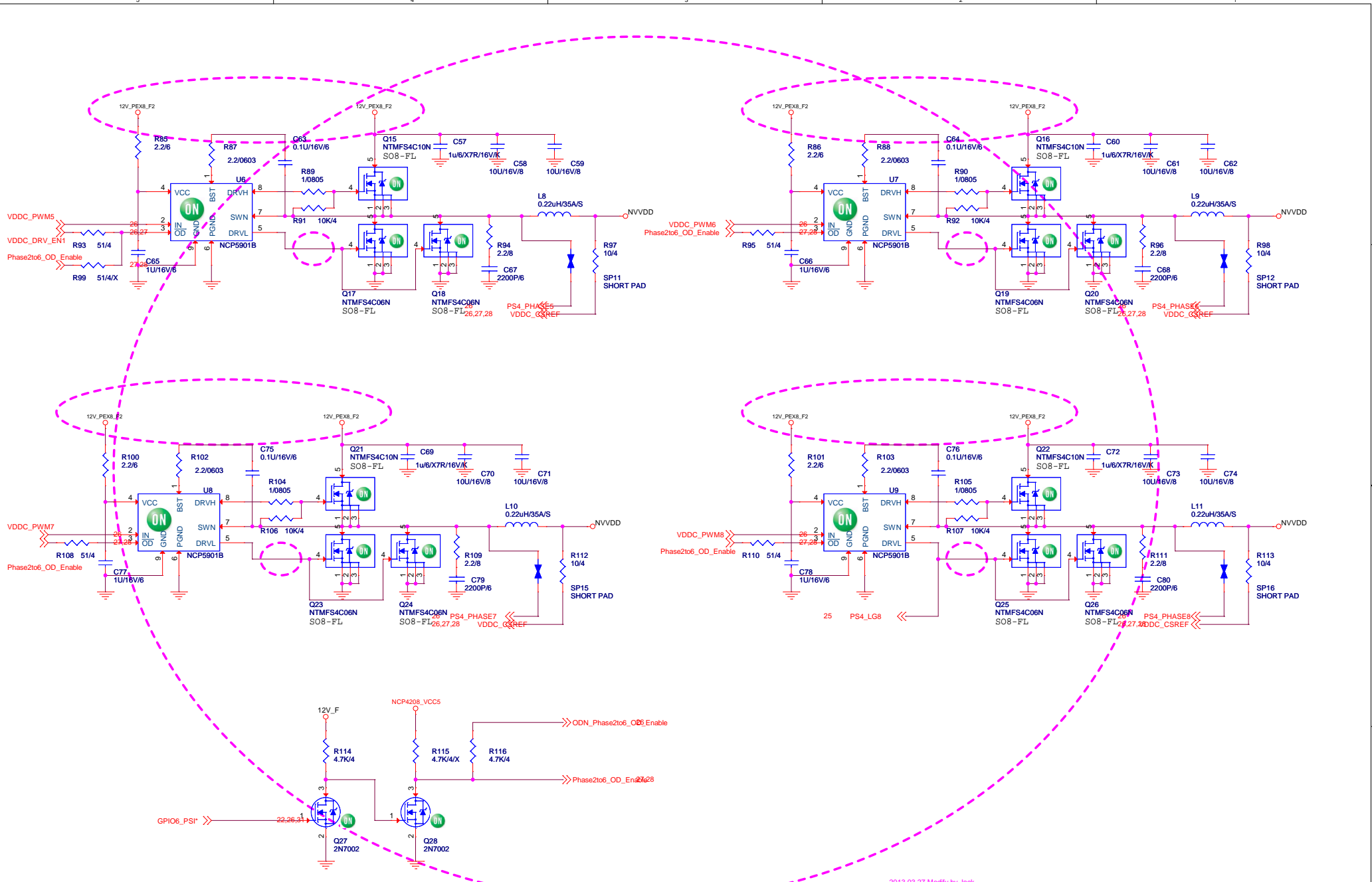


2013.04.02 MLC1,MLC2清除時需上件 Modify by Jack

2013.04.02 清潔零件件 Modify by Jack

2013.03.27 Modify by Jack

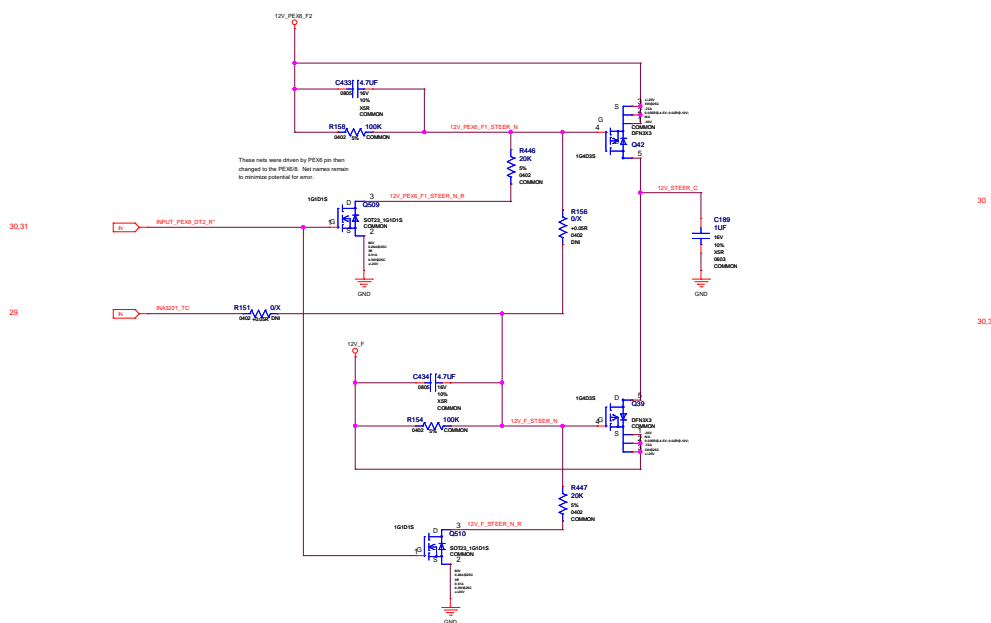
GIGABYTE		
NVDD Controller		
Title	Document Number	Rev
	GV-N7600C-2GD	2.0
Date: Monday, June 03, 2013	Sheet 27	of 30



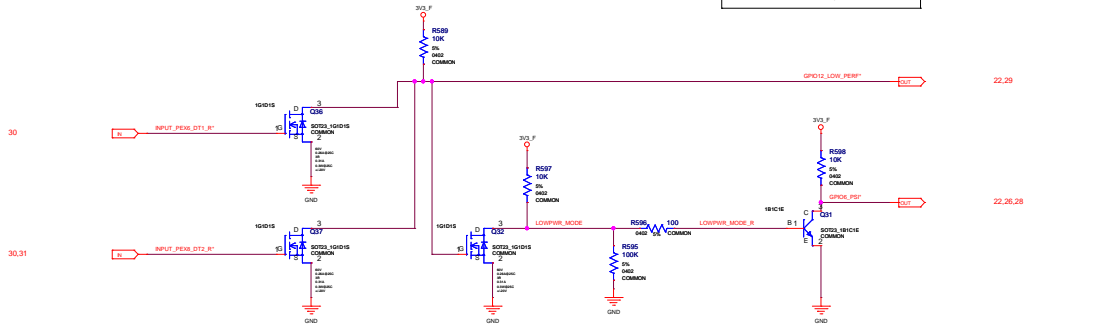
2013.03.27 Modify by Jack

GIGABYTE		
Title NVVDD Controller		
Size	Document Number	Rev
Custom	GV-N7600C-2GD	2.0
Date:	Monday, June 03, 2013	Sheet 28 of 30

PEX Input - 12V Current Steering FETs

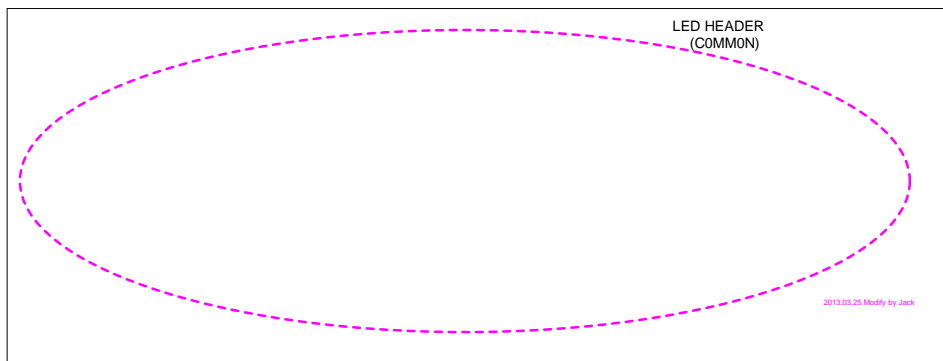


PEX Input - Power Level/PSI* Control



GPU12_LOW_PSI*	GPU_SPEED
0	Slow
1	Normal

GeForce Logo LED

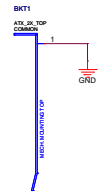


ALL NVIDIA DESIGN SPECIFICATIONS, REFERENCE SPECIFICATIONS, REFERENCE BOARDS, FILES, DRAWINGS, DIAGNOSTICS, LISTS AND OTHER DOCUMENTS (TOGETHER AND SEPARATELY, "MATERIALS") ARE BEING PROVIDED "AS IS". THE MATERIALS MAY CONTAIN KNOWN AND UNKNOWN VIOLATIONS OR DEVIATIONS OF INDUSTRY STANDARDS AND SPECIFICATIONS. NVIDIA MAKES NO WARRANTIES, EXPRESS OR IMPLIED, STATUTORY OR OTHERWISE WITH RESPECT TO THE MATERIALS OR OTHERWISE, AND EXPRESSLY DISCLAIMS ALL IMPLIED WARRANTIES INCLUDING, WITHOUT LIMITATION, THE WARRANTIES OF DESIGN, OF NON-INFRINGEMENT, MERCHANTABILITY OR FITNESS FOR A PARTICULAR PURPOSE, OR ARISING FROM A COURSE OF DEALING, TRADE USAGE, TRADE PRACTICE, OR INDUSTRY STANDARDS.

ASSEMBLY PAGE DETAIL | BASE LEVEL GENERIC SCHEMATIC ONLY
PS: 12V Current Steering PSI Control and LED

GIGABYTE	
File	12V Current Steering, PSI Control, and LED
Doc Location Number	Doc
Custom	GV-N760OC-2GD
Date	Monday, June 04, 2013
Sheet	31 of 32
Rev	2.0

Brackets:



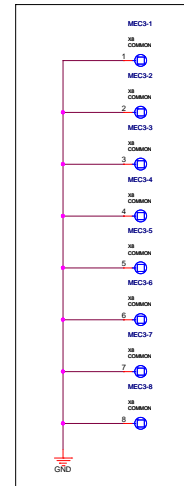
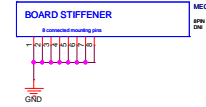
Bracket Screw



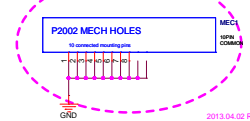
Hockey Stick



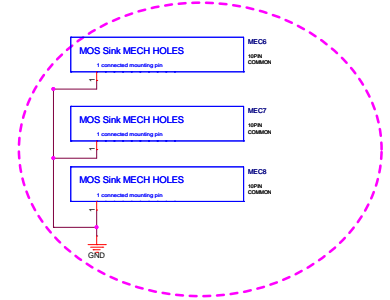
GPU Stiffner



Mechanical Holes Symbol

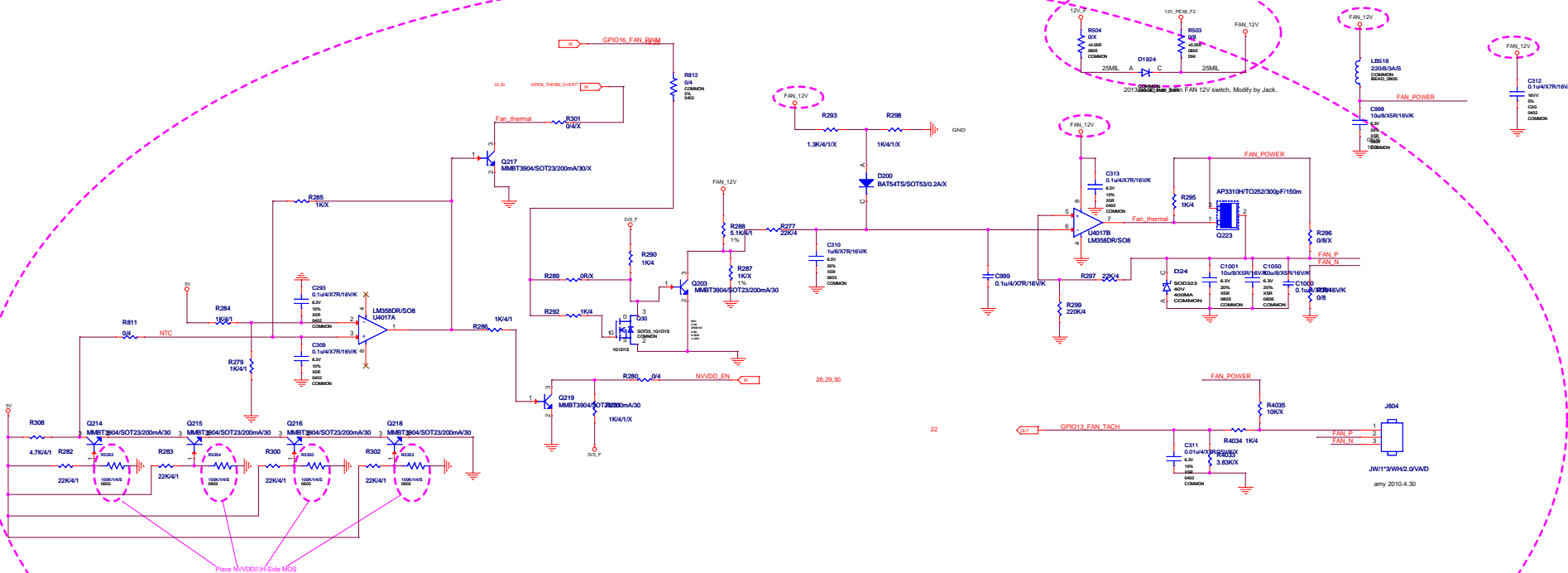


2013.04.02 Remove old MOSFET Sink. Modify by Jack



2013.04.02 Add new MOSFET Sink. Modify by Jack

Thermal_3 Pin Fan



2013.03.28 Modify by Jack

ALL VIA DATA SPECIFICATIONS, REFERENCE SPECIFICATIONS, REFERENCE BOARDS, FILES, DRAWINGS, DIAGNOSTICS, LISTS AND OTHER DOCUMENTS (TOGETHER AND SEPARATELY, "MATERIALS") ARE BEING PROVIDED AS IS. THE MATERIALS MAY CONTAIN KNOWN AND UNKNOWN VIOLATIONS OR DEVIATIONS OF INDUSTRY STANDARDS AND SPECIFICATIONS. VIA DATA MAKES NO WARRANTIES, EXPRESS OR IMPLIED, STATUTORY OR OTHERWISE WITH RESPECT TO THE MATERIALS OR OTHERWISE. VIA DATA EXPRESSLY DISCLAIMS ALL IMPLIED WARRANTIES INCLUDING, WITHOUT LIMITATION, THE WARRANTIES OF DESIGN, MERCHANTABILITY OR FITNESS FOR A PARTICULAR PURPOSE, OR ARISING FROM A COURSE OF DEALING, TRADE USAGE, TRADE PRACTICE, OR INDUSTRY STANDARDS.

ASSEMBLY PAGE DETAIL
BASE LEVEL GENERIC SCHEMATIC ONLY
Steps: Thermal, Mechanical

GIGABYTE	
File:	33_Thermal_3 Pin Fan
Rev:	2.0
Docuement Number:	GV-N7600C-2GD
Date:	Monday, June 04, 2013
Sheet:	33 of 33