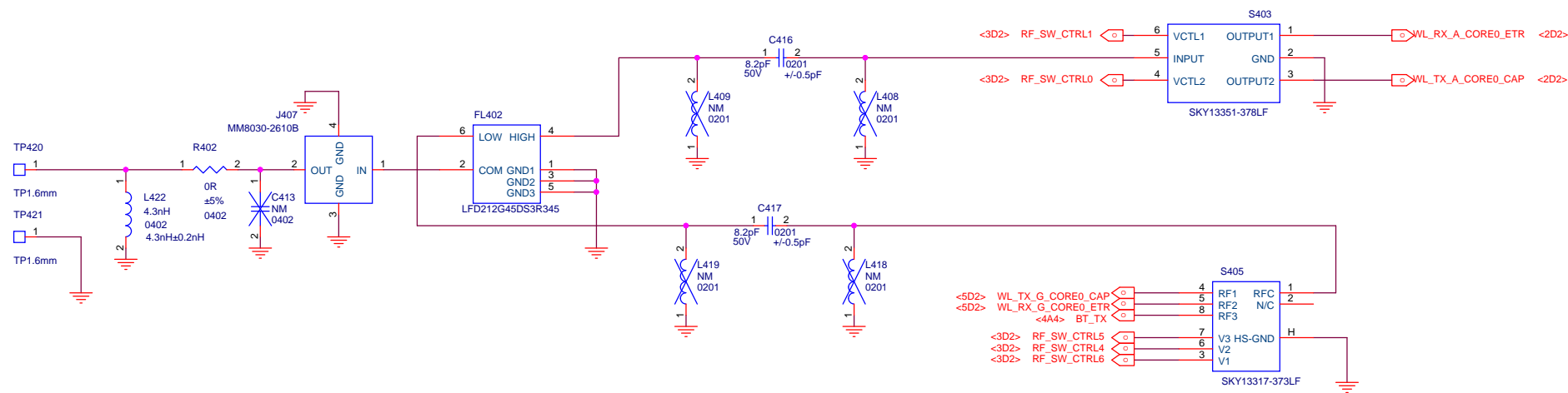
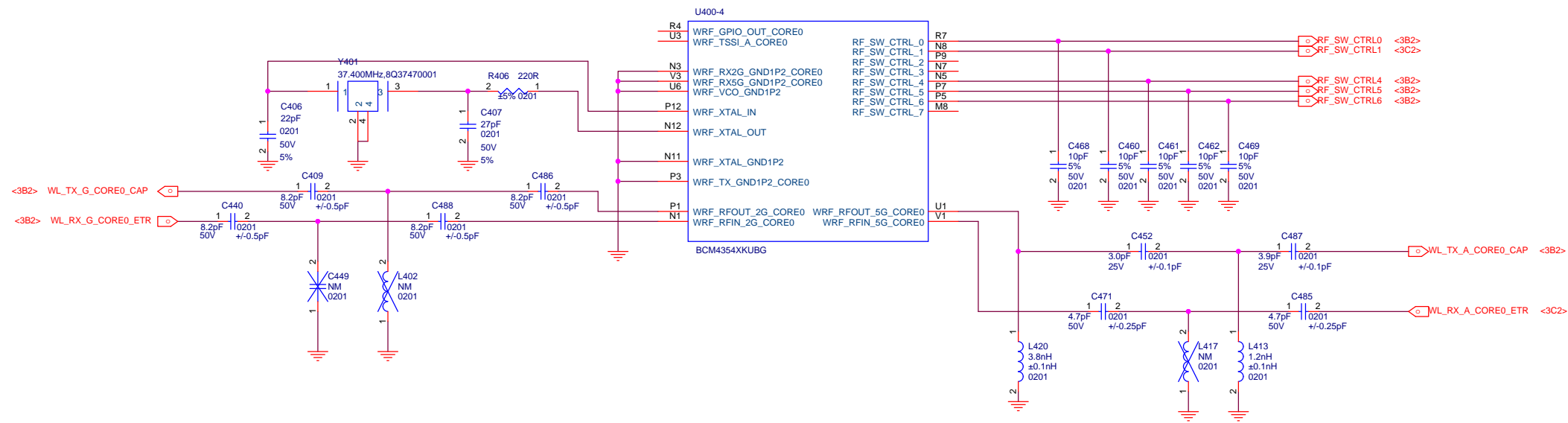
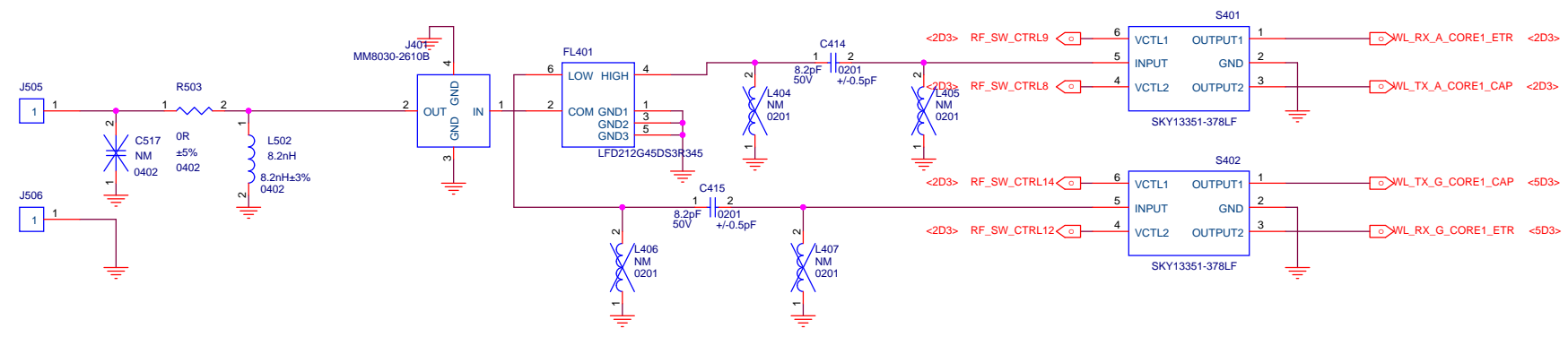
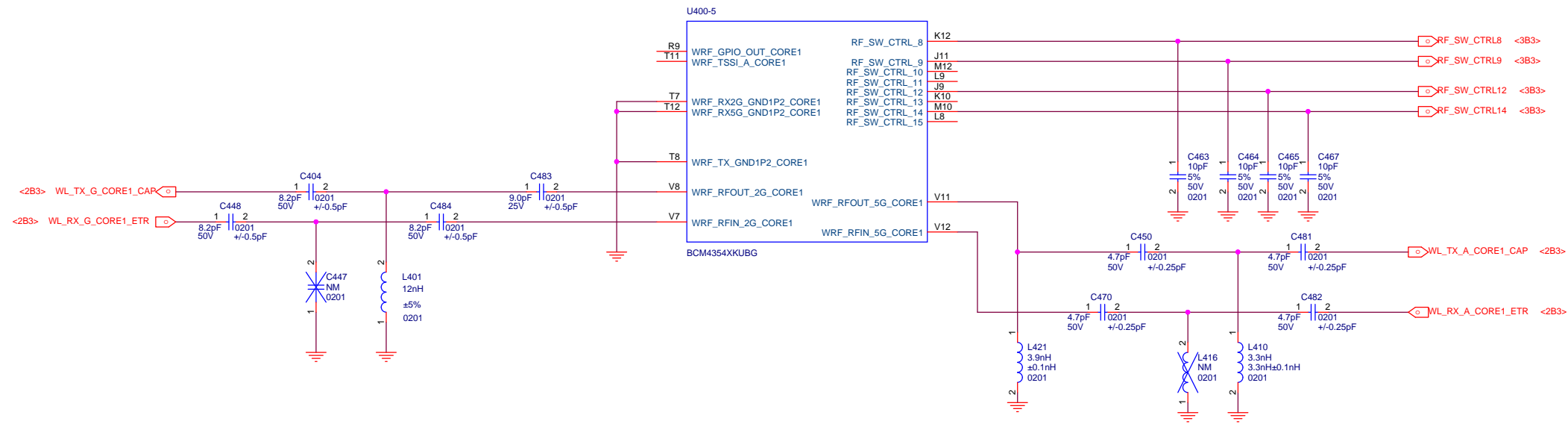
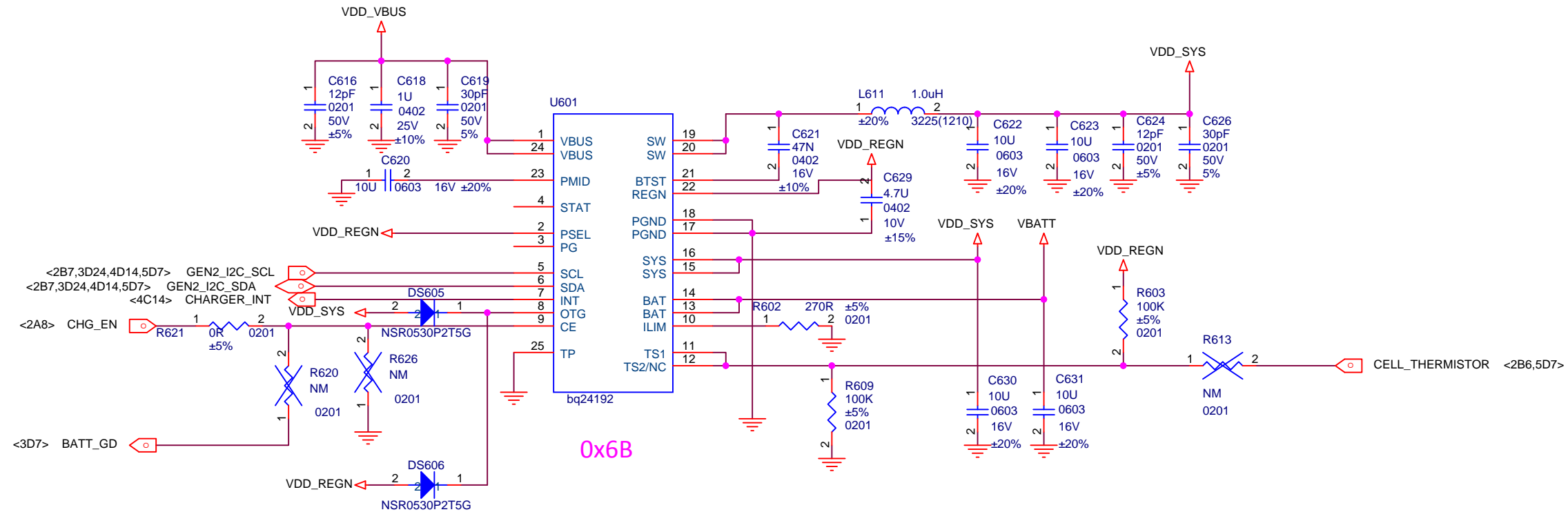


BT/WIFI INTERFACE

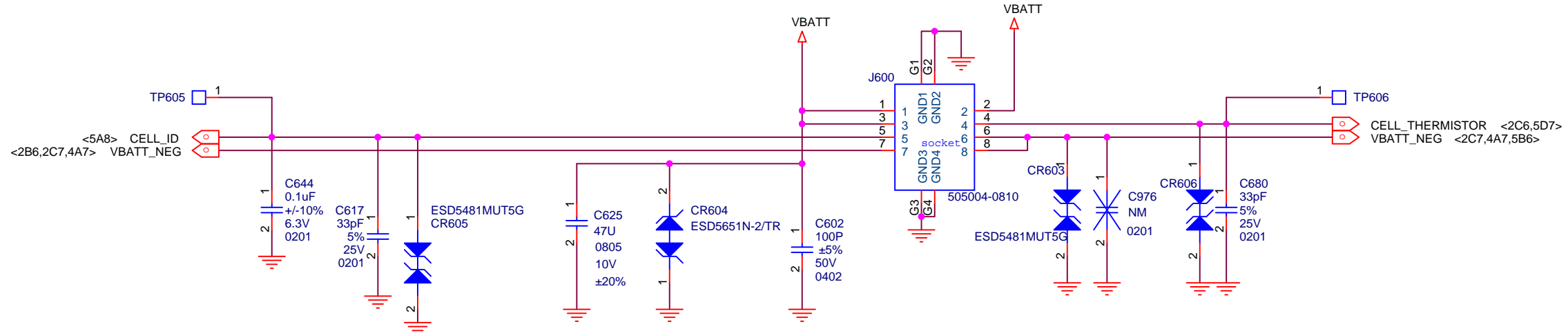
Title		
MI-THREE		
Size A3	Document Number <Doc>	Rev P2B
Date:	Sheet 1 of 26	





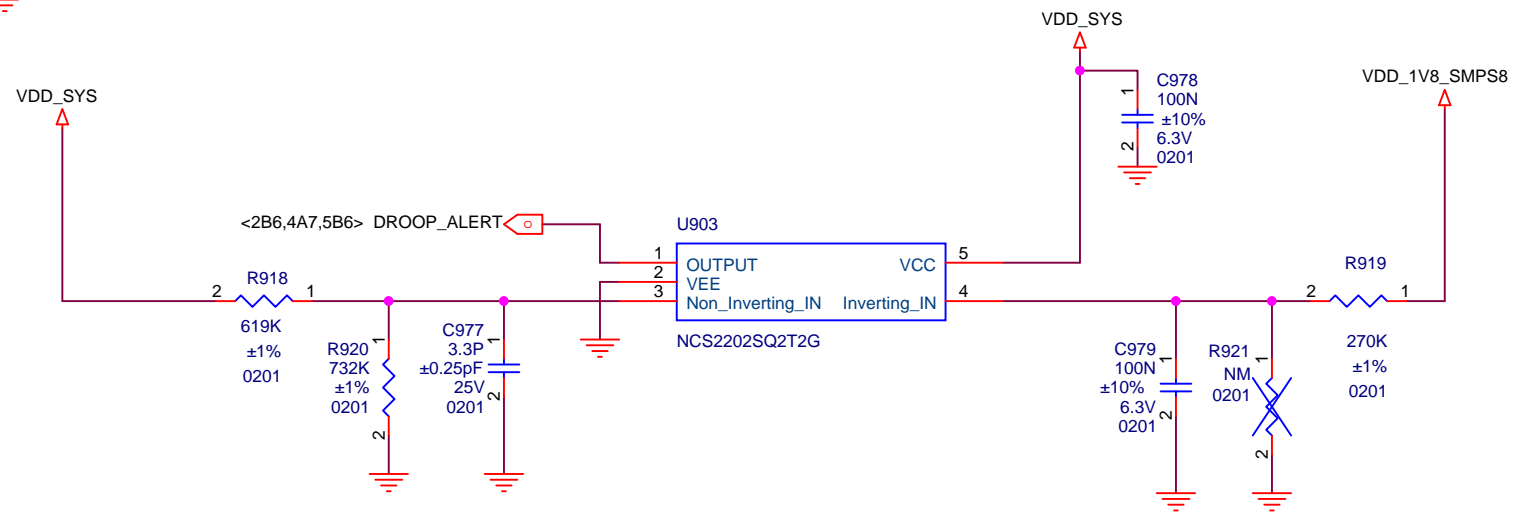
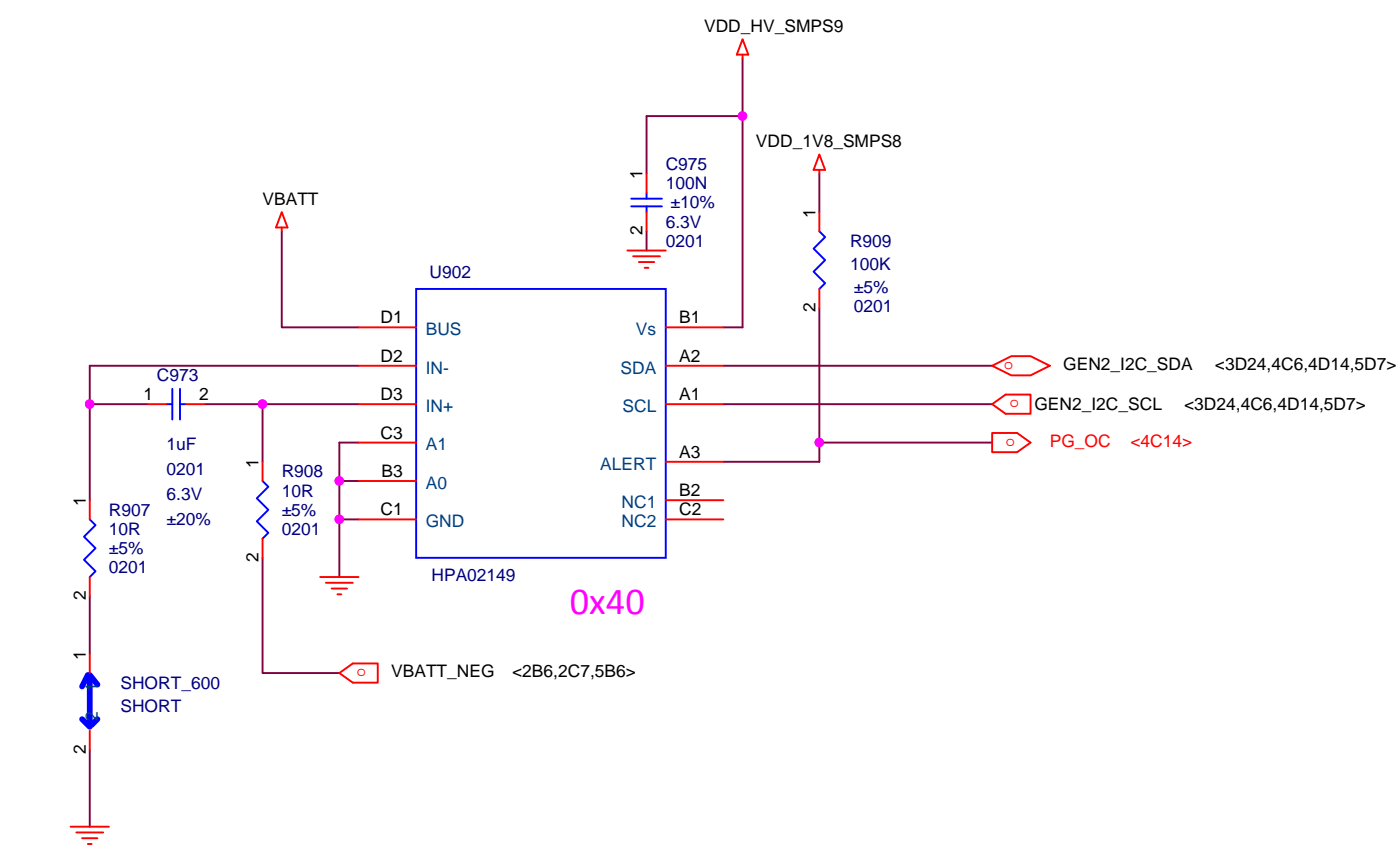
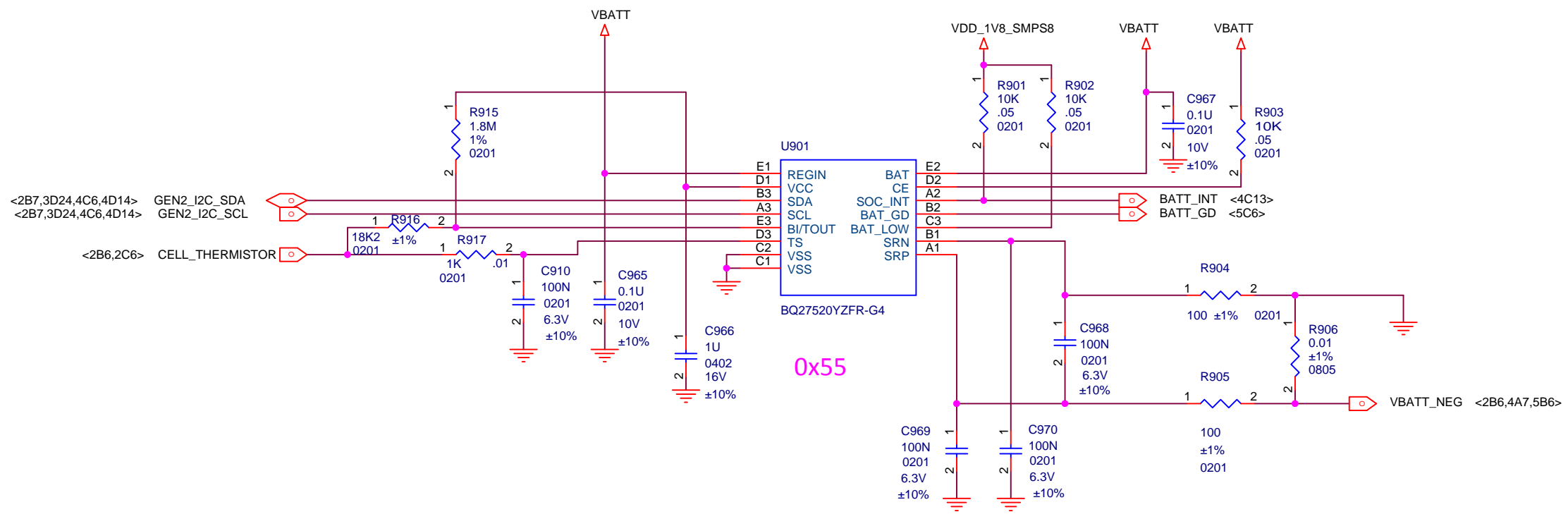


0x6B



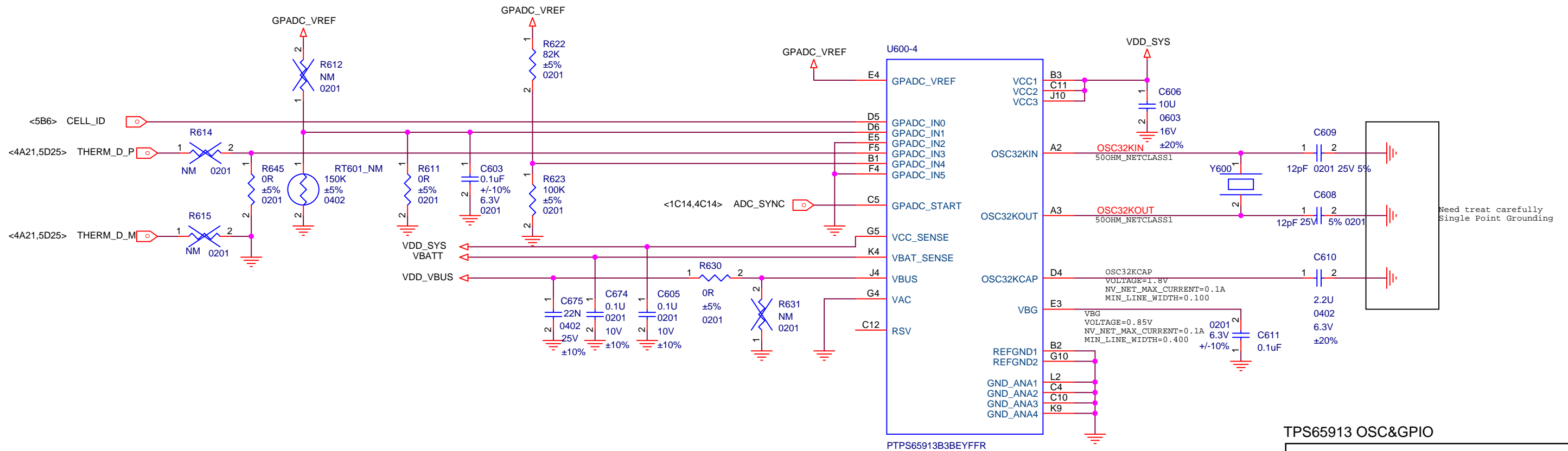
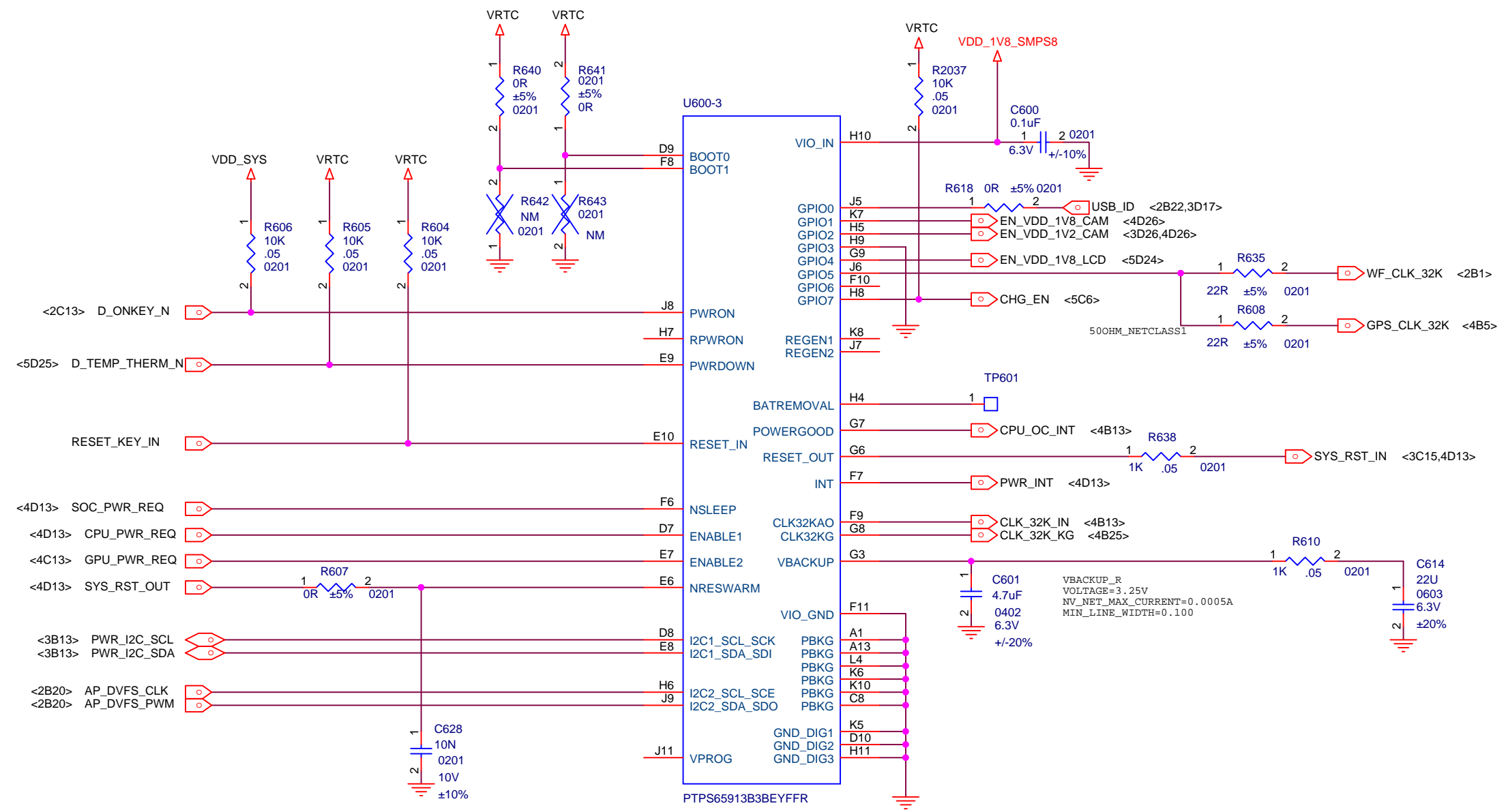
CHARGER

Title		
MI-THREE		
Size	Document Number	Rev
A3	<Doc>	P2B
Date:	Sheet 6 of 26	



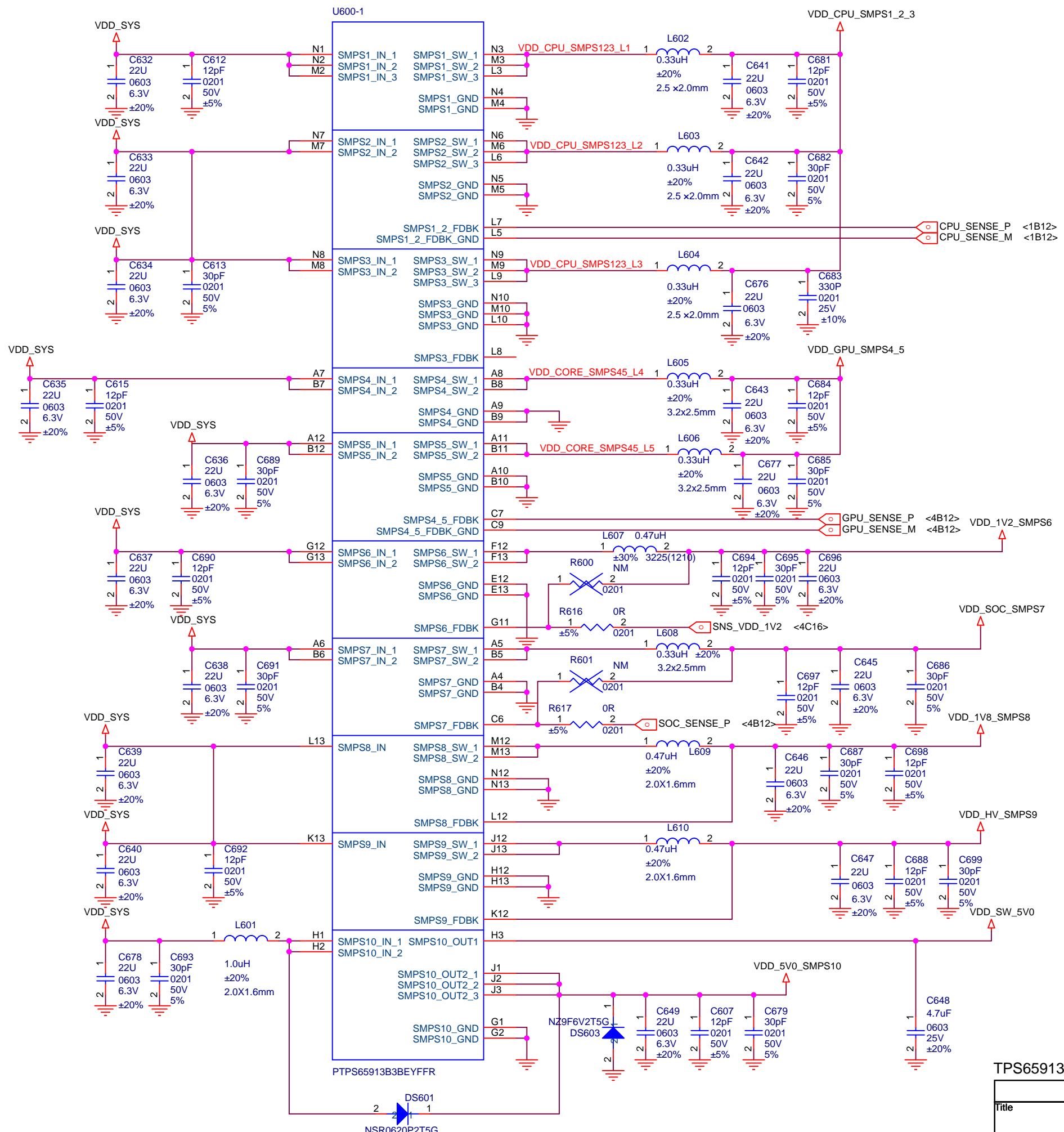
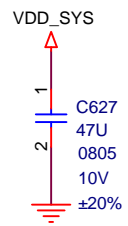
FLASH&HAPTIC

Title		
MI-THREE		
Size	Document Number	Rev
A3	<Doc>	P2B
Date:	Sheet	7 of 26



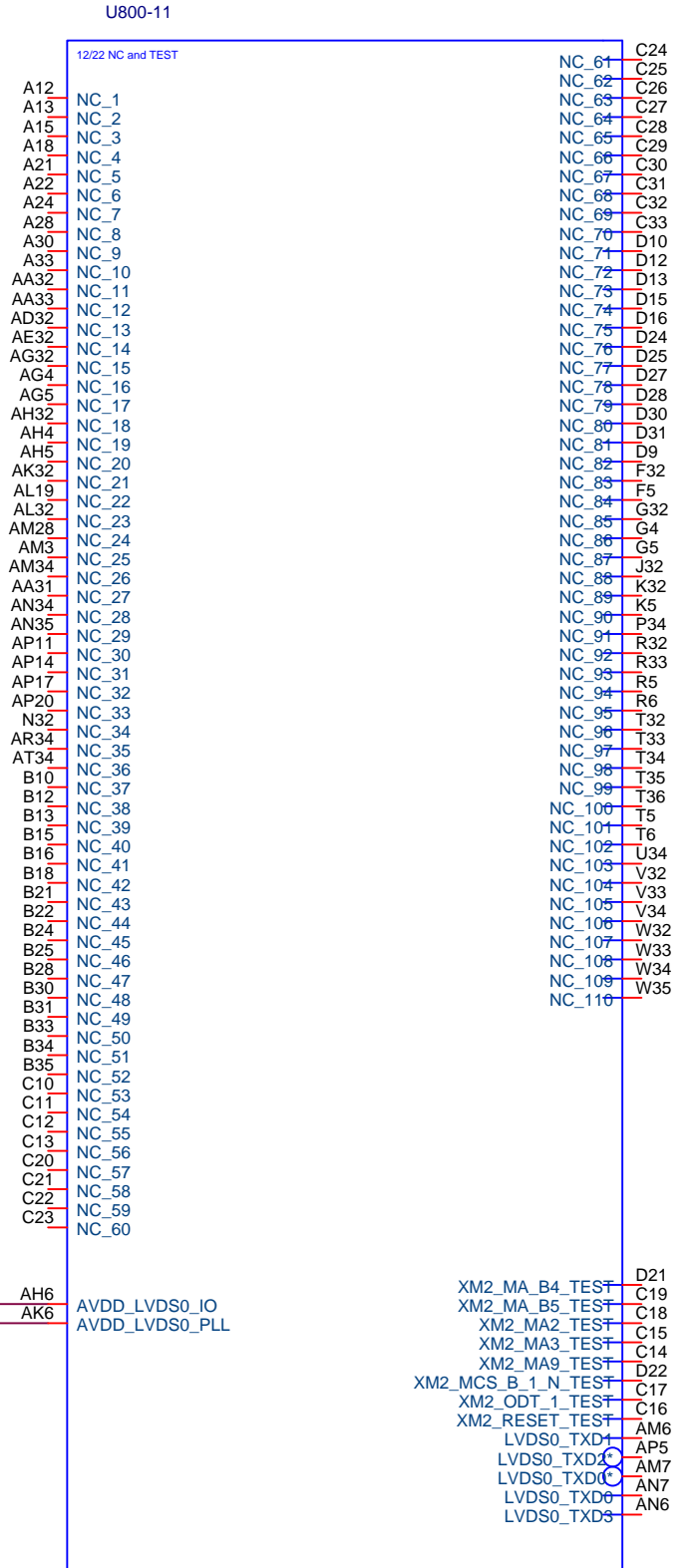
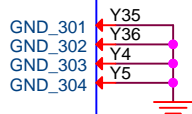
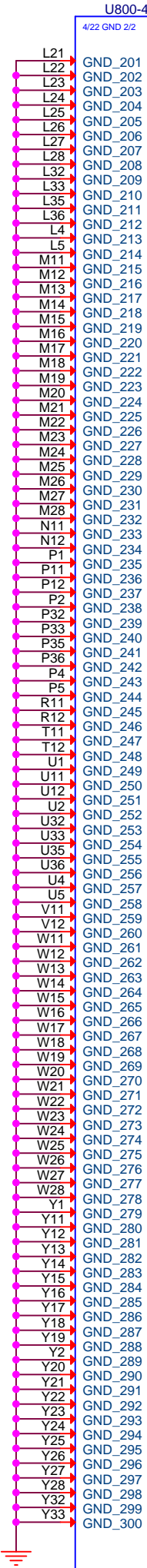
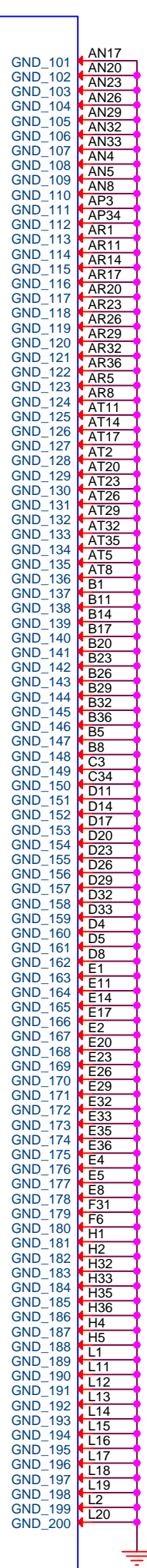
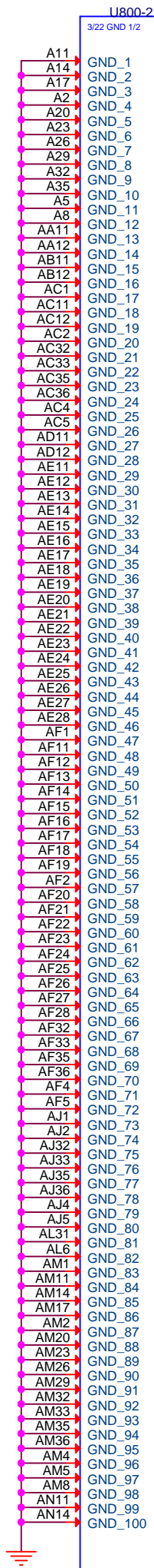
TPS65913 OSC&GPIO

Title		
MI-THREE		
Size	Document Number	Rev
A3	<Doc>	P2B
Date:	Sheet 8 of 26	



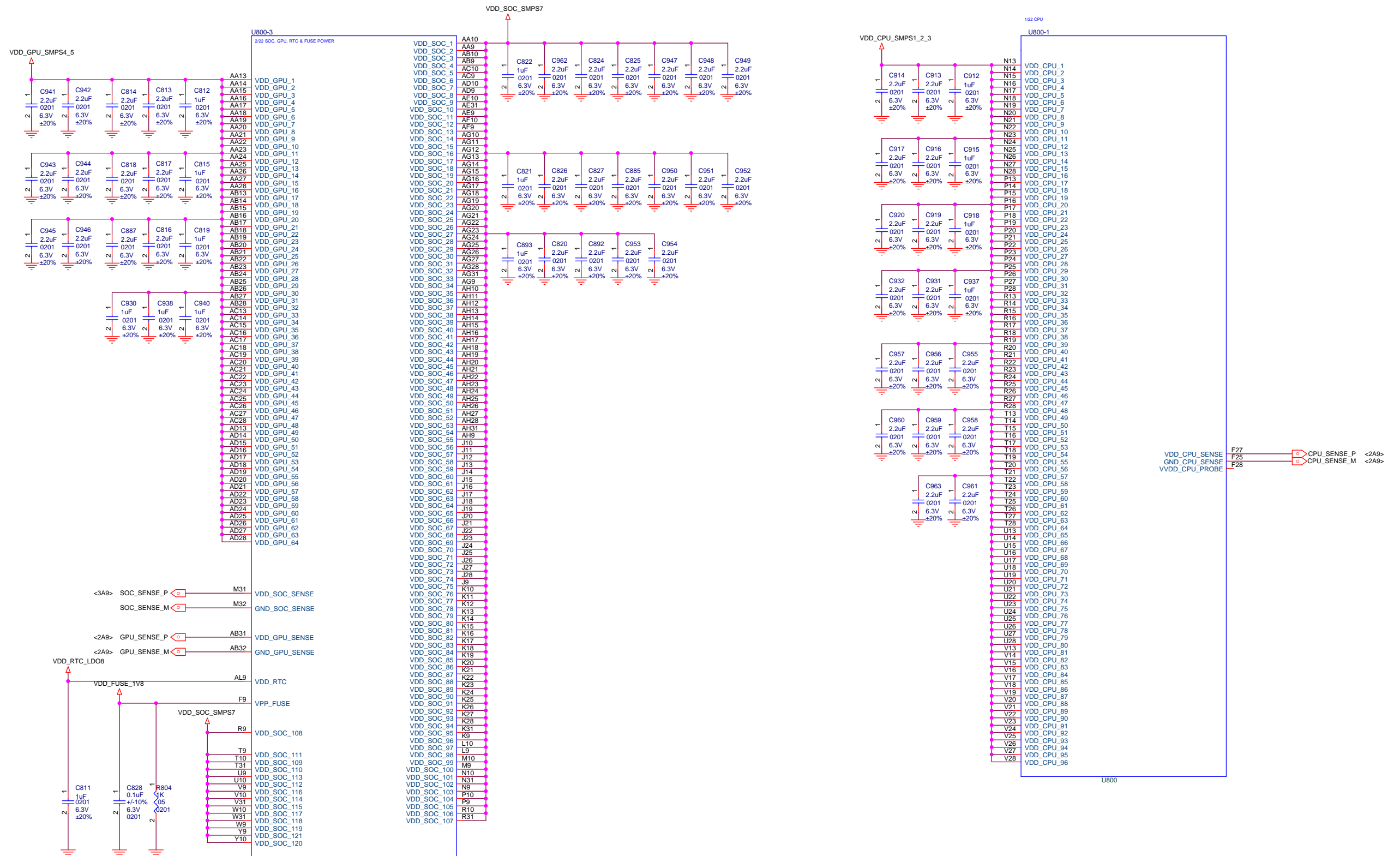
TPSP65913 SMPS

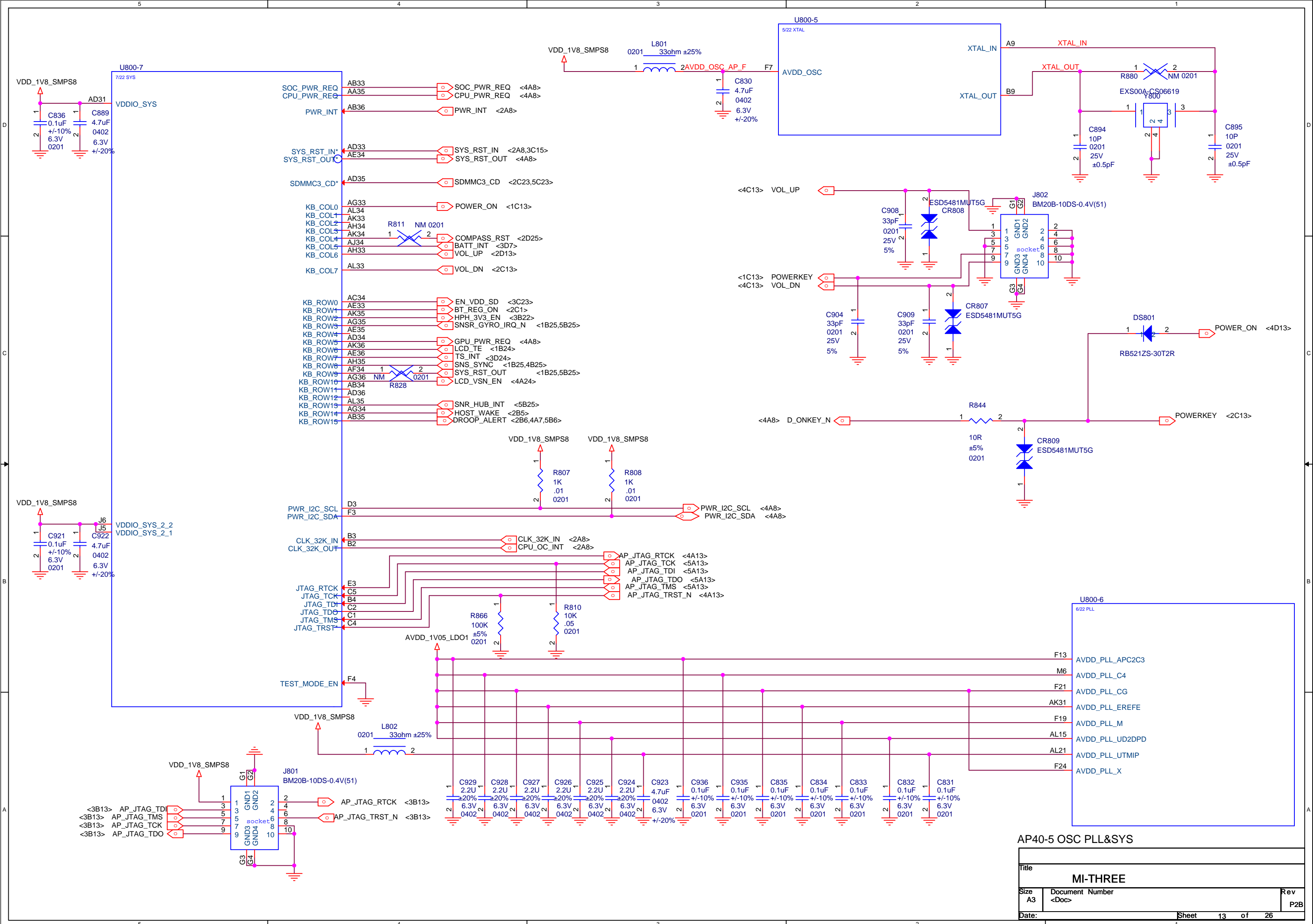
Title		
MI-THREE		
Size	Document Number	Rev
A3	<Doc>	P2B
Date:	Sheet	g of 26



AP40-3 GND

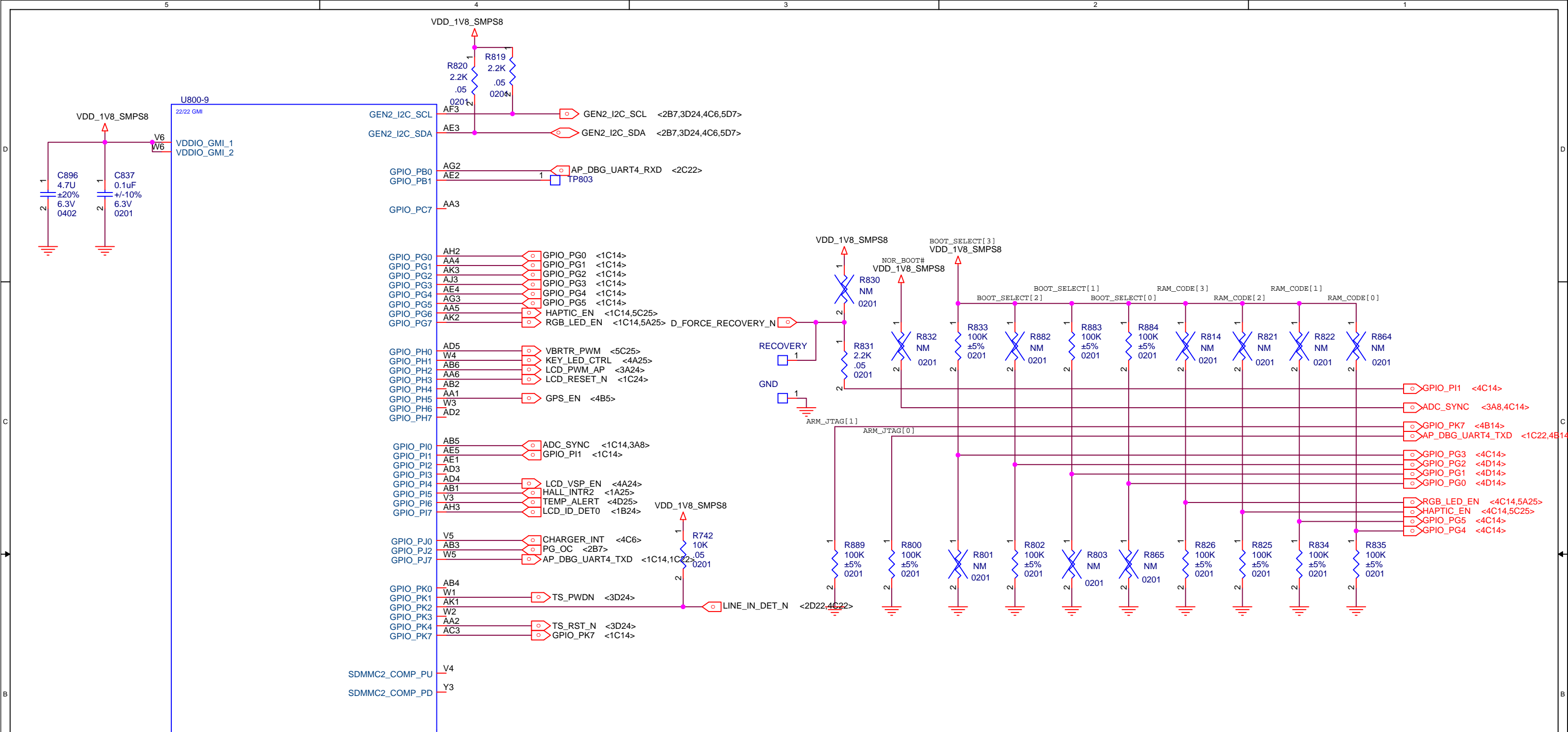
Title		
MI-THREE		
Size	Document Number	Rev
A3	<Doc>	P2B
Date:	Sheet	11 of 26





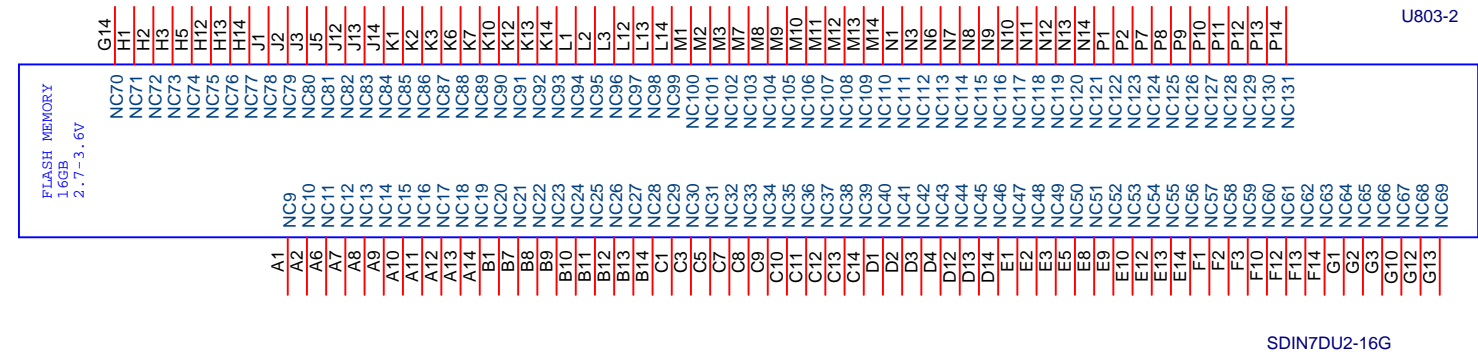
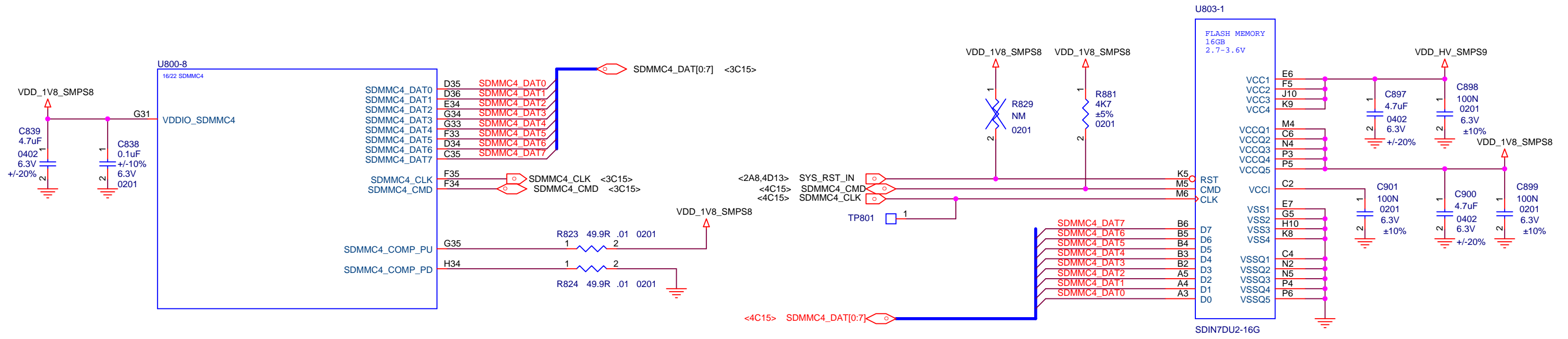
AP40-5 OSC PLL&SYS

Title		
MI-THREE		
Size	Document Number	Rev
A3	<Doc>	P2B
Date:	Sheet 13 of 26	



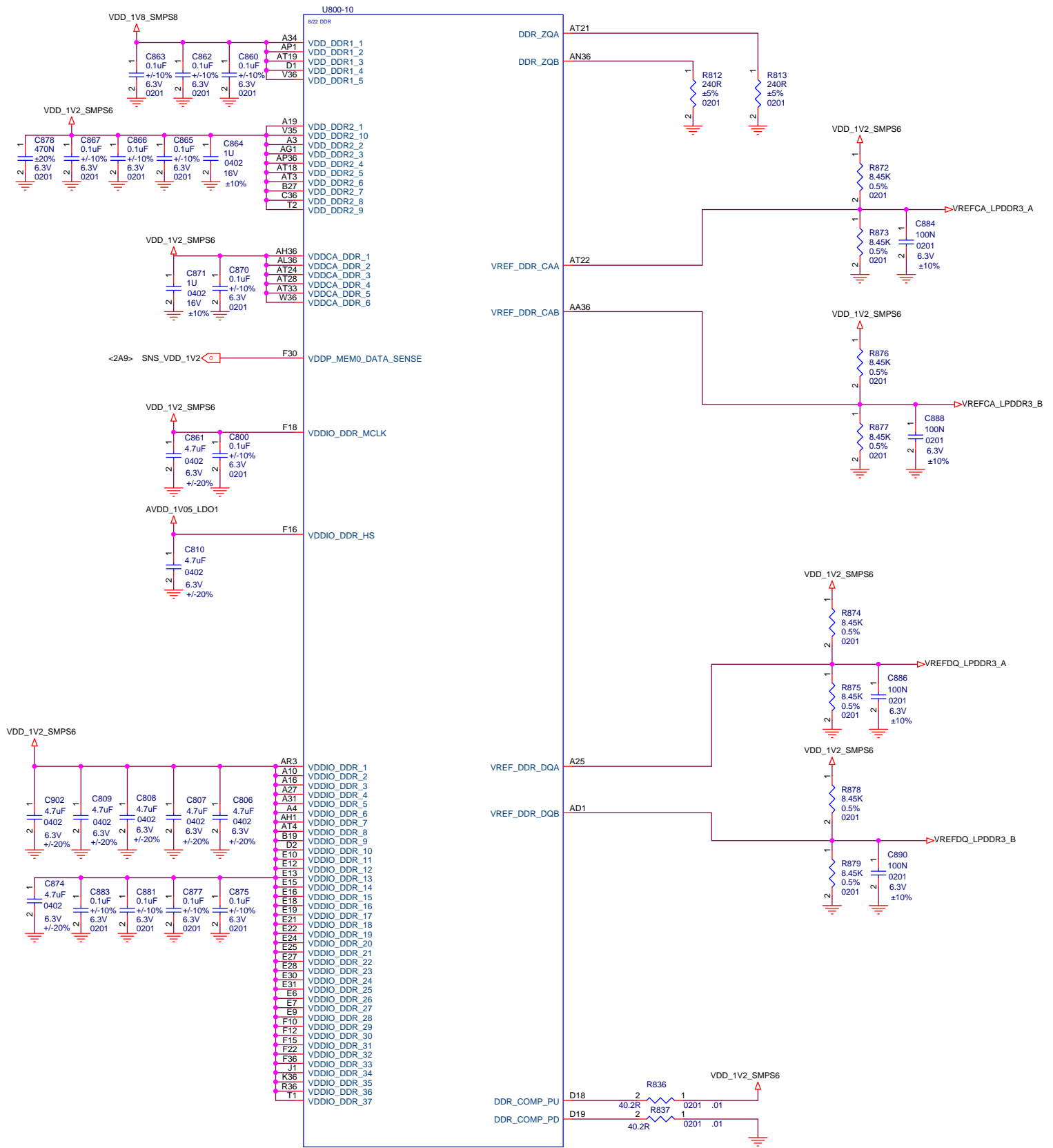
AP40-6 GMI

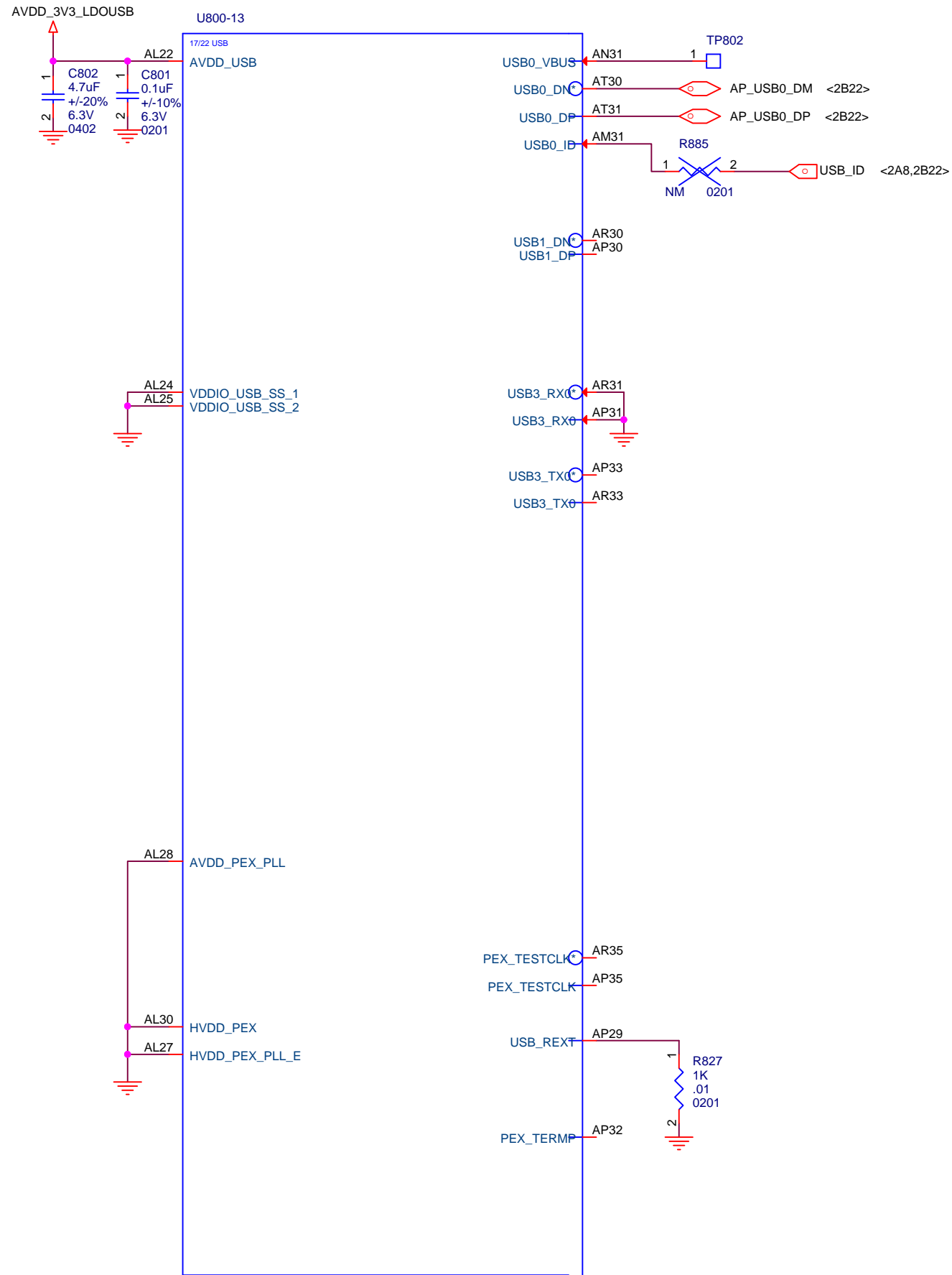
Title		
MI-THREE		
Size	Document Number	Rev
A3	<Doc>	P2B
Date:	Sheet 14 of 26	



AP40 EMMC

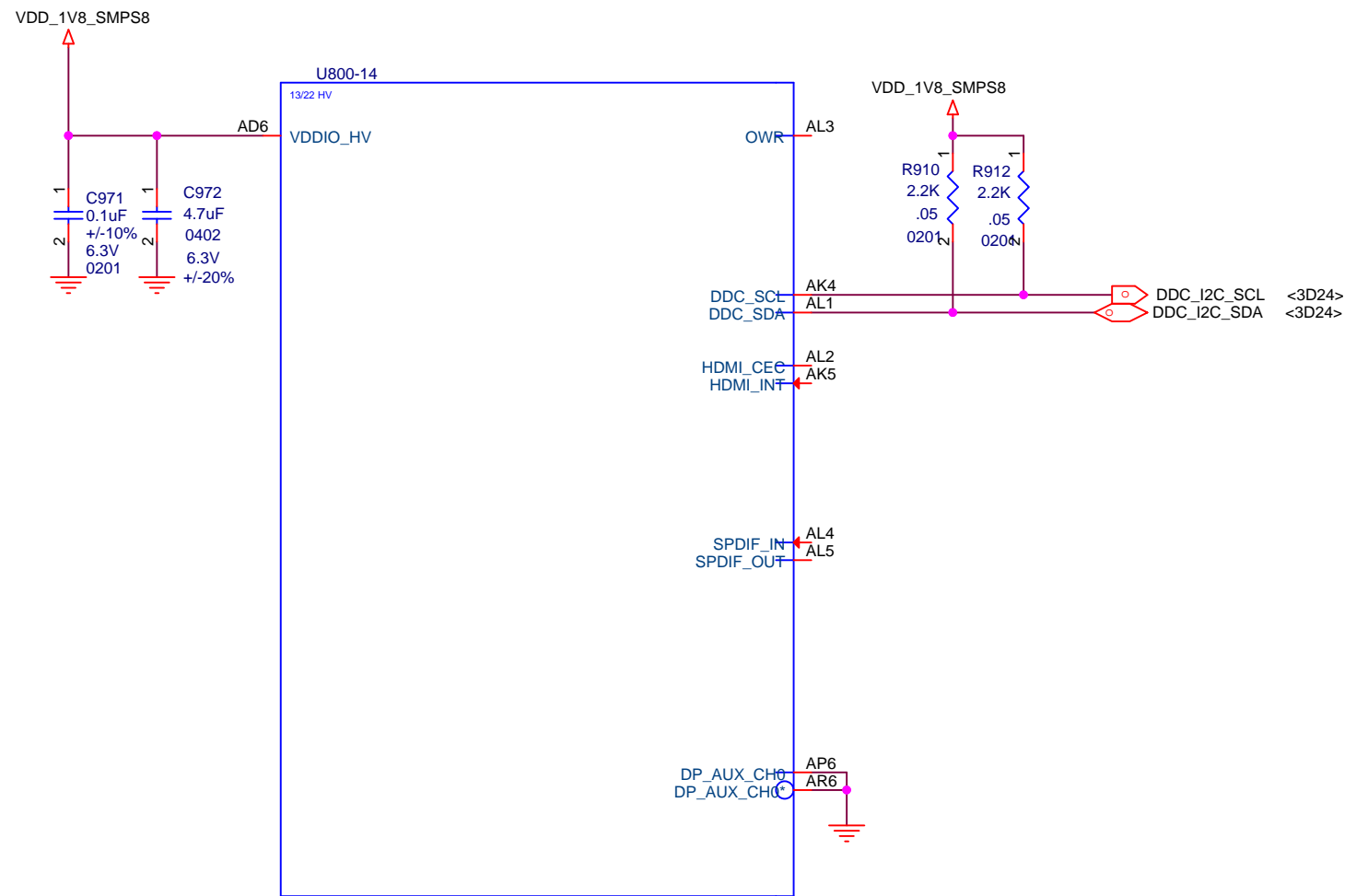
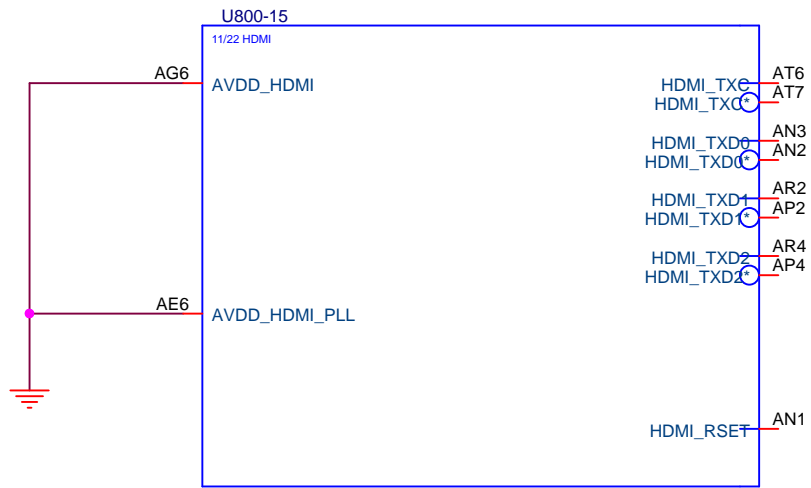
Title		
MI-THREE		
Size	Document Number	Rev
A3	<Doc>	P2B
Date:	Sheet	15 of 26





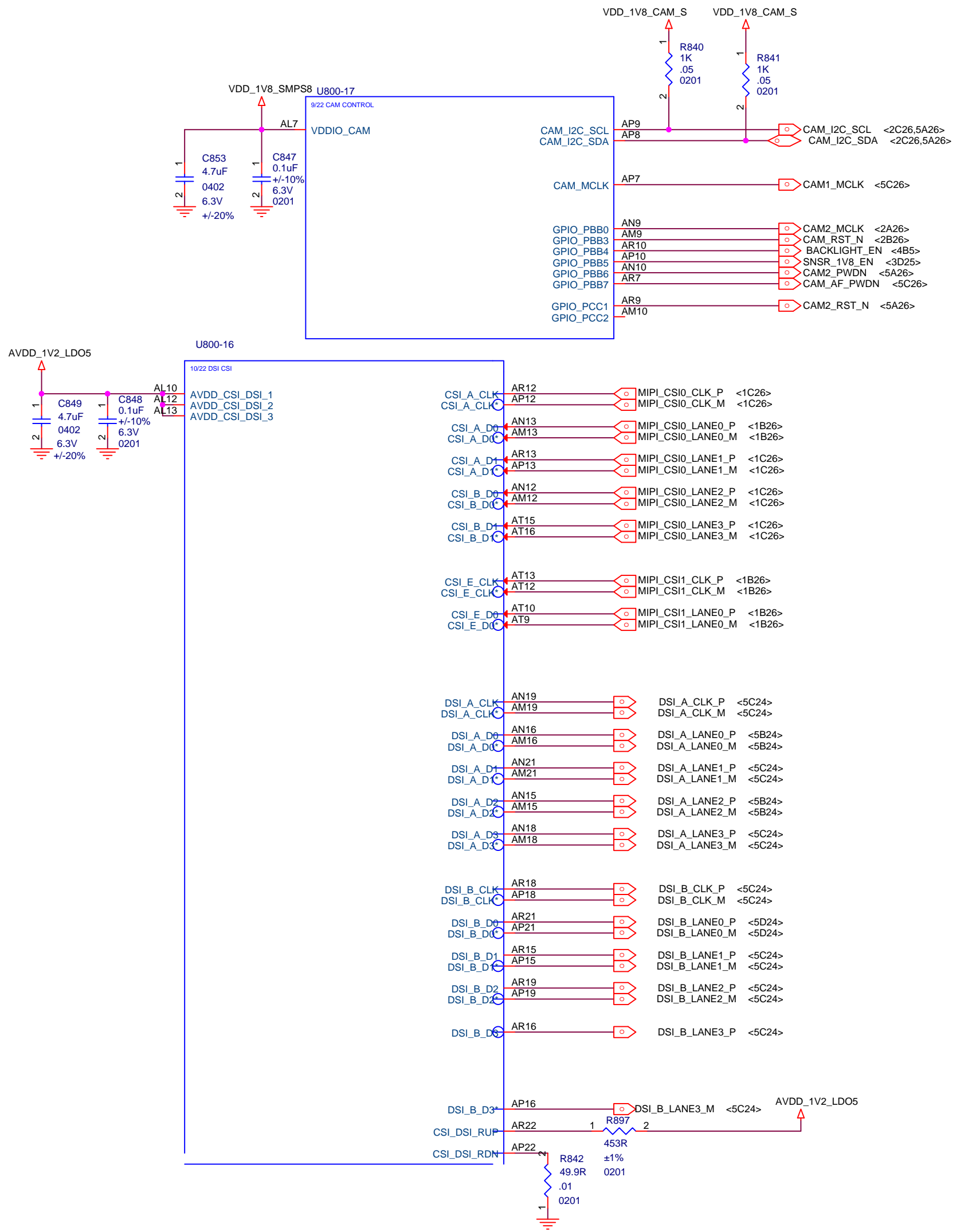
AP50 USB

Title			MI-PAD		
Size	Document Number				Rev
A3	<Doc>				P2B
Date:	Sheet 17 of 26				



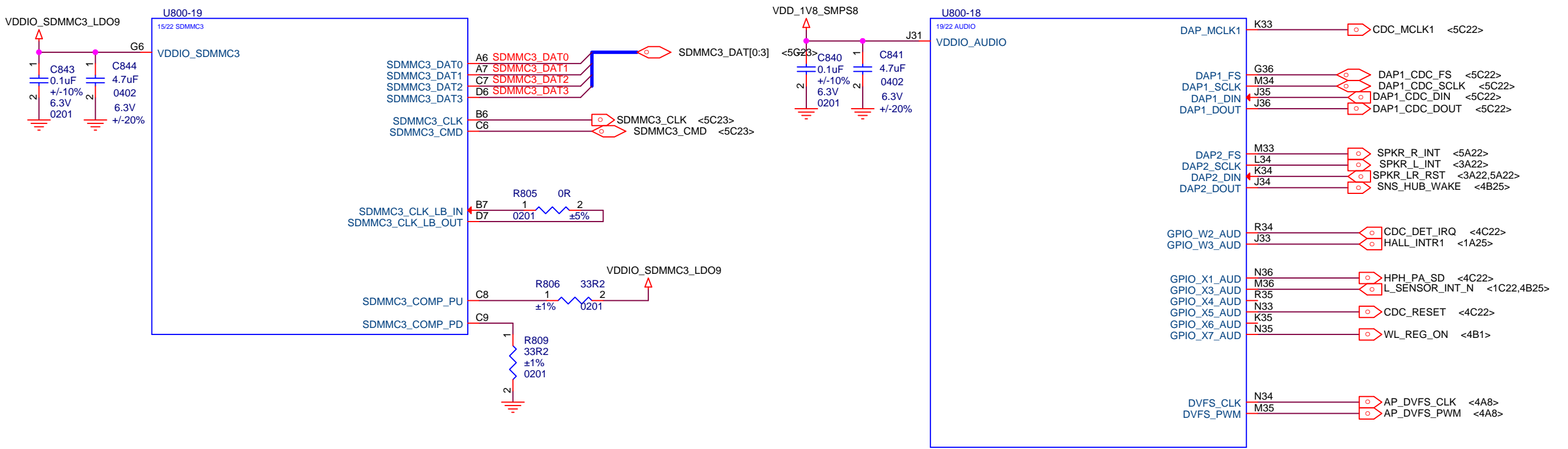
HDMI

Title		
MI-THREE		
Size	Document Number	Rev
A3	<Doc>	P2B
Date:	Sheet 18 of 26	



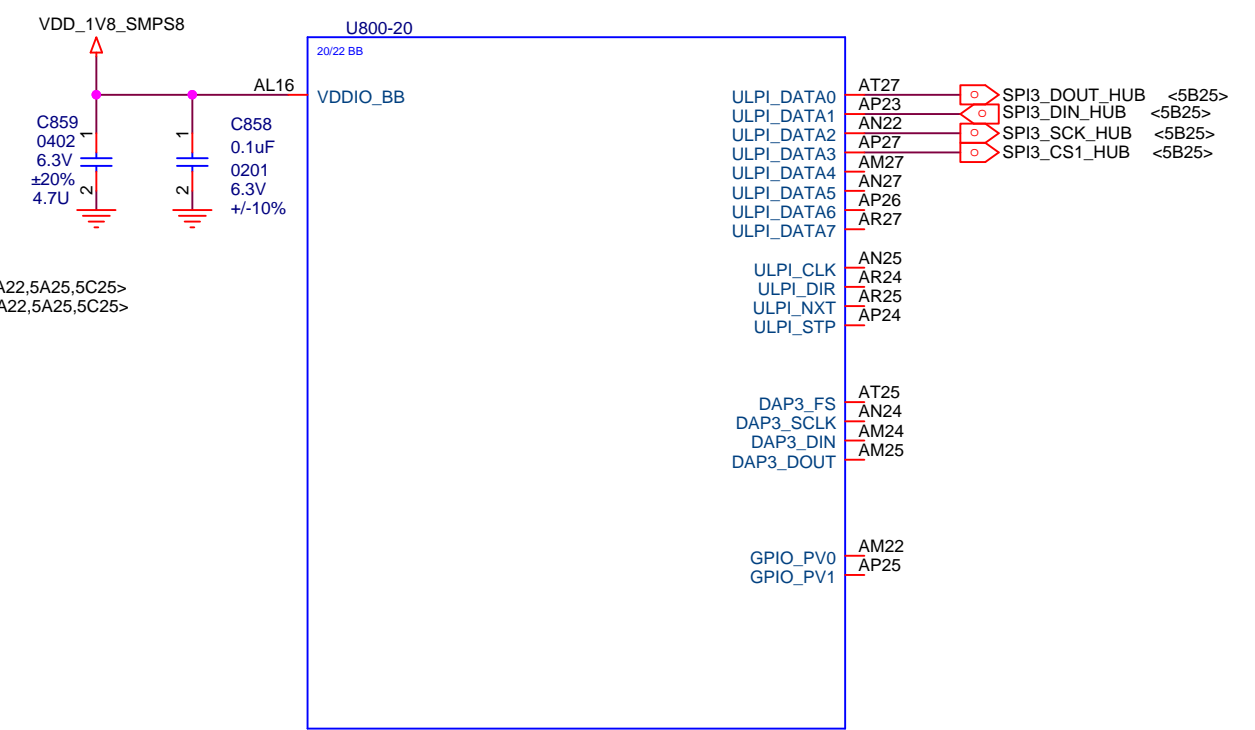
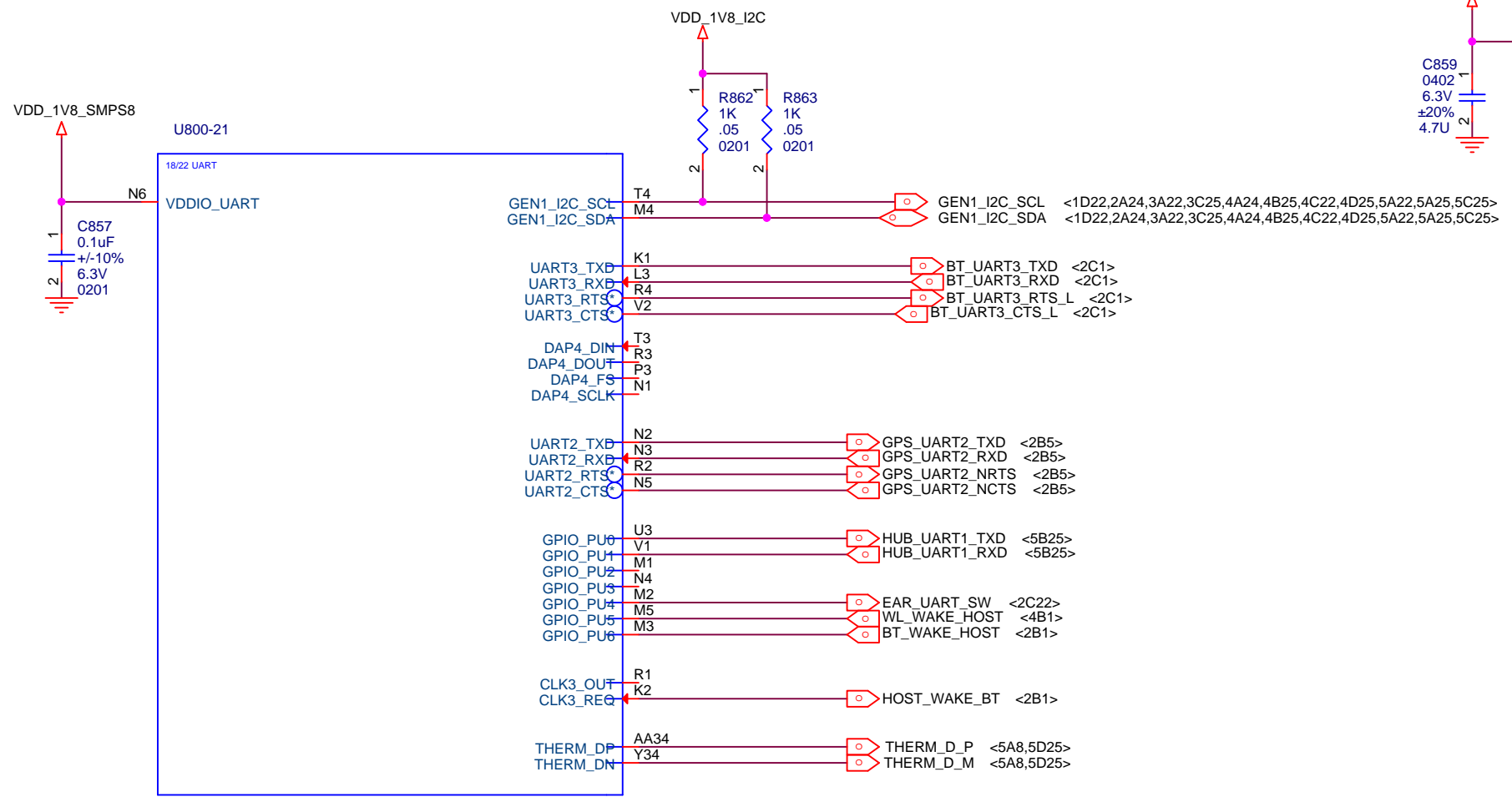
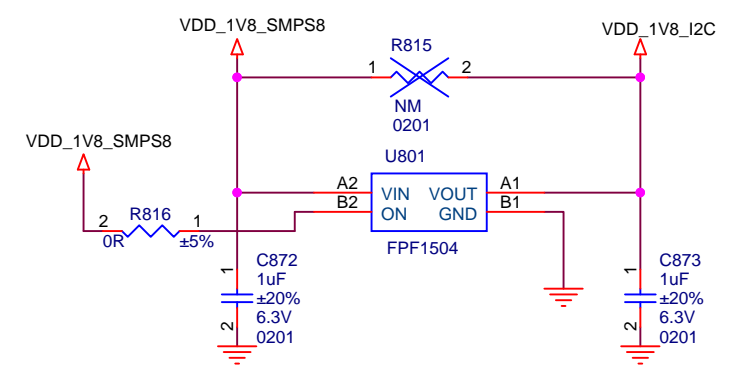
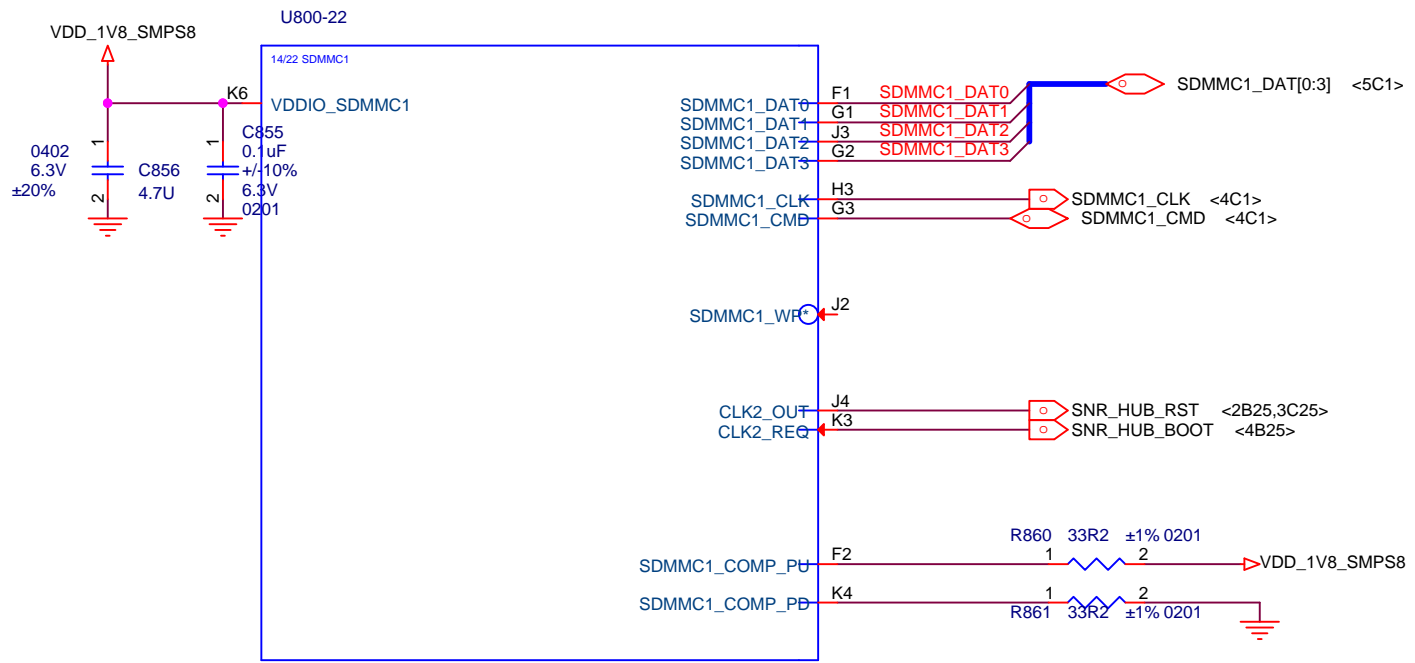
AP40 CAM CSI/DSI

Title		
MI-THREE		
Size	Document Number	Rev
A3	<Doc>	P2B
Date:	Sheet 19 of 26	



AP40 SD

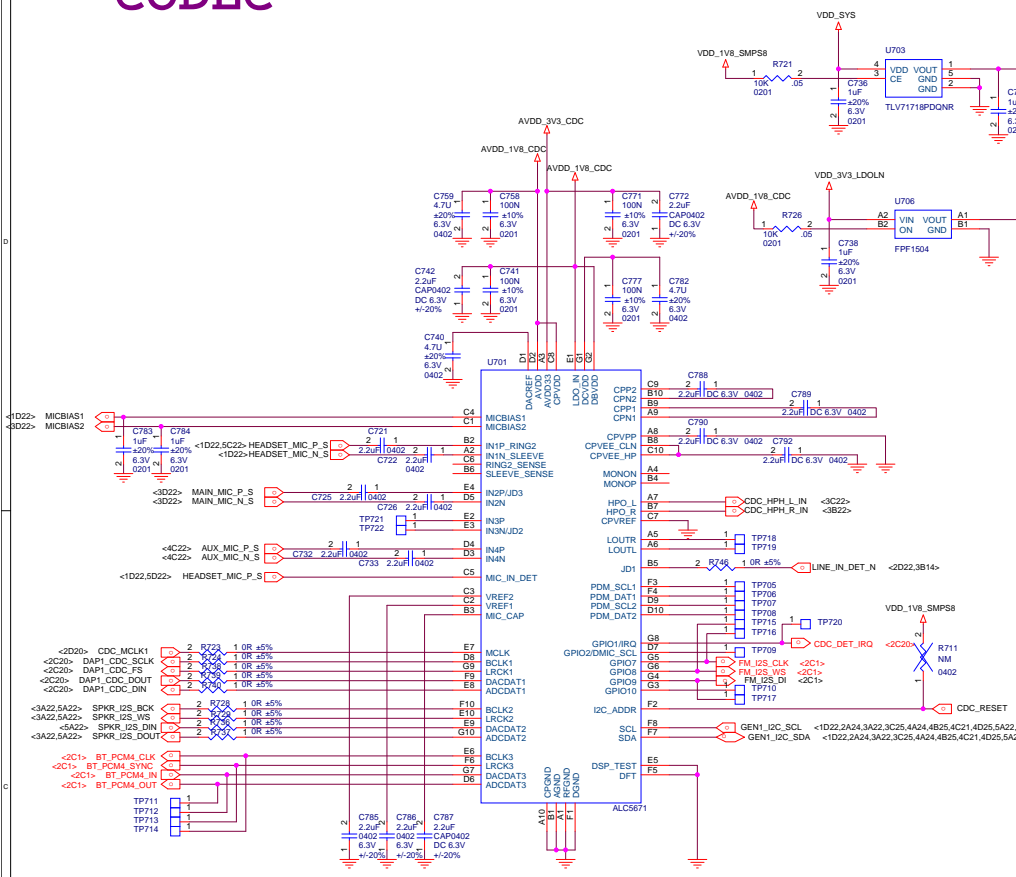
Title		
MI-THREE		
Size	Document Number	Rev
A3	<Doc>	P2B
Date:	Sheet 20 of 26	



AP40 UARD&BB

Title		
MI-THREE		
Size	Document Number	Rev
A3	<Doc>	P2B
Date:	Sheet 21 of 26	

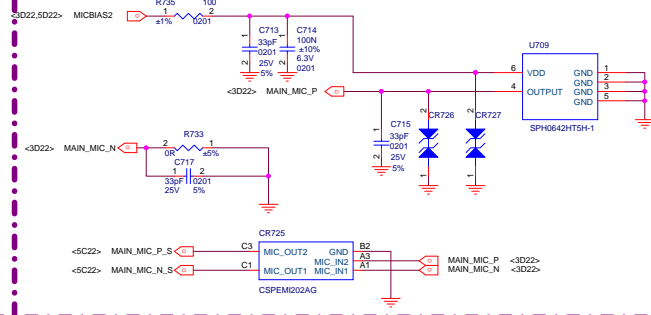
CODEC



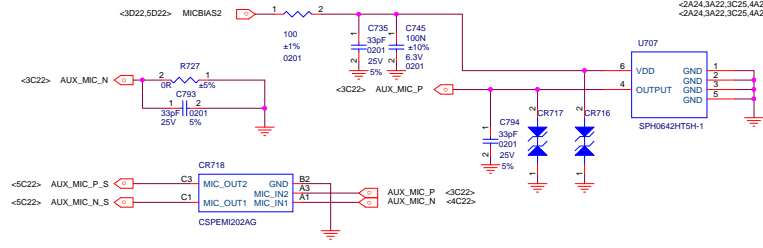
ADDR=1;0x1D

0X95

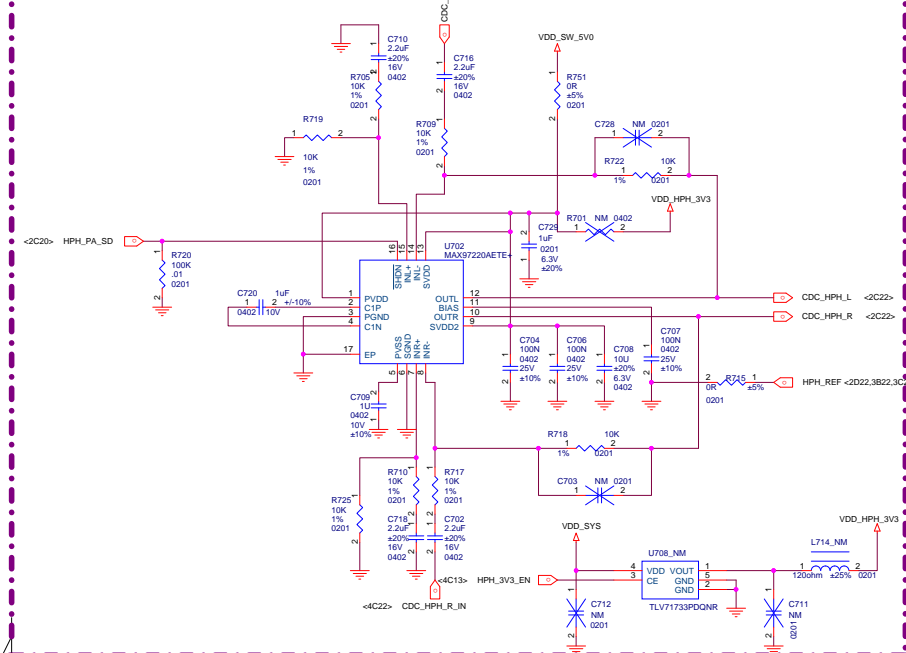
MAIN Mic



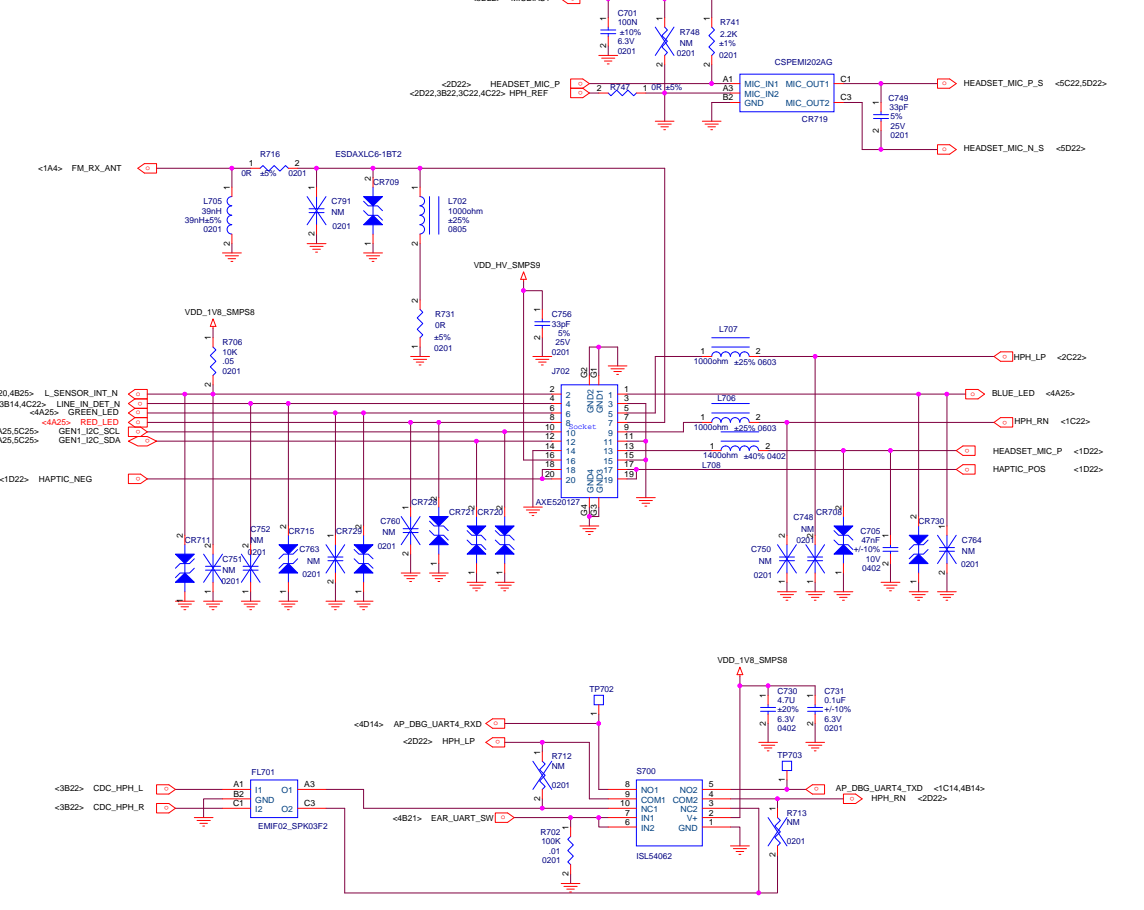
AUX Mic



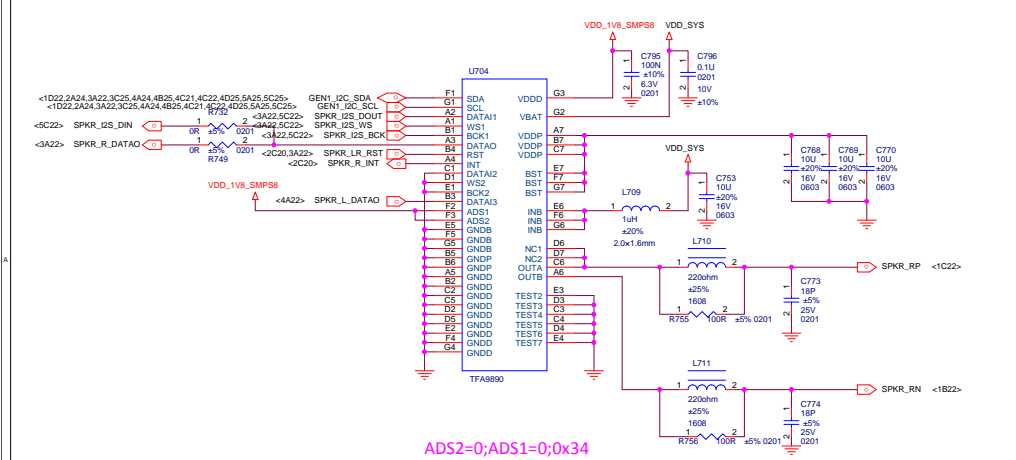
HEADPHONE PA



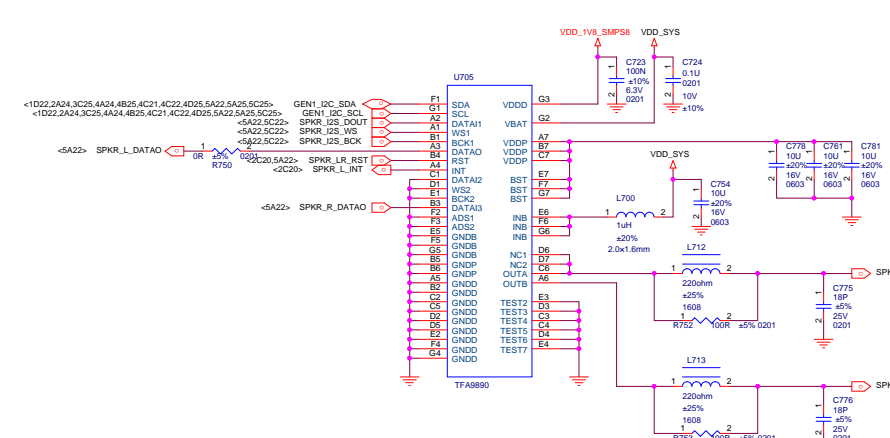
HEADSET



SPEAKER

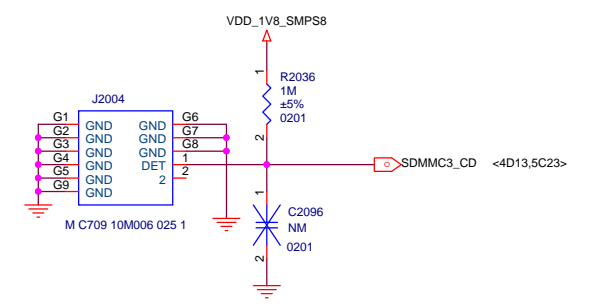
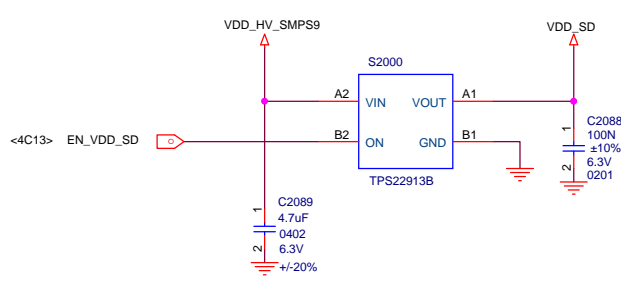
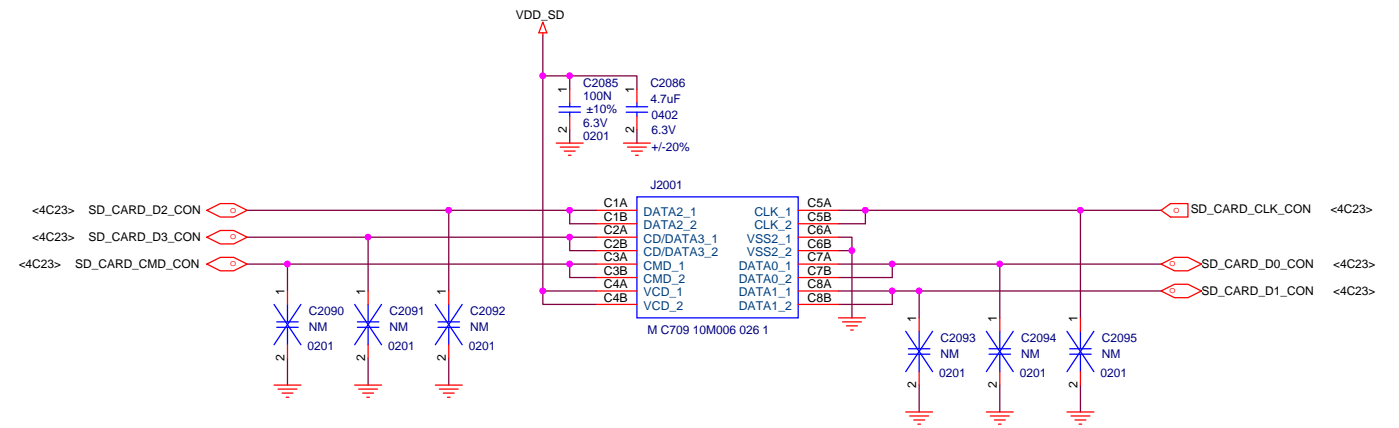
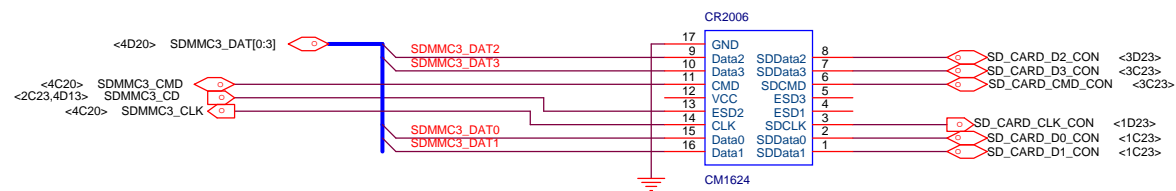


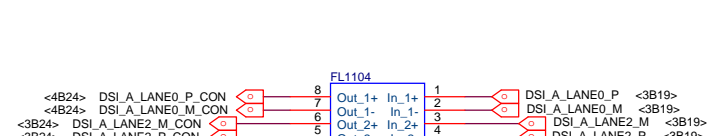
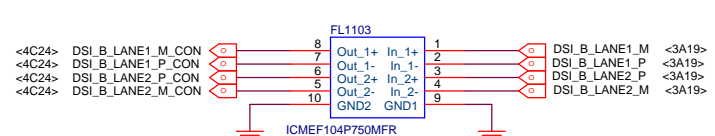
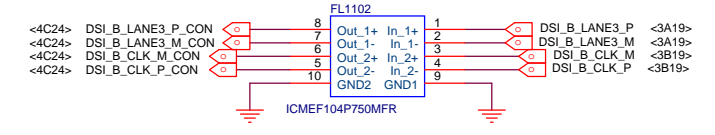
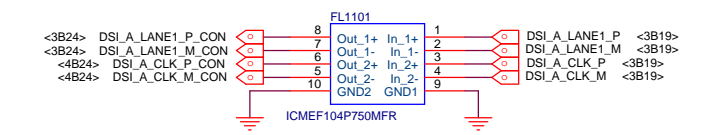
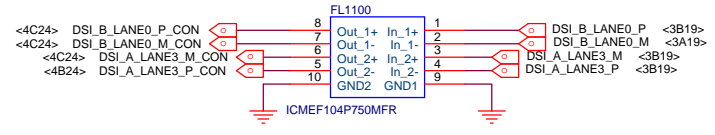
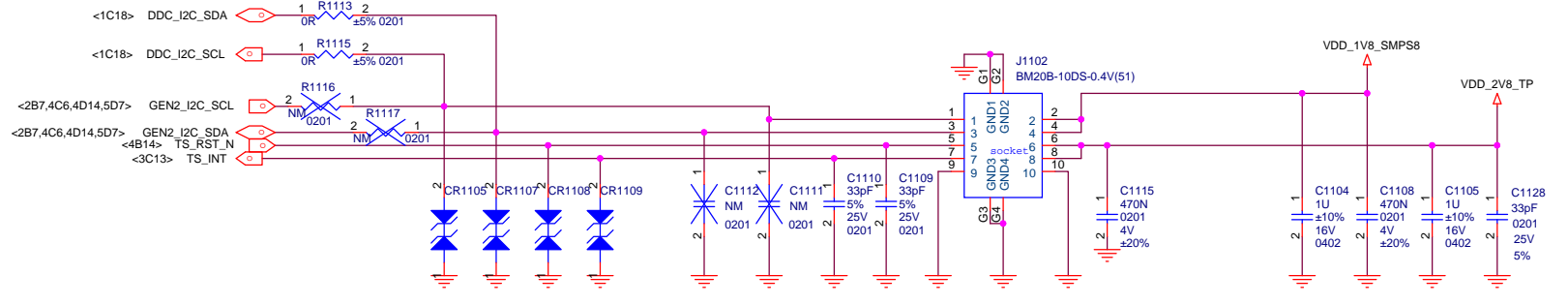
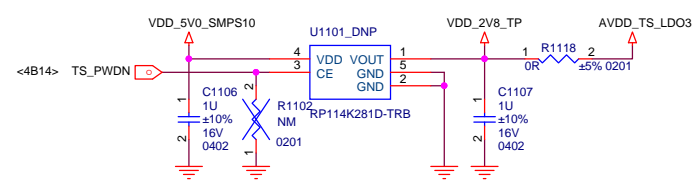
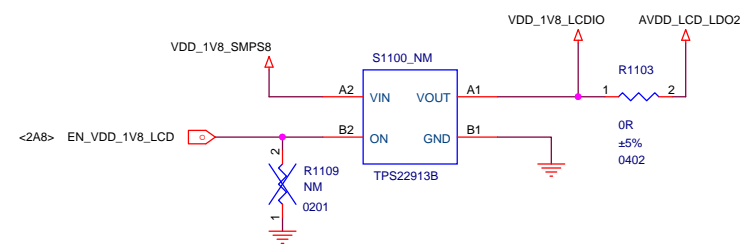
ADS2=0;ADS1=0;0x34



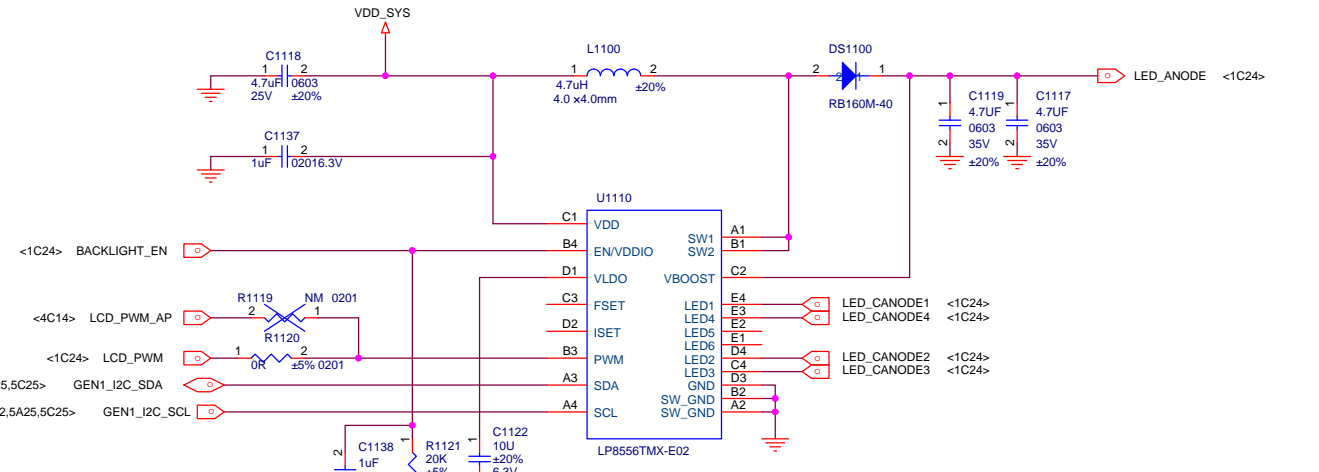
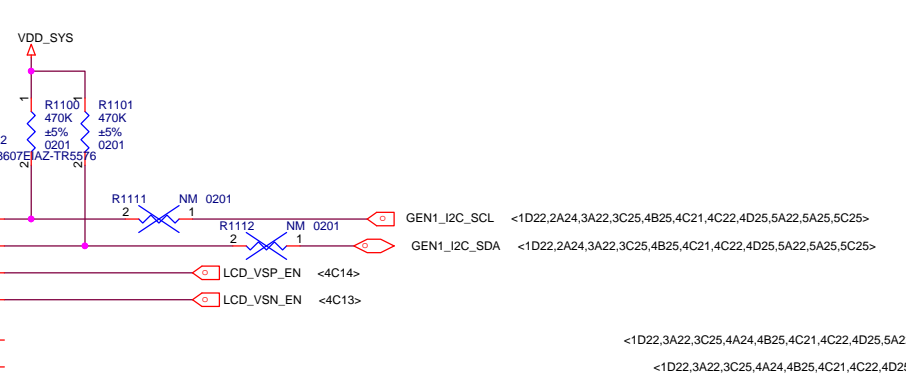
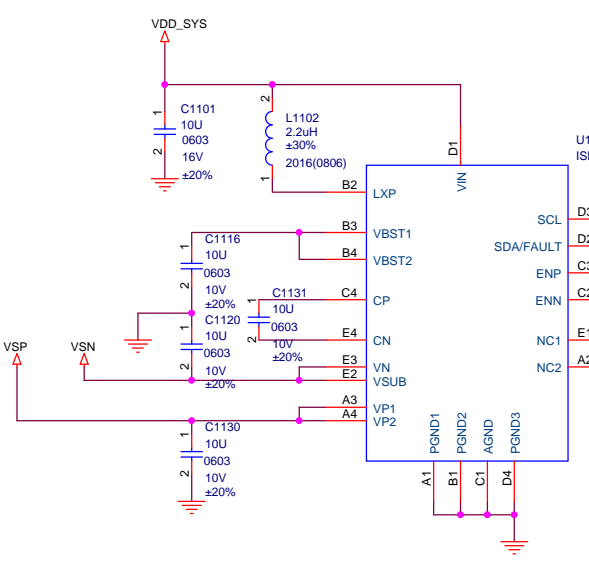
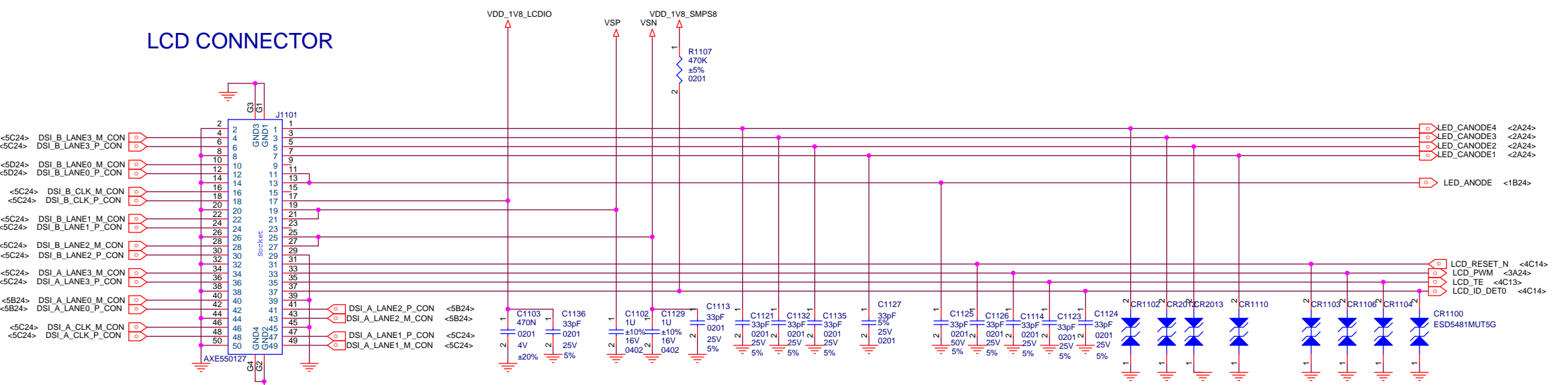
ADS2=1;ADS1=1;0x37

File	<Title>
Size	Document Number
A1	<Doc>
Date:	Wednesday, May 14, 2014
Sheet	22 of 28





LCD CONNECTOR



0x29

0x2C

LCD		
Title		
MI-THREE		
Size	Document Number	Rev
A2	<Doc>	P2B
Date:	Sheet 24 of 26	

