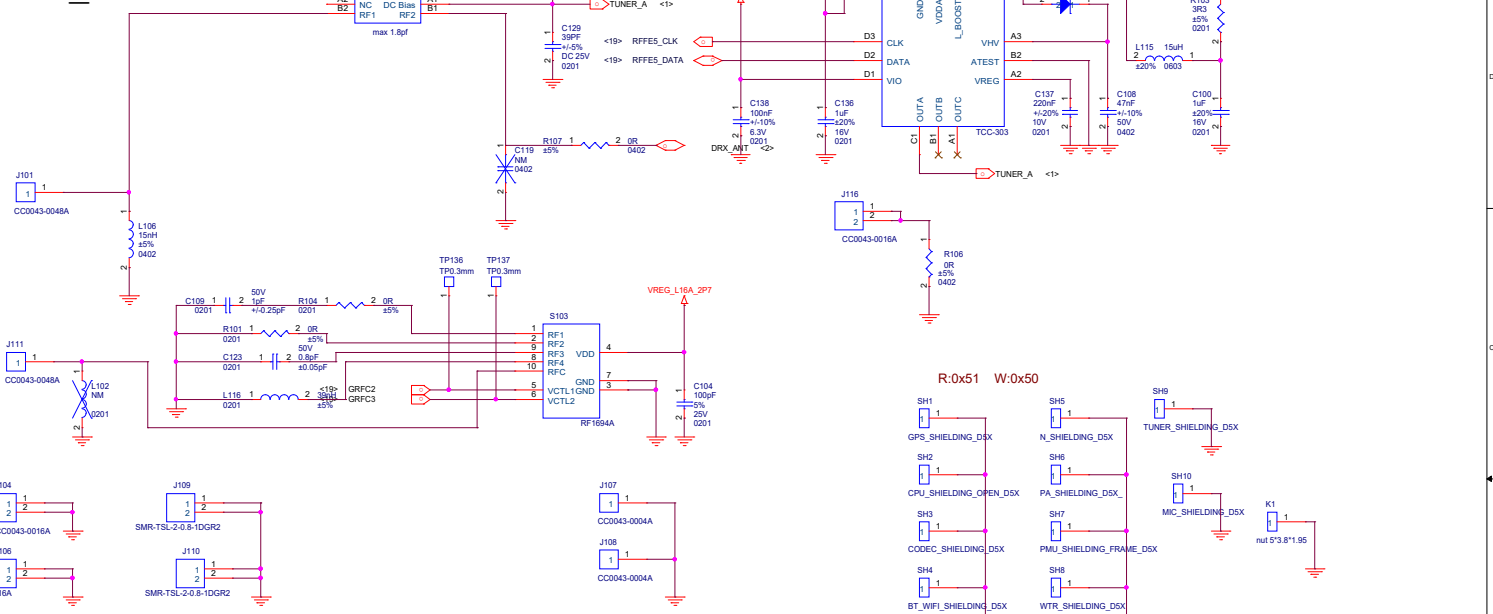
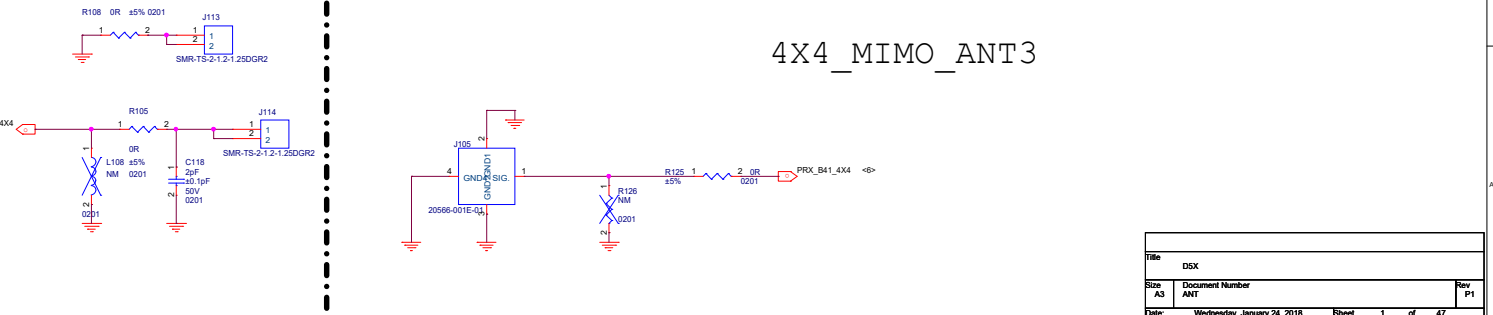


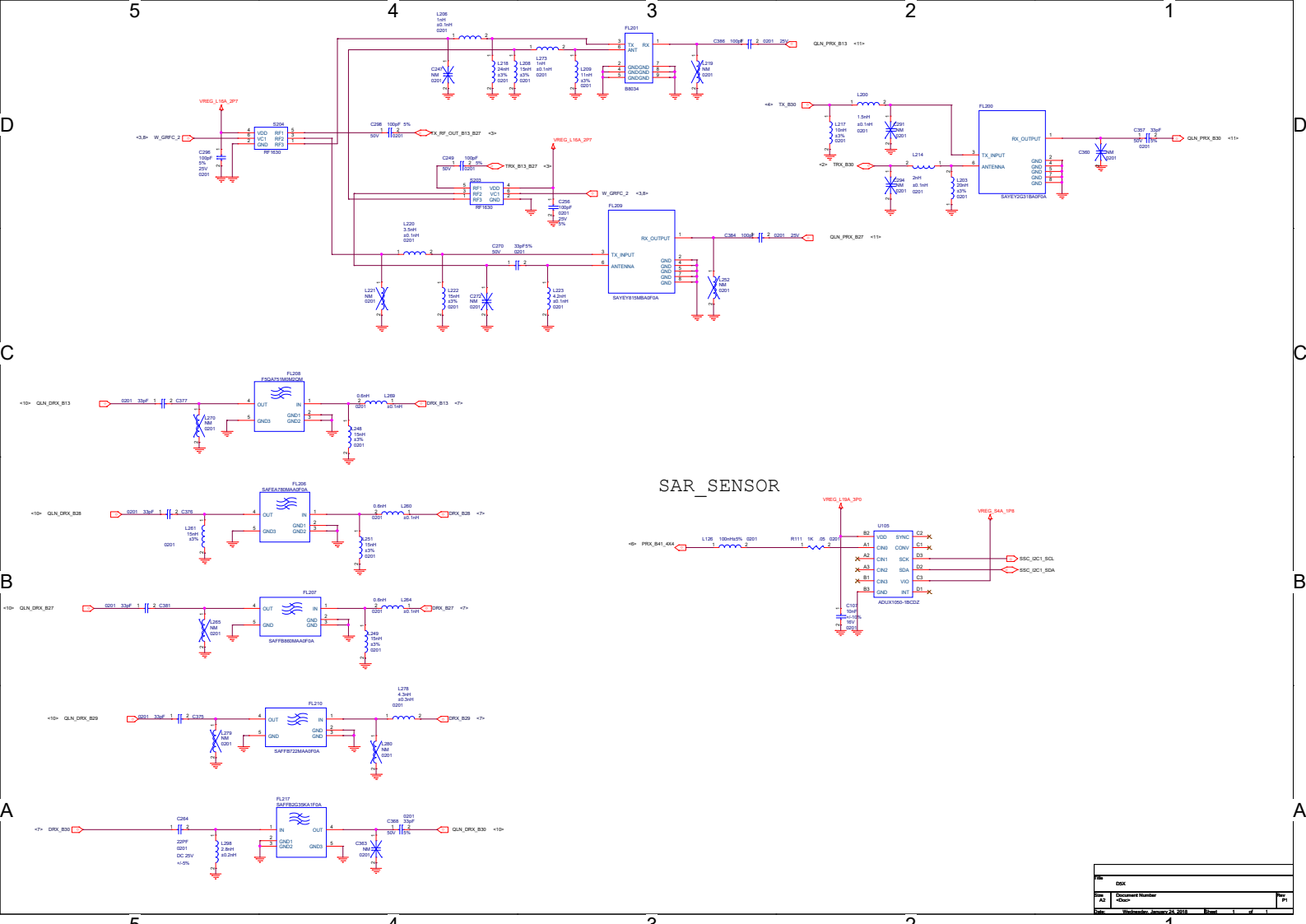
# DRX\_ANT



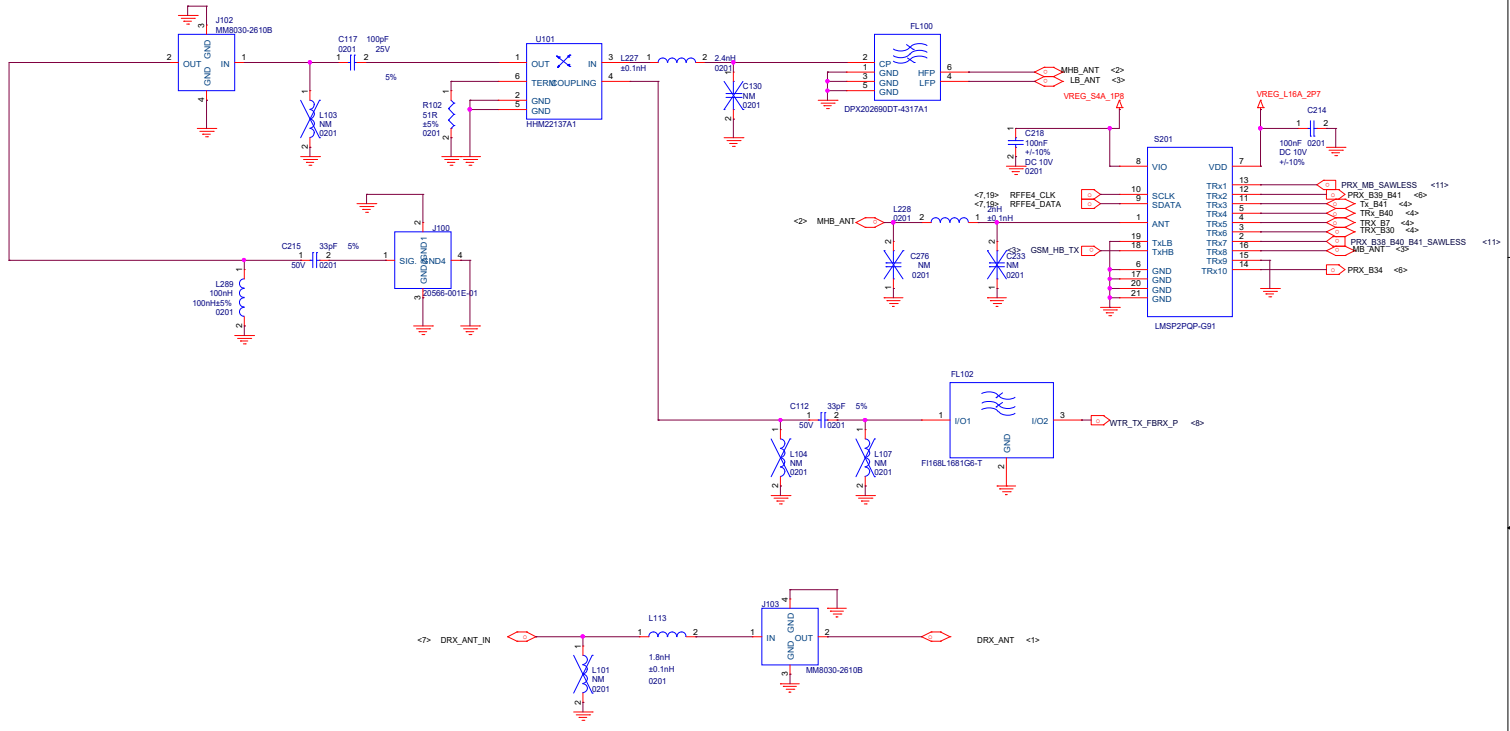
# 4X4\_MIMO\_ANT3



Title	DSX	
Size	Document Number	Rev
A3	ANT	P1
Date	Wednesday, January 24, 2018	Sheet 1 of 47

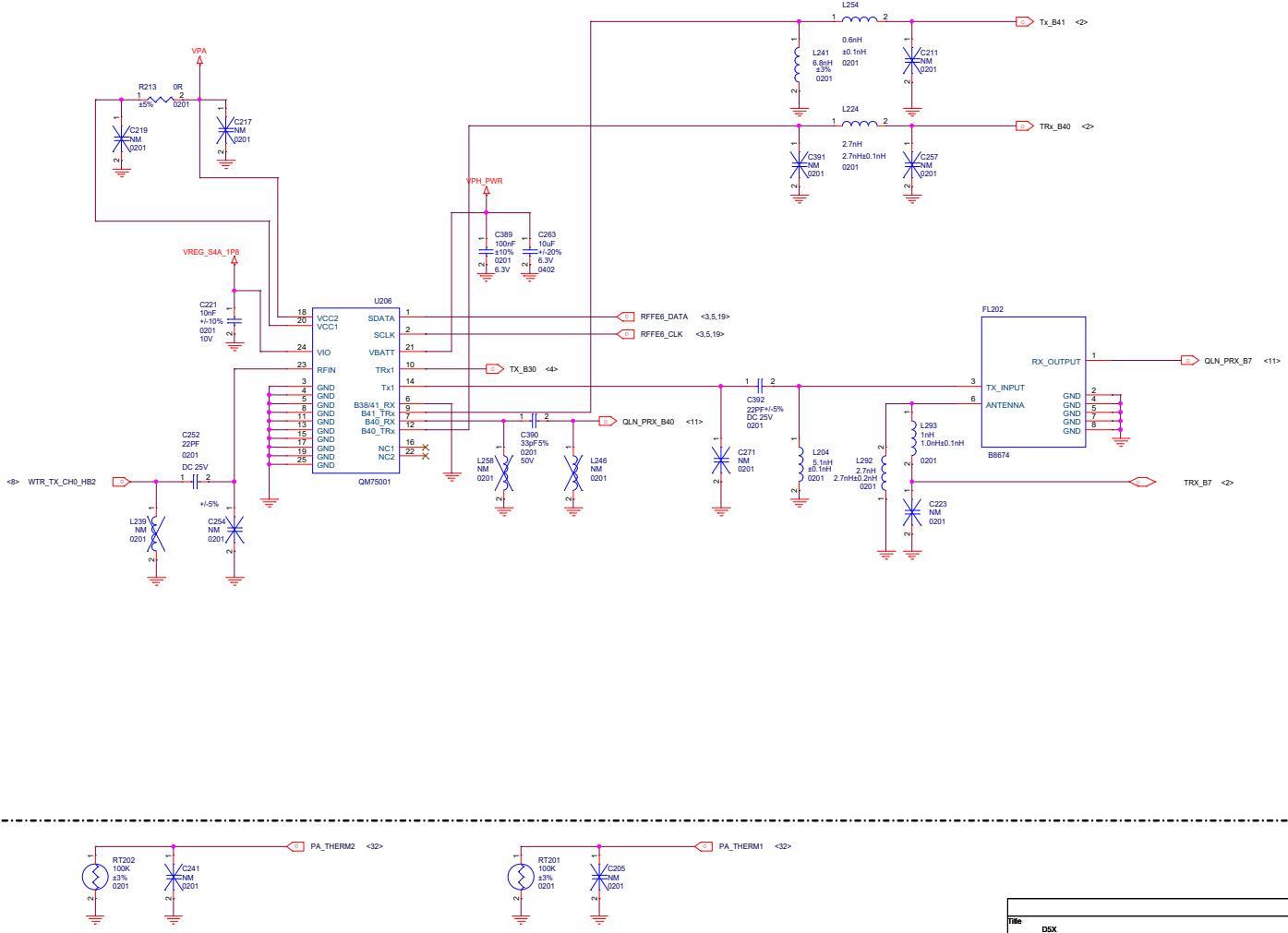


Pin	IO
A1	Document Number
A2	<Doc>
Rev	PI



Title		DSX	
Size		Document Number	
A3		COUPLERASWITCH	
Date:	Wednesday, January 24, 2018	Sheet	2 of 47
			Rev P1

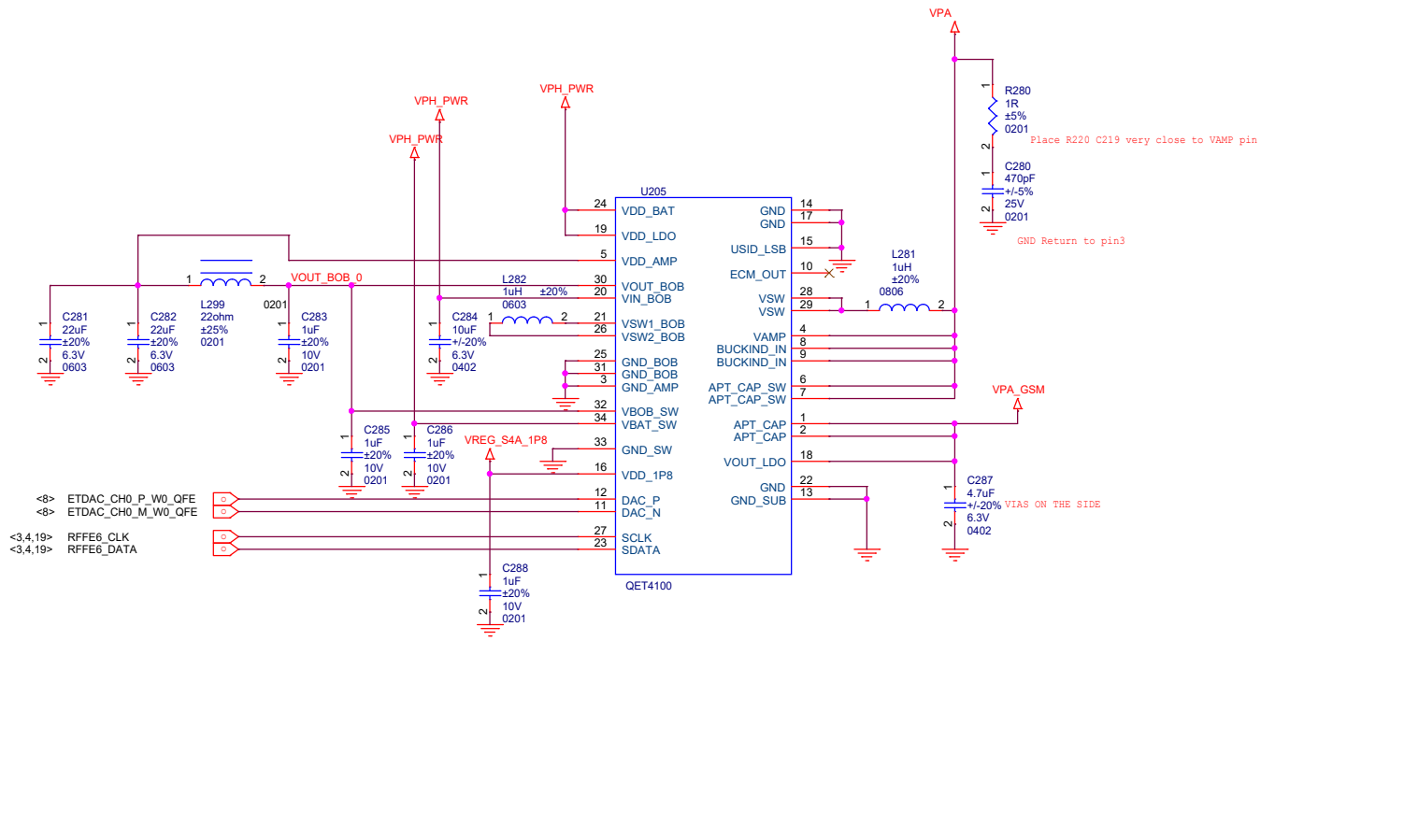




Title			DSX
Size	Document Number	Rev	
A3	HBPA	P1	
Date:	Wednesday, January 24, 2018	Sheet	4 of 47

RF7301 LOGIC

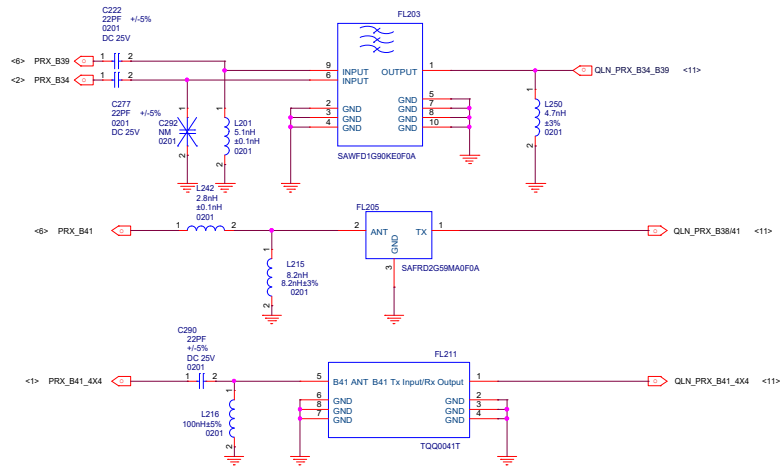
POWER MODE	PA_ON3_B34_B39	TDS_PA0_R0	TDS
POWER DOWN MODE	L	L	
STANDBY MODE	L	X	
HIGH POWER STATE	H	L	
MEDIUM POWER STATE	H	H	
LOW POWER STATE		H	



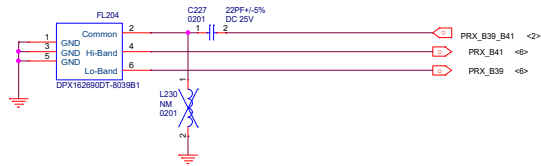
<8> ETDAC\_CH0\_P\_W0\_QFE  
 <8> ETDAC\_CH0\_M\_W0\_QFE  
 <3,4,19> RFFE6\_CLK  
 <3,4,19> RFFE6\_DATA

Title		
D5X		
Size	Document Number	Rev
A4	QFE4100	P1
Date:	Wednesday, January 24, 2018	Sheet 5 of 47

PRX B34 B39 B41

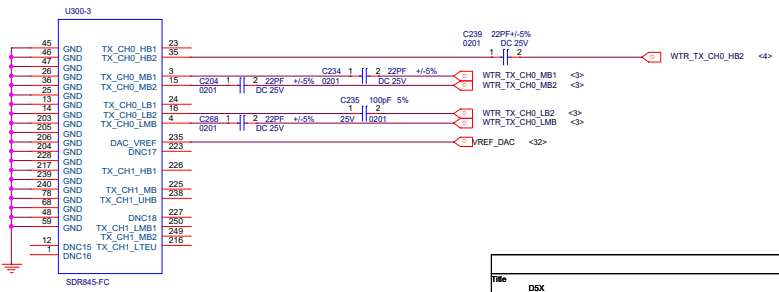
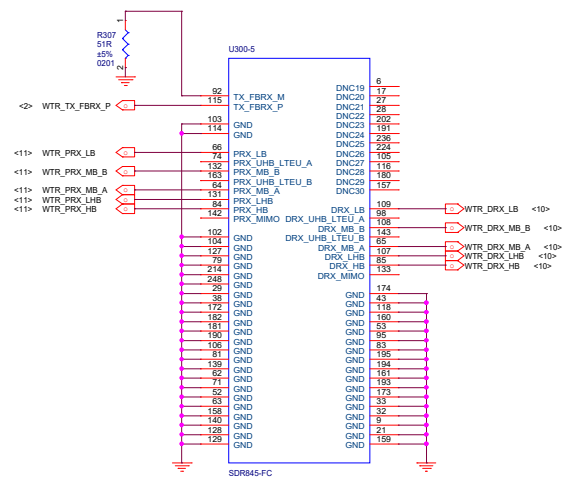
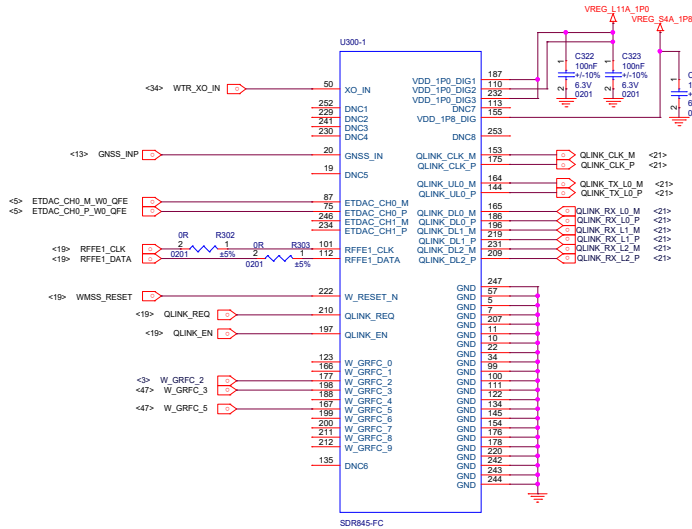


DIPLEXER B39 B41

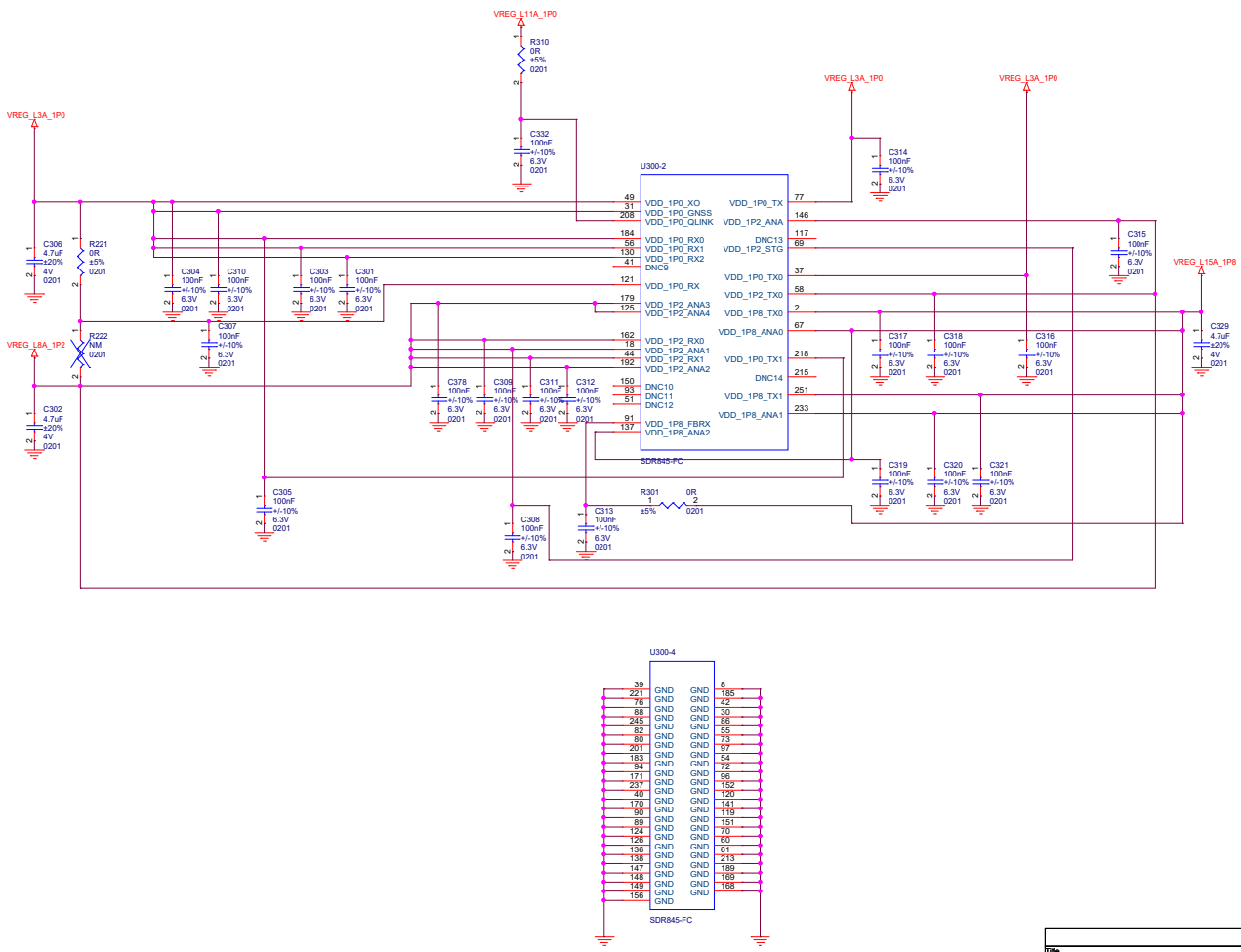


Title		DX	
Size	Document Number	Rev	
A3	PRX	<Rev Code>	
Date:	Wednesday, January 24, 2018	Sheet	6 of 47

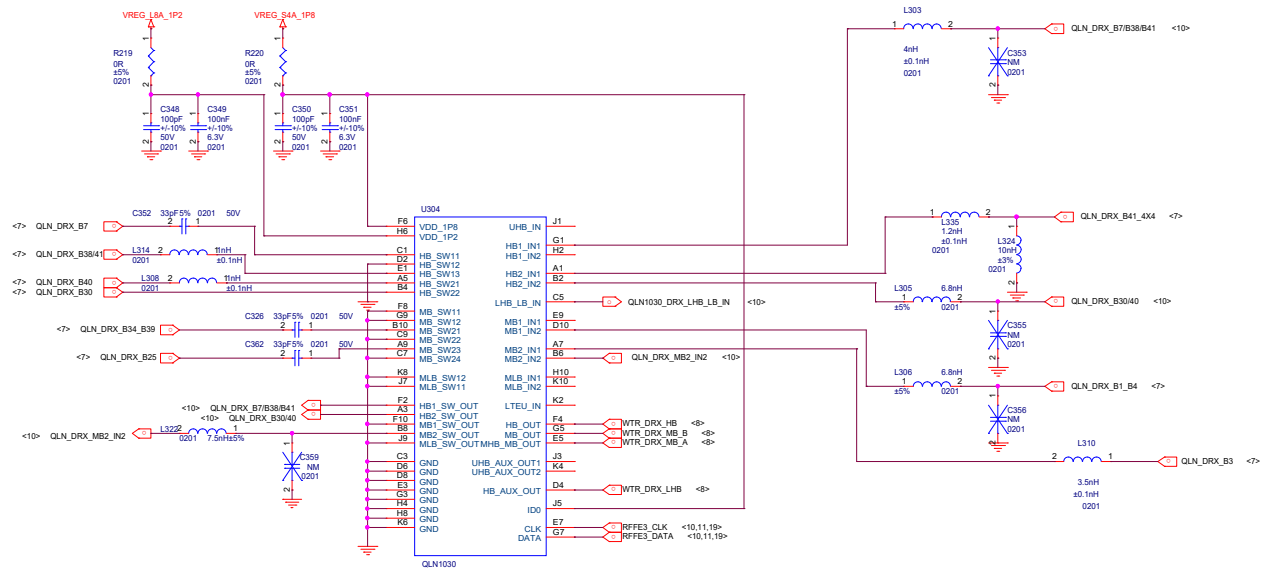
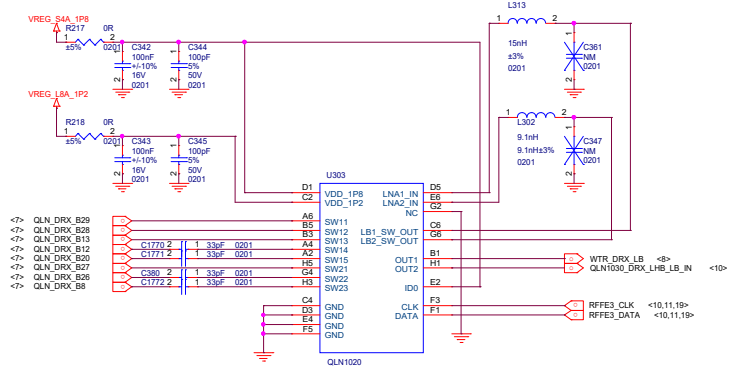




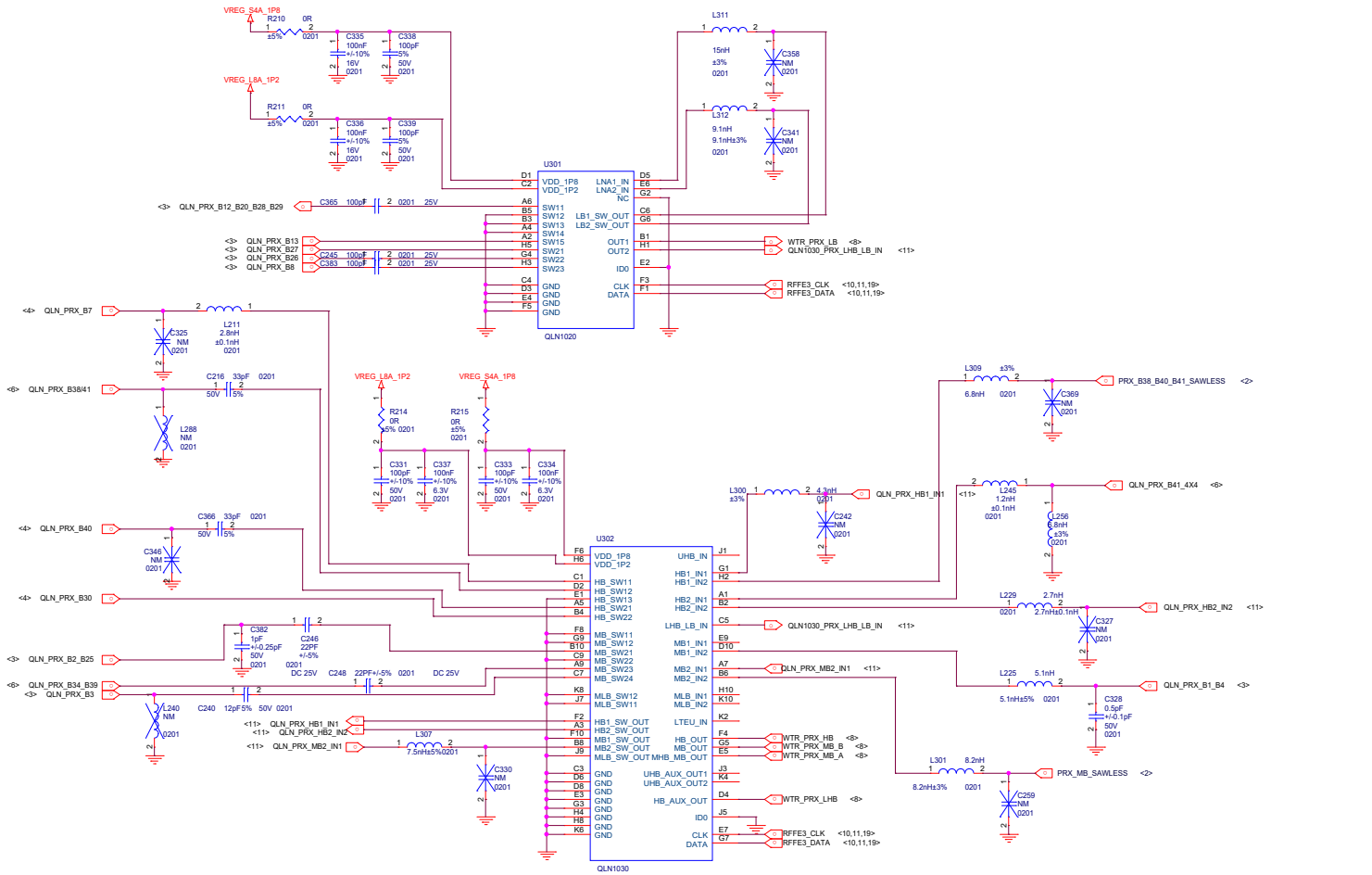
Title	DSX		
Size	A3	Document Number	WTR975 MSS
Date	Wednesday, January 24, 2018	Sheet	8 of 47
		Row	P1



Title			DSX
Size	Document Number	Rev	
A3	WTRSP75 POWER	P0	
Date:	Wednesday, January 26, 2018	Sheet	9 of 47

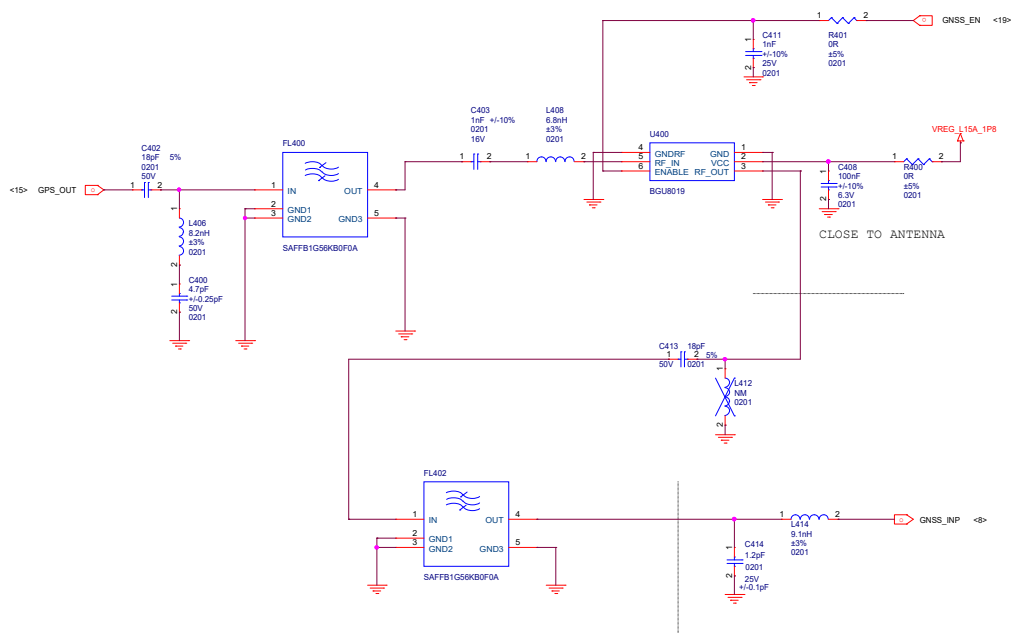


Title	DSX		
Size	AS	Document Number	QLN DRX
Date	Wednesday, January 24, 2018	Sheet	10 of 47
Row	P1		



Title			DSX		
Size	AS	Document Number	QLN PRX		
Date:	Wednesday, January 24, 2018	Sheet	11	of	47

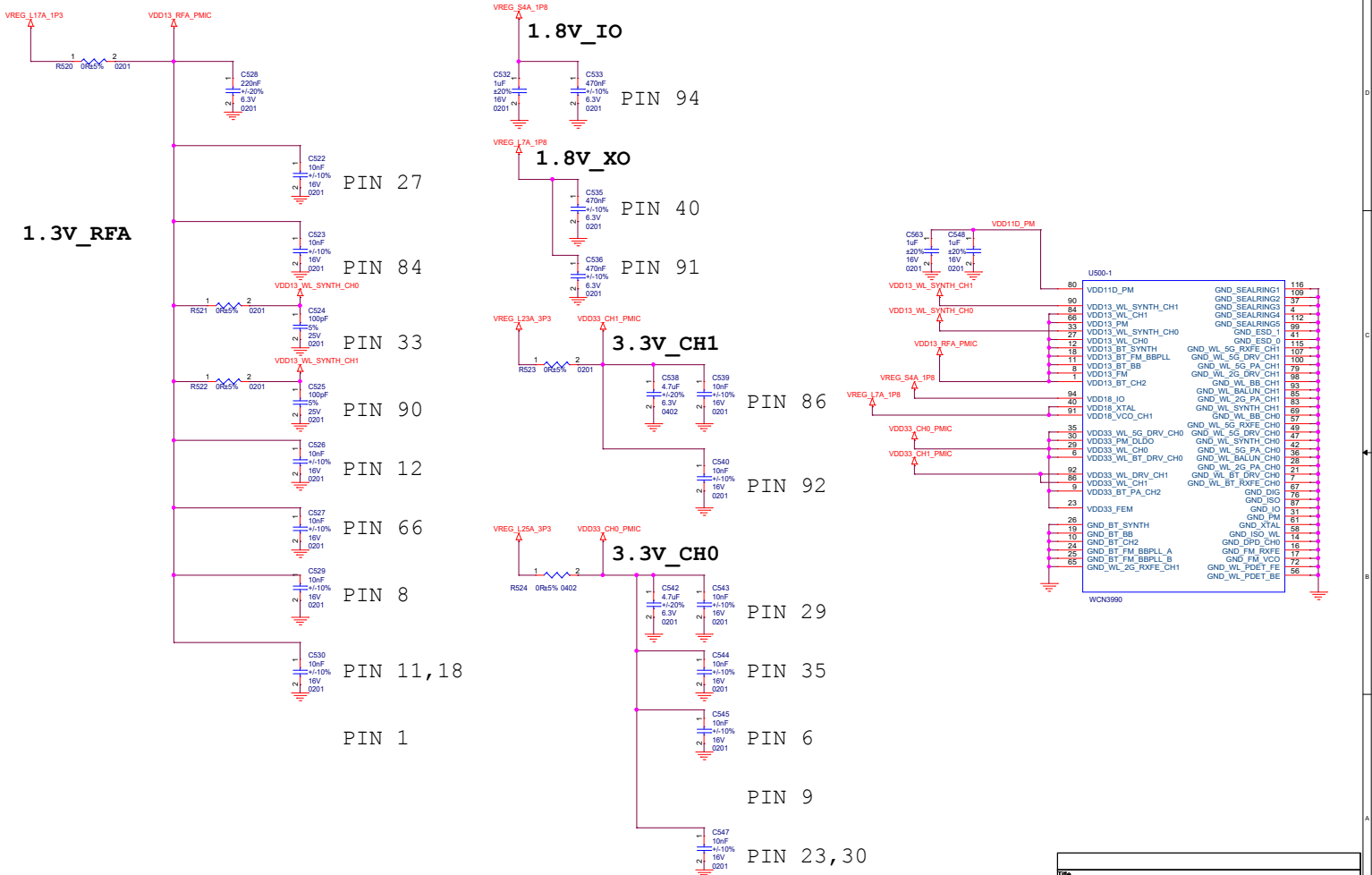




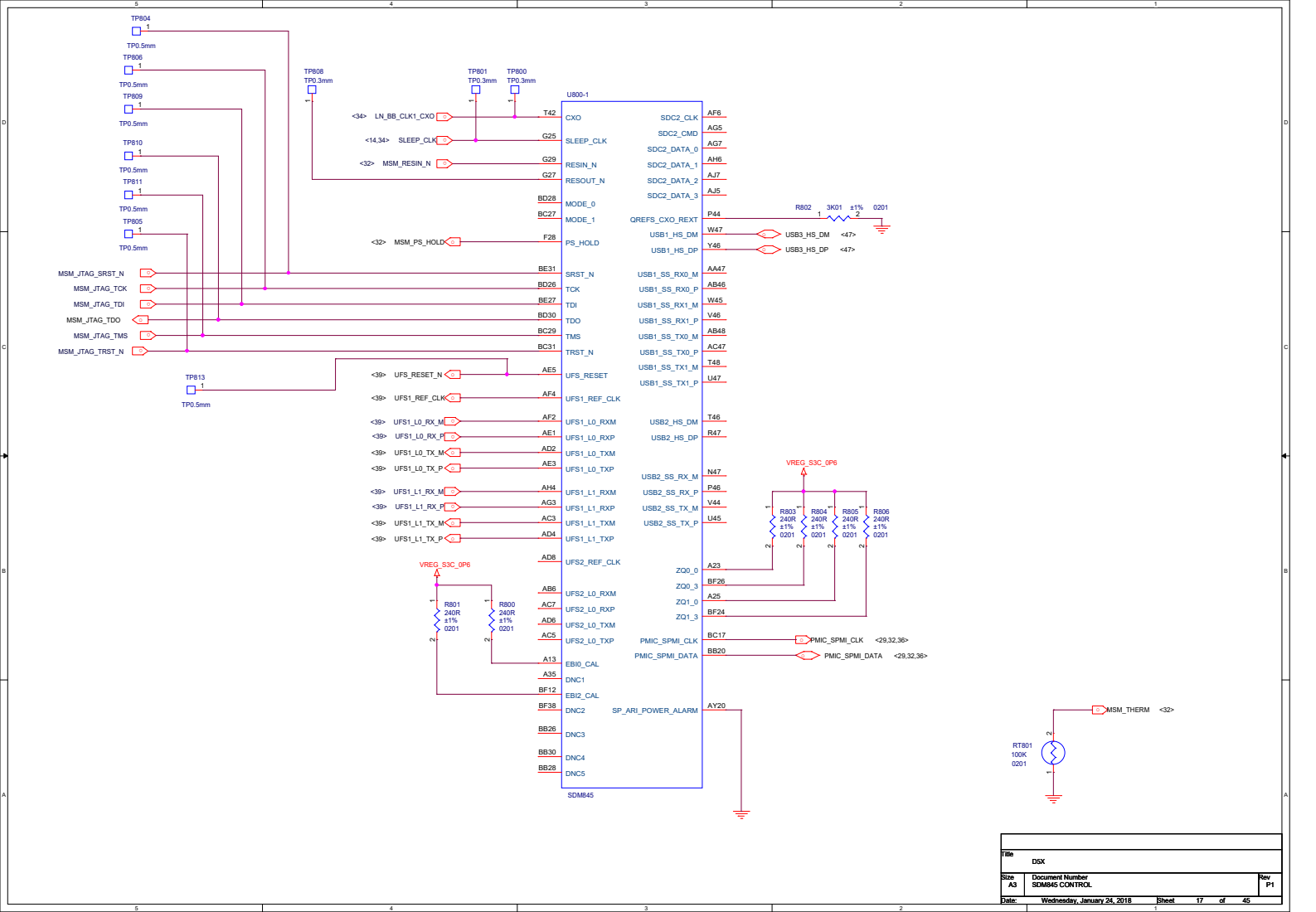
Title		
DSX		
Size	Document Number	Rev
A3	GPS	P1
Date:	Wednesday, January 24, 2018	Sheet 18 of 47

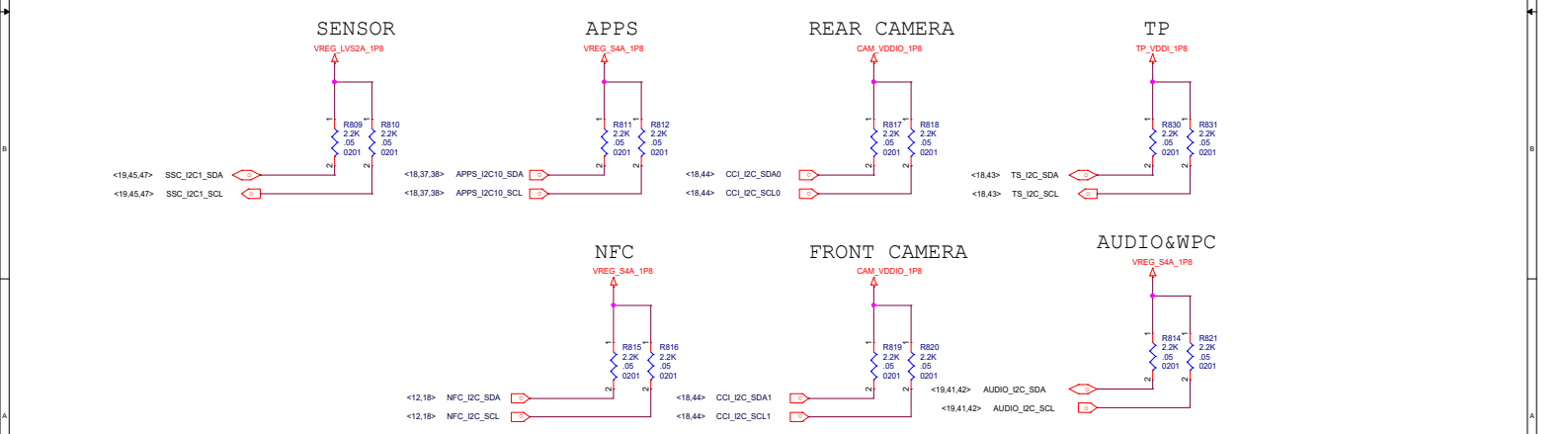
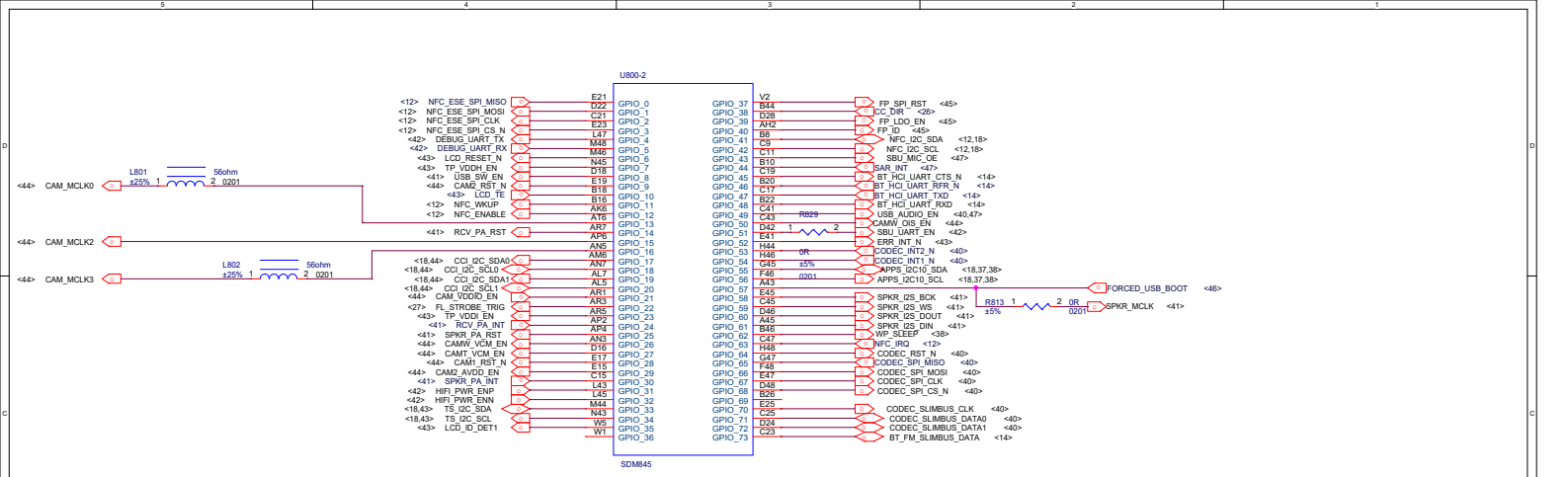




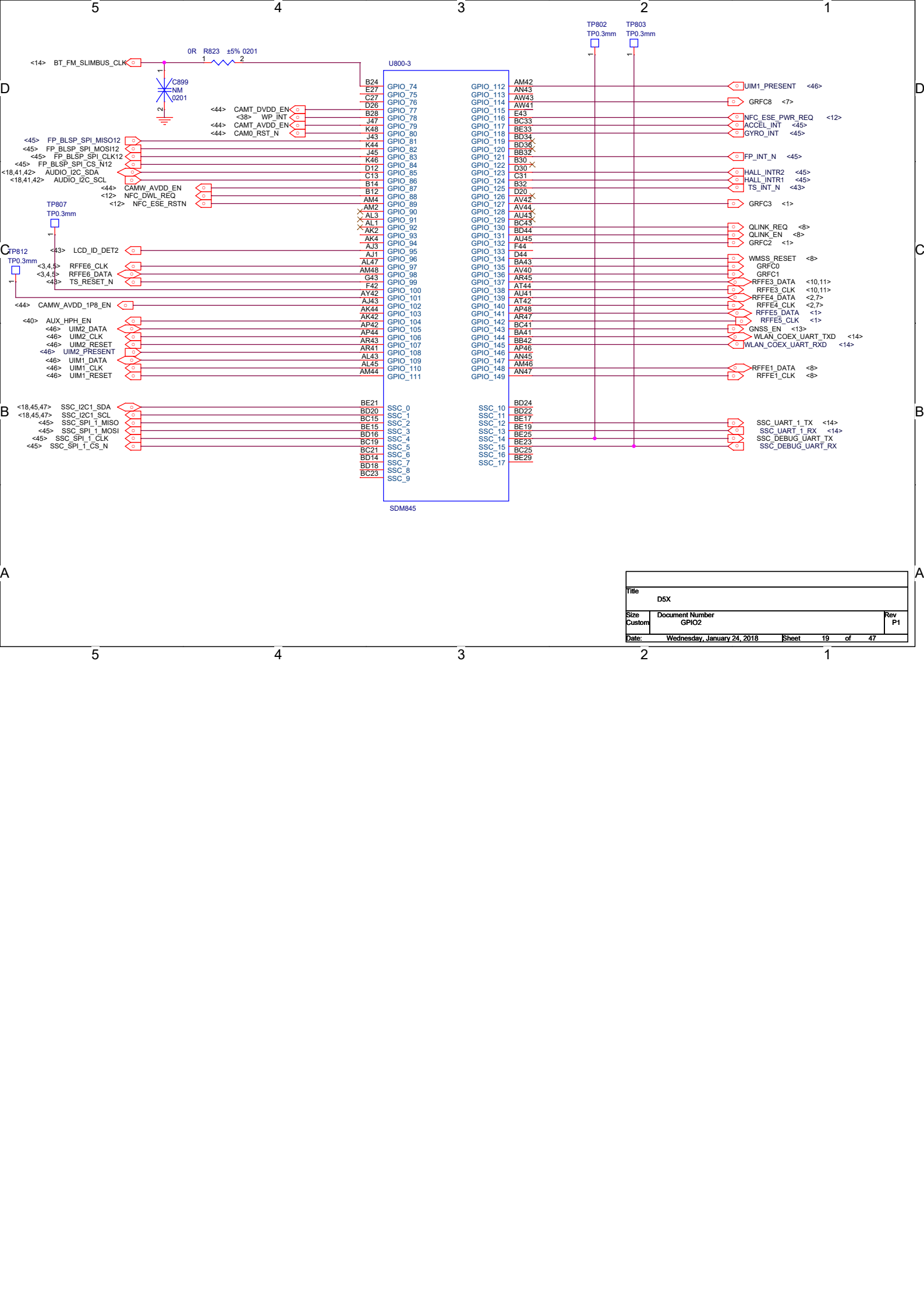


Title			
DSX			
Size	Document Number	Rev	
A3	WLAN DECOUP	P1	
Date:	Wednesday, January 24, 2018	Sheet	18 of 47





File	DSX		
Size	A3	Document Number	SDM845 GPIO1
Date	Wednesday, January 24, 2018	Sheet	18 of 45
Rev	PO		

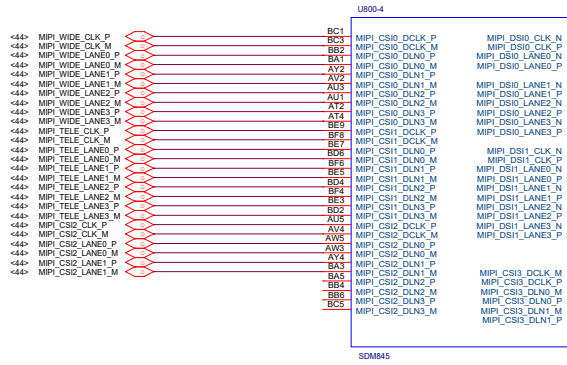


Title			
D5X			
Size	Document Number	Rev	
Custom	GPIO2	P1	
Date:	Wednesday, January 24, 2018	Sheet	19 of 47

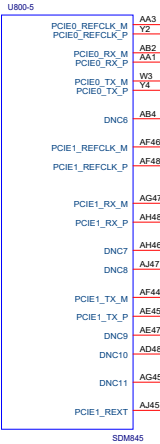
REAR CAMERA 3M3

REAR CAMERA 2L7

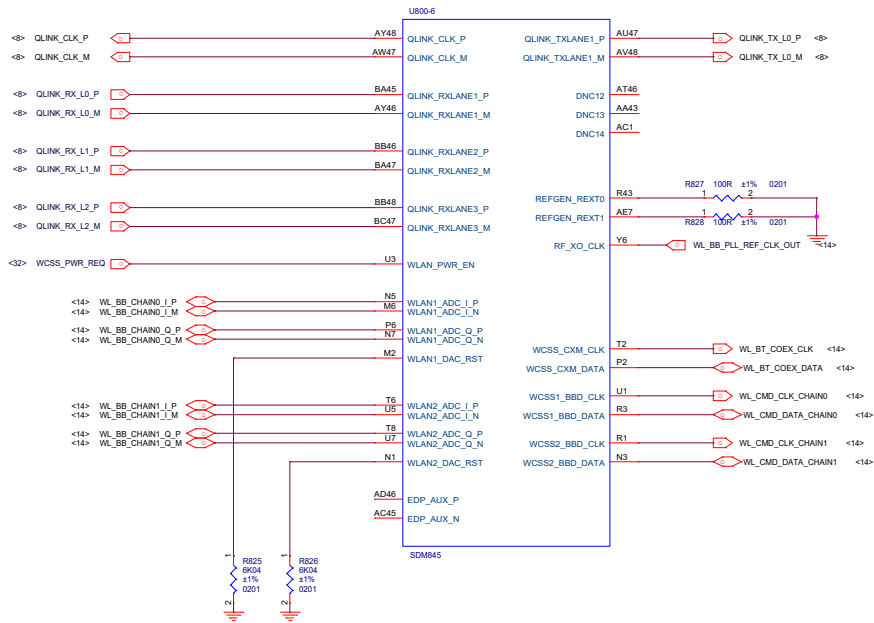
FRONT CAMERA IMX386



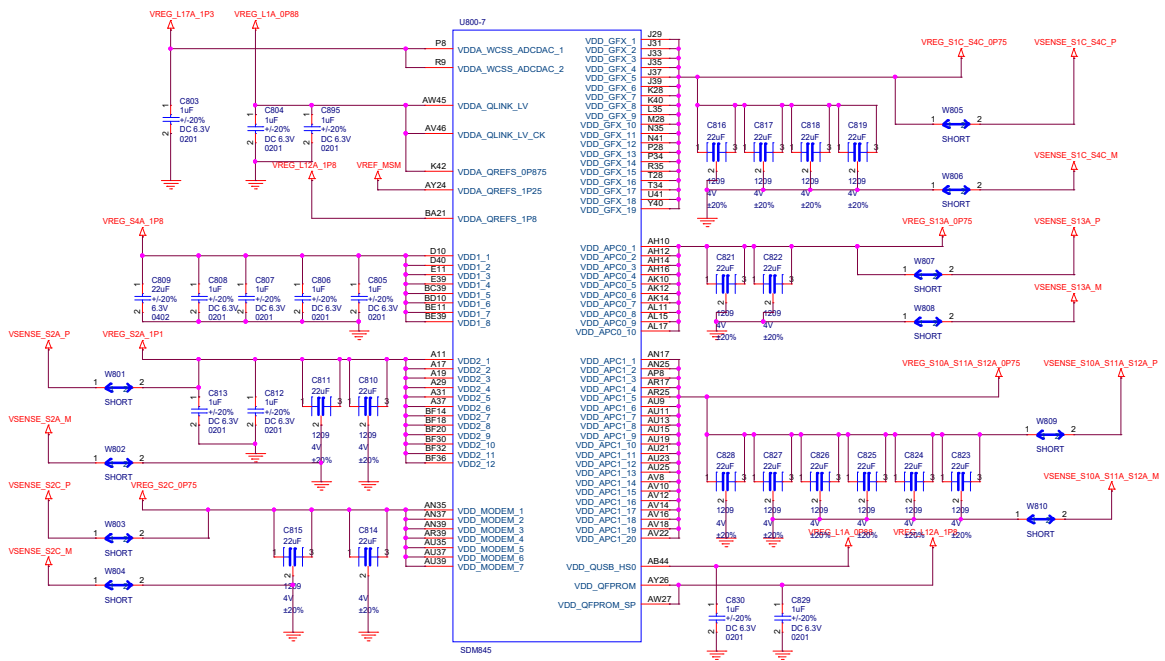
DISPLAY



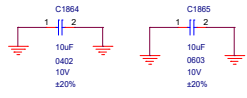
Title		DSX	
Size	A3	Document Number	SDM845 MPI
Date	Wednesday, January 24, 2018	Sheet	20 of 45
Rev	PO		



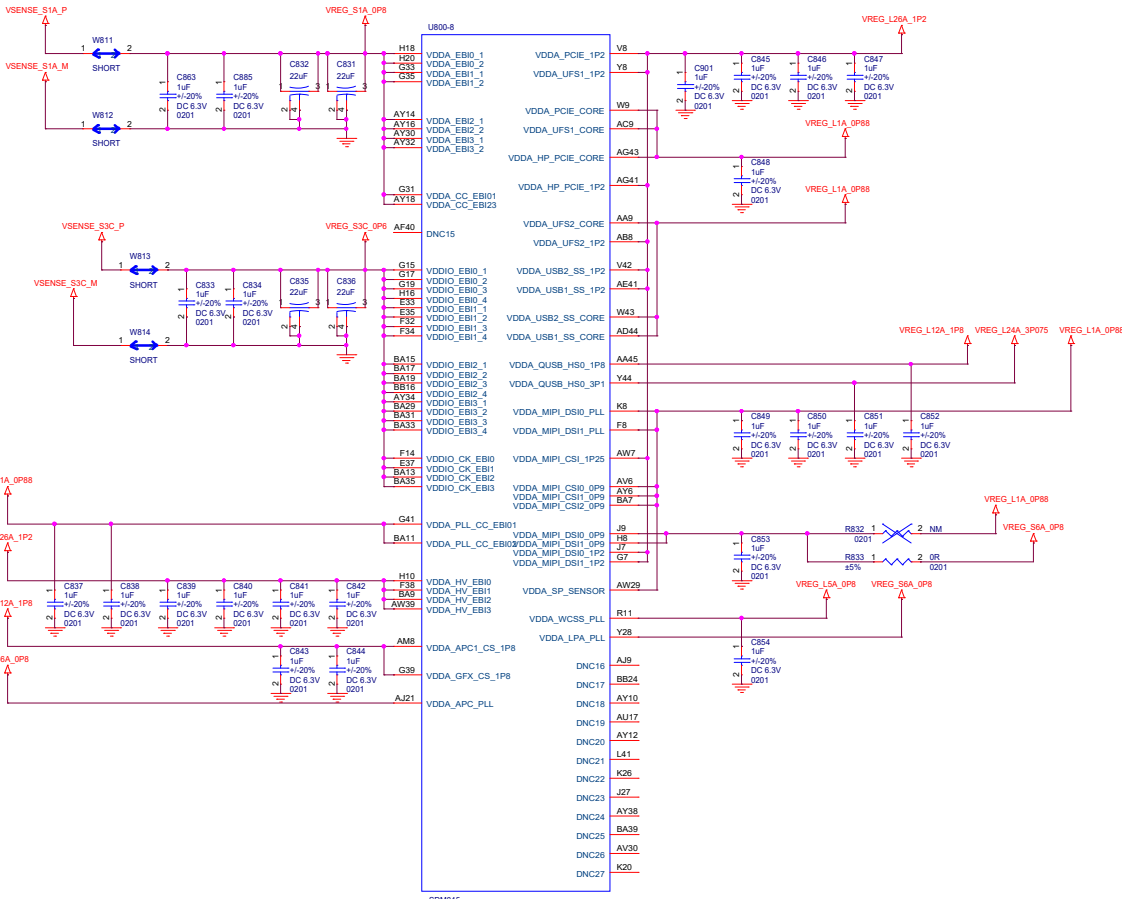
Title		DSX	
Size		Document Number	
A3		SDMB45 RF INTF	
Date:	Wednesday, January 24, 2018	Sheet	21 of 45



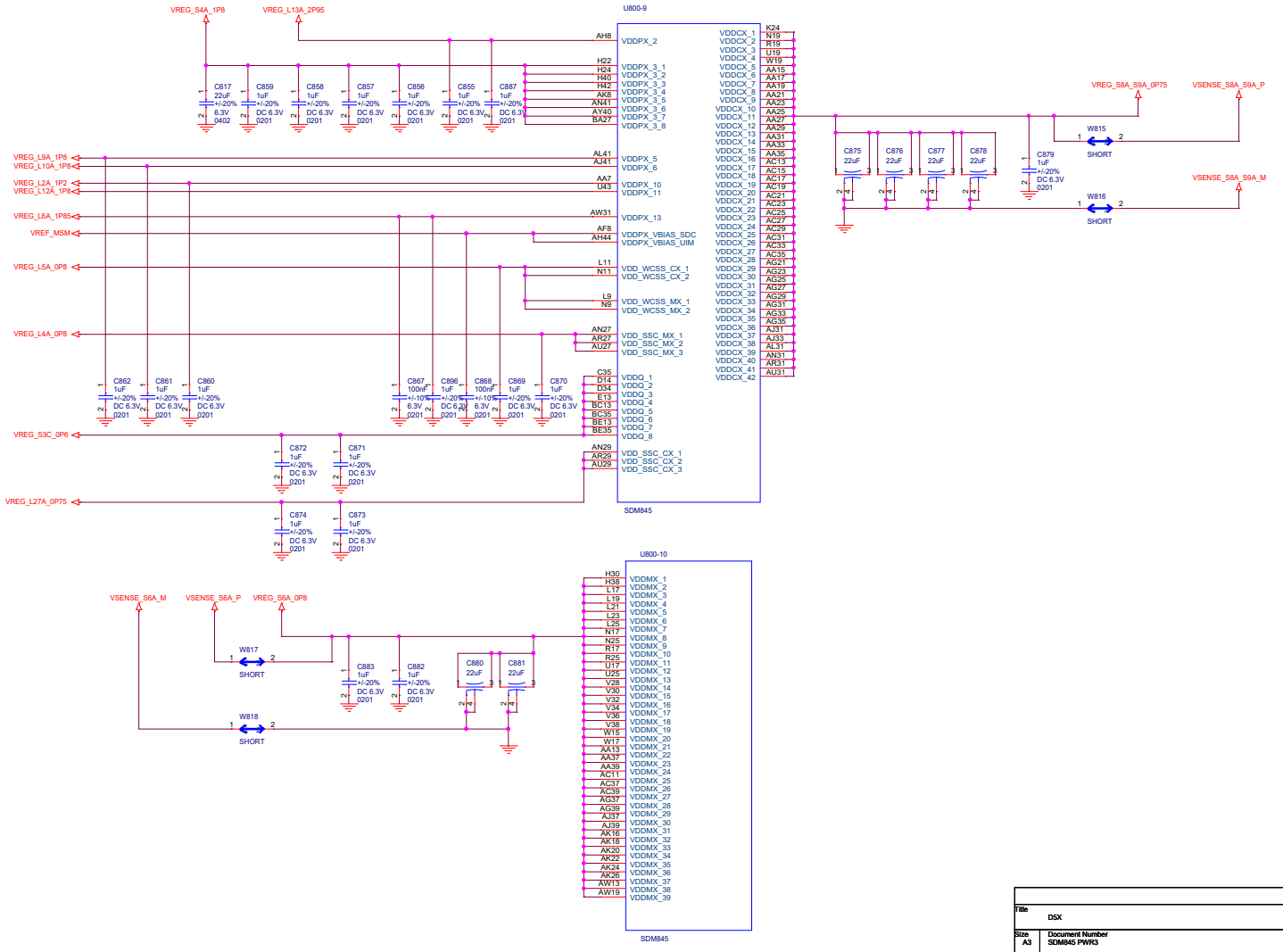
**PROTECT PMU SHILDEING**



File	DSX		
Size	A3	Document Number	MSM8998 PWR1
Date	Wednesday, January 24, 2018	Sheet	22 of 47
Rev	P1		



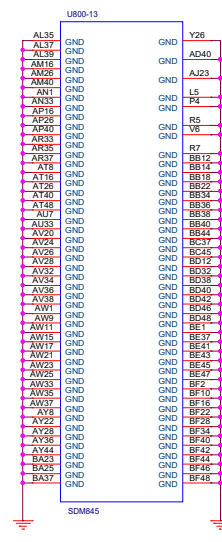
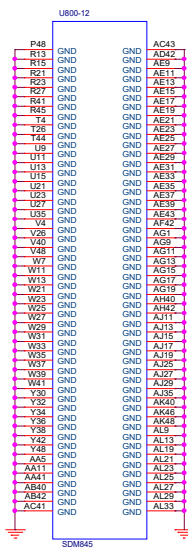
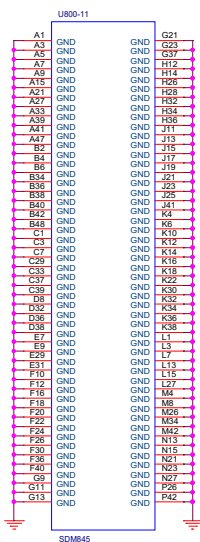
File	DSX	
Size	Document Number	Rev
A3	SDMB45 PWR2	P1
Date:	Wednesday, January 24, 2018	Sheet 23 of 45



- U800-9
- VDDPX\_2
  - VDDPX\_3\_1
  - VDDPX\_3\_2
  - VDDPX\_3\_3
  - VDDPX\_3\_4
  - VDDPX\_3\_5
  - VDDPX\_3\_6
  - VDDPX\_3\_7
  - VDDPX\_3\_8
  - VDDPX\_5
  - VDDPX\_6
  - VDDPX\_10
  - VDDPX\_11
  - VDDPX\_13
  - VDDPX\_VBIAS\_SDC
  - VDDPX\_VBIAS\_UIM
  - VDD\_WCSS\_CX\_1
  - VDD\_WCSS\_CX\_2
  - VDD\_WCSS\_MX\_1
  - VDD\_WCSS\_MX\_2
  - VDD\_SSC\_MX\_1
  - VDD\_SSC\_MX\_2
  - VDD\_SSC\_MX\_3
  - VDDQX\_1
  - VDDQX\_2
  - VDDQX\_3
  - VDDQX\_4
  - VDDQX\_5
  - VDDQX\_7
  - VDDQX\_8
  - VDD\_SSC\_CX\_1
  - VDD\_SSC\_CX\_2
  - VDD\_SSC\_CX\_3

- U800-10
- VDDMX\_1
  - VDDMX\_2
  - VDDMX\_3
  - VDDMX\_4
  - VDDMX\_5
  - VDDMX\_6
  - VDDMX\_7
  - VDDMX\_8
  - VDDMX\_9
  - VDDMX\_10
  - VDDMX\_11
  - VDDMX\_12
  - VDDMX\_13
  - VDDMX\_14
  - VDDMX\_15
  - VDDMX\_16
  - VDDMX\_17
  - VDDMX\_18
  - VDDMX\_19
  - VDDMX\_20
  - VDDMX\_21
  - VDDMX\_22
  - VDDMX\_23
  - VDDMX\_24
  - VDDMX\_25
  - VDDMX\_26
  - VDDMX\_27
  - VDDMX\_28
  - VDDMX\_29
  - VDDMX\_30
  - VDDMX\_31
  - VDDMX\_32
  - VDDMX\_33
  - VDDMX\_34
  - VDDMX\_35
  - VDDMX\_36
  - VDDMX\_37
  - VDDMX\_38
  - VDDMX\_39

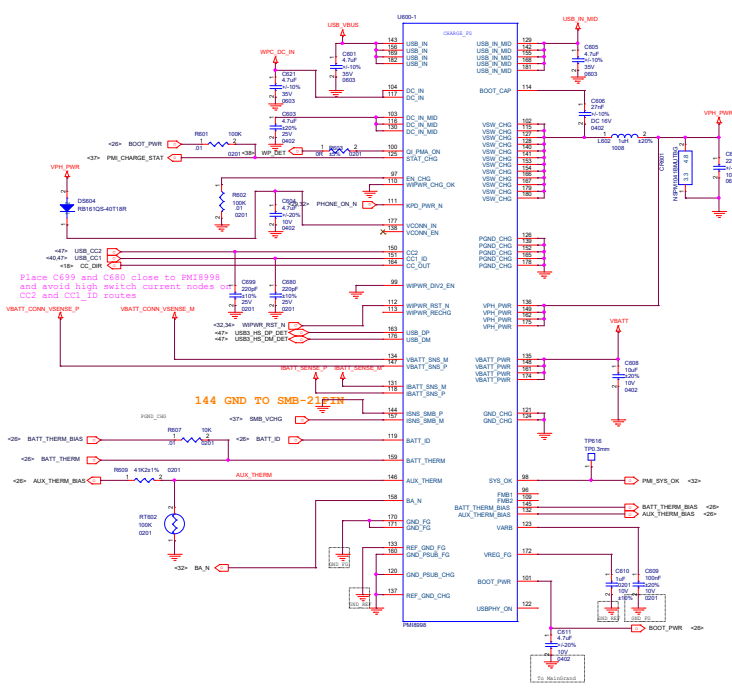
File	DSX		
Size	A3	Document Number	SDM845 PWR3
Date	Wednesday, January 24, 2018	Sheet	34 of 47
Rev	P1		



File	DSX		
Size	A3	Document Number	SDM845 GND
Date	Wednesday, January 24, 2018	Sheet	26 of 47
		Rev	PO

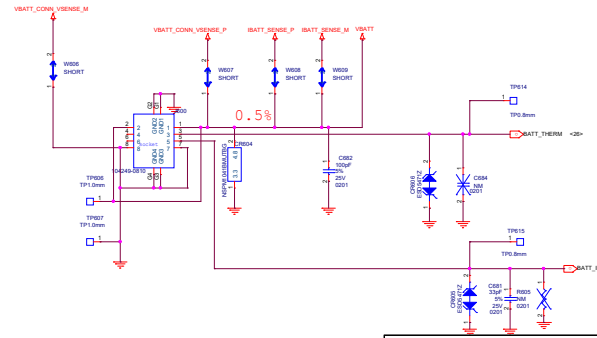
**CHARGE\_FG**

**VCONN**

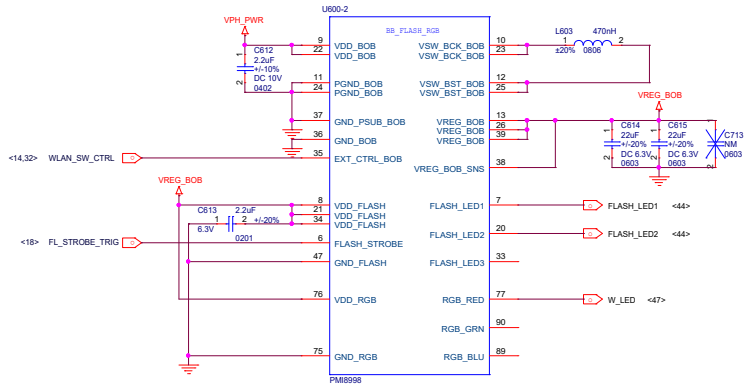


**PCA9491UK**

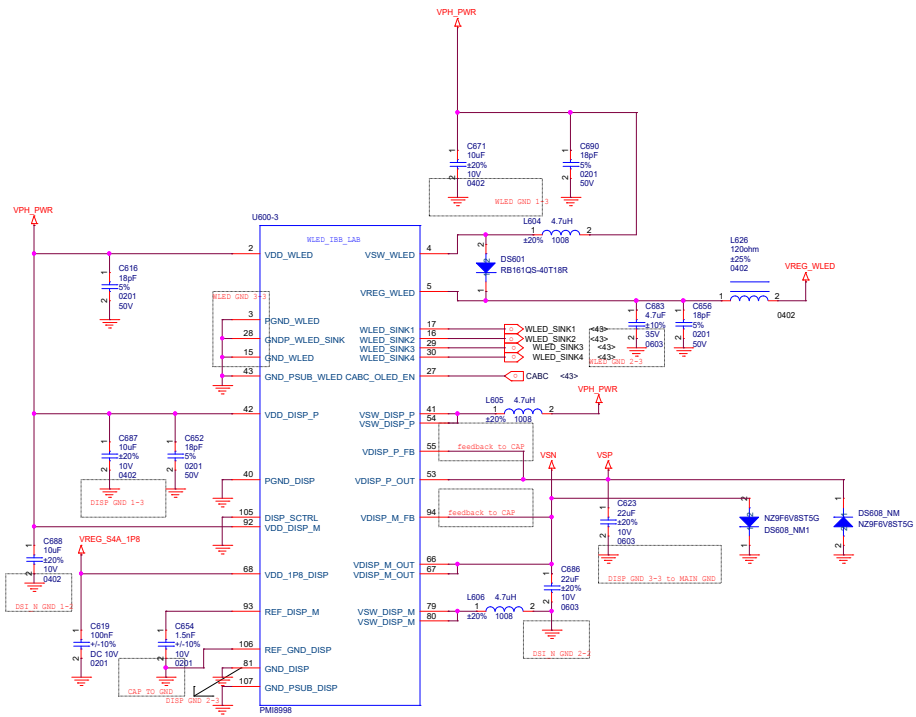
**BATTERY CONN**



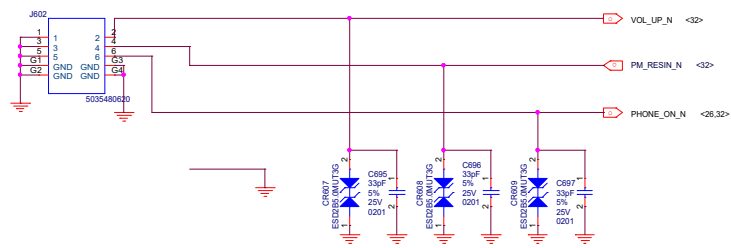
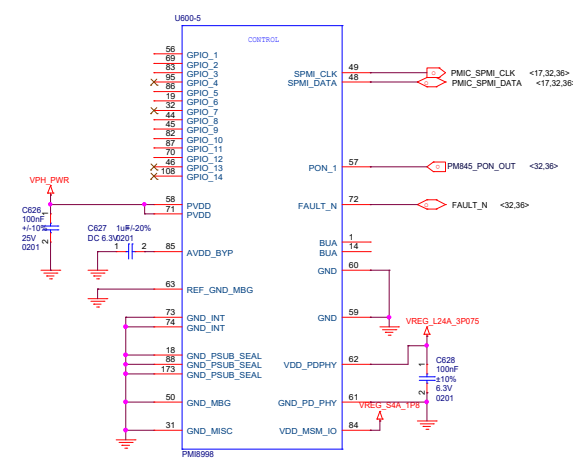
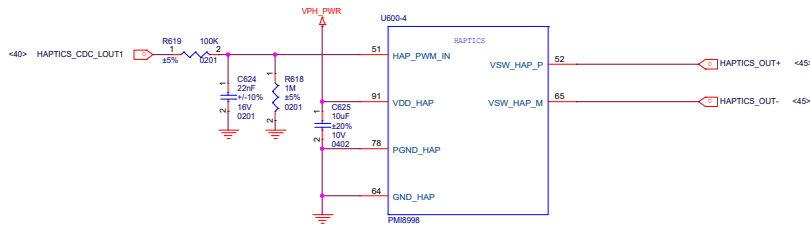
Doc	Charge FG	Rev	1.0
Proj	Passive Charge	Sheet	1 of 1
Date: 2024.08.28 10:00:00			



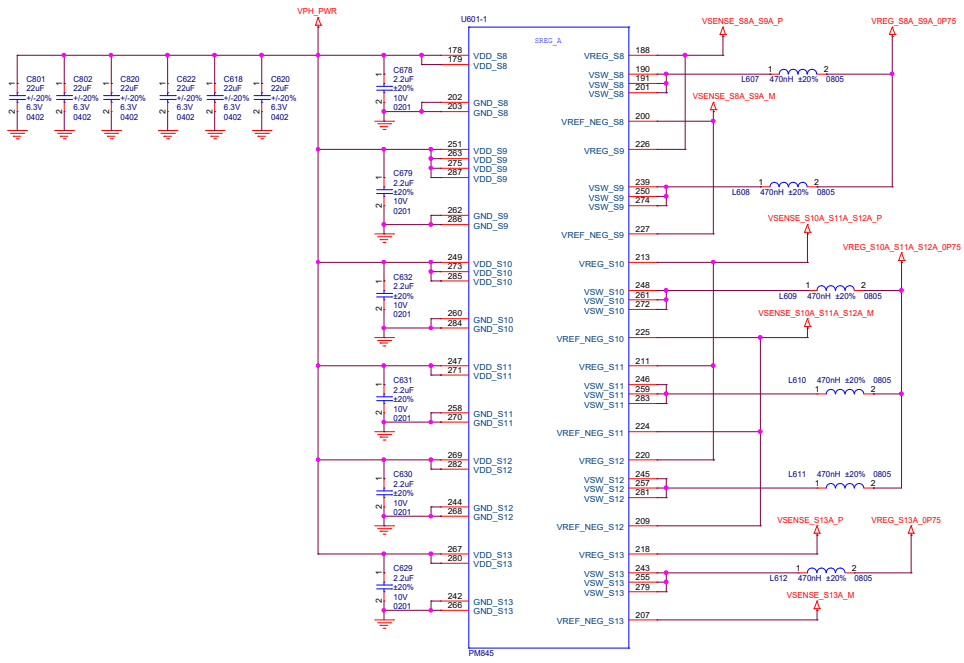
File	DSX	
Size	Document Number	Rev
A3	PM8598 BB_FLASH_RGB	P1
Date:	Wednesday, January 24, 2015	Sheet 27 of 47



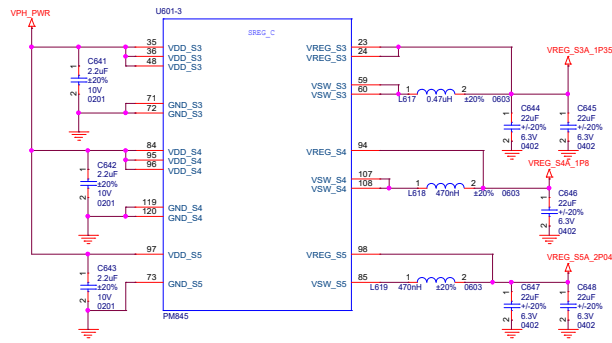
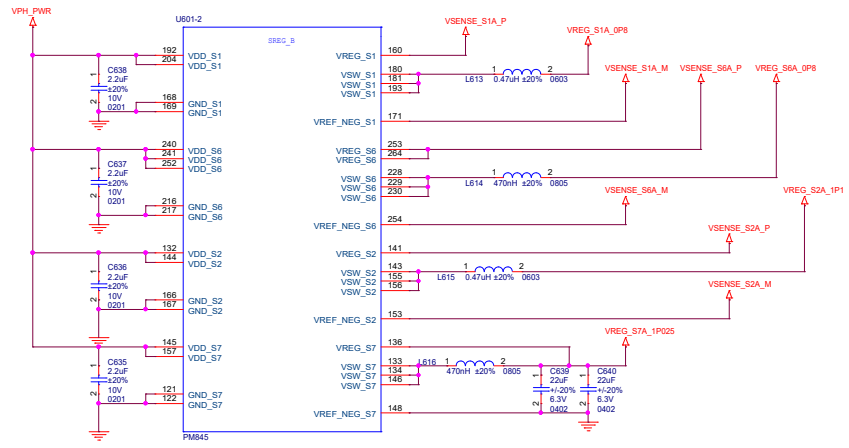
File	DSX	
Size	Document Number	Rev
A3	PM8998 WLED IBB LAB	P1
Date:	Wednesday, January 24, 2018	Sheet 28 of 47



File	DSX	
Size	Document Number	Rev
A3	PM8598 HAPTICS&CONTROL	P1
Date:	Wednesday, January 24, 2016	Sheet 29 of 47

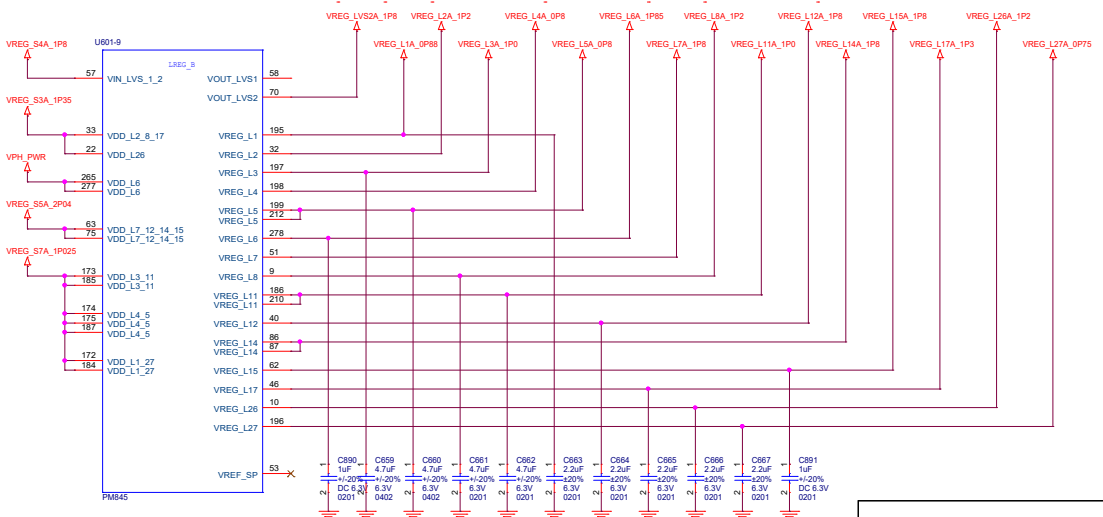
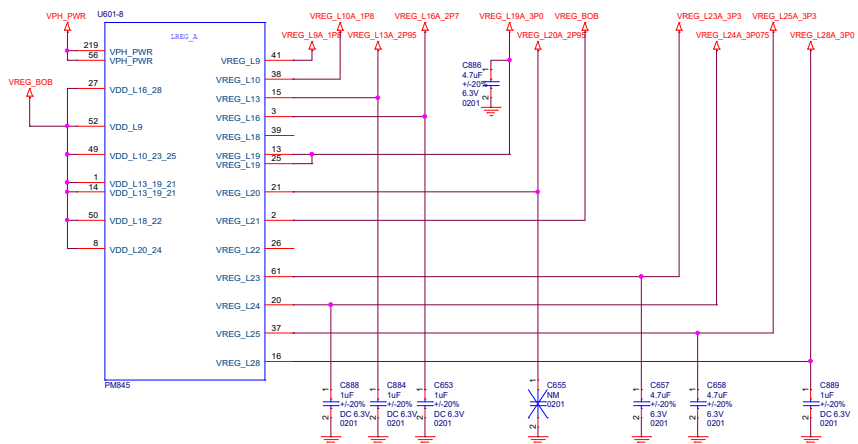


File	DSX	
Size	Document Number	Rev
A3	PM845 SREG A	P1
Date:	Wednesday, January 24, 2018	Sheet 30 of 47

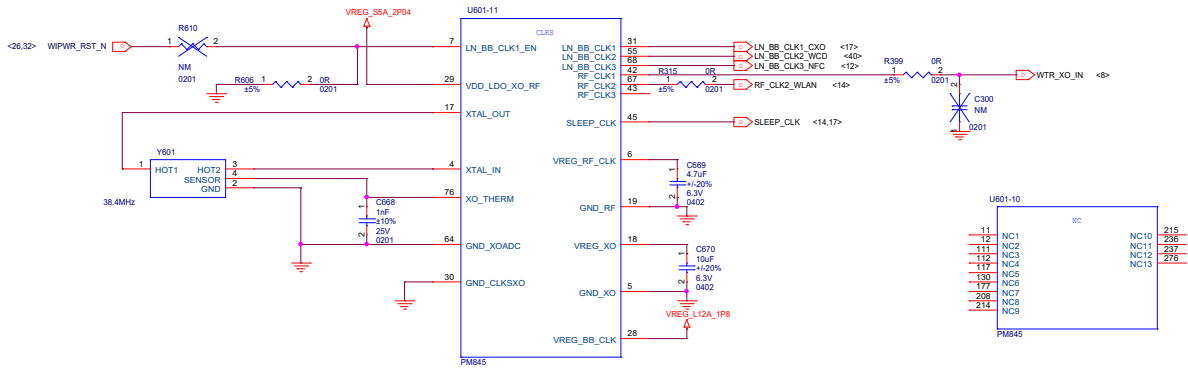


Title		DSX	
Size		Document Number	
A3		PM845 SREG B&C	
Date		Wednesday, January 24, 2016	Sheet 31 of 47
			Rev P1

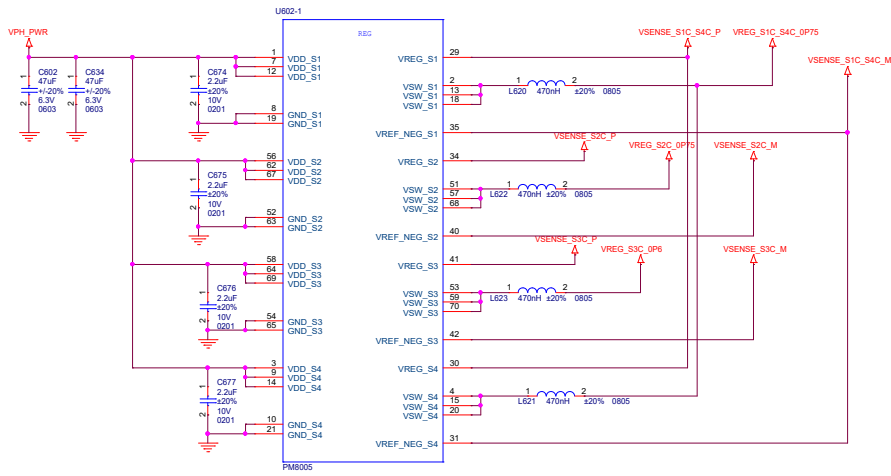




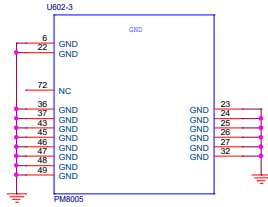
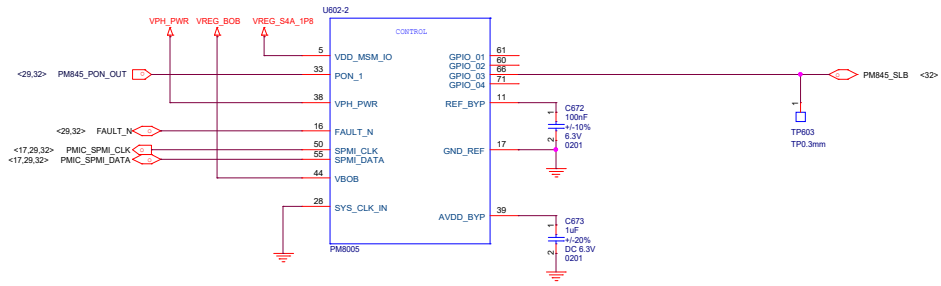
File	DSX		
Size	Document Number		
A3	PMB45 LREG A&B		Rev P1
Date:	Wednesday, January 24, 2018	Sheet	33 of 47



Title		DSX	
Size		Document Number	
A3		PM845 CLAS	Rev P1
Date		Wednesday, January 24, 2018	
Sheet		34 of 47	



Title		DSX	
Size		Document Number	
A3		PM8005 REG	
Date		Wednesday, January 24, 2018	
Sheet		35 of 47	
Rev		P1	

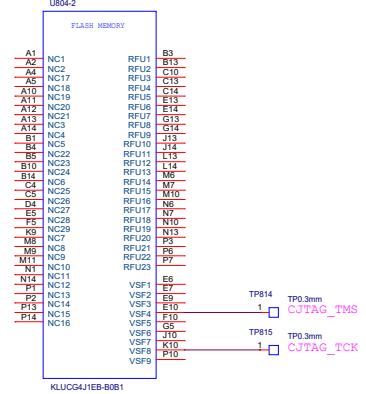
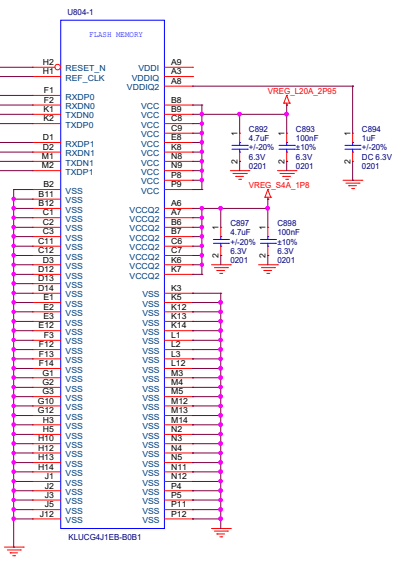


Title	DSX	
Size	Document Number	Rev
A3	PM8005 CONTROL&GND	P1
Date:	Wednesday, January 24, 2016	Sheet 38 of 47





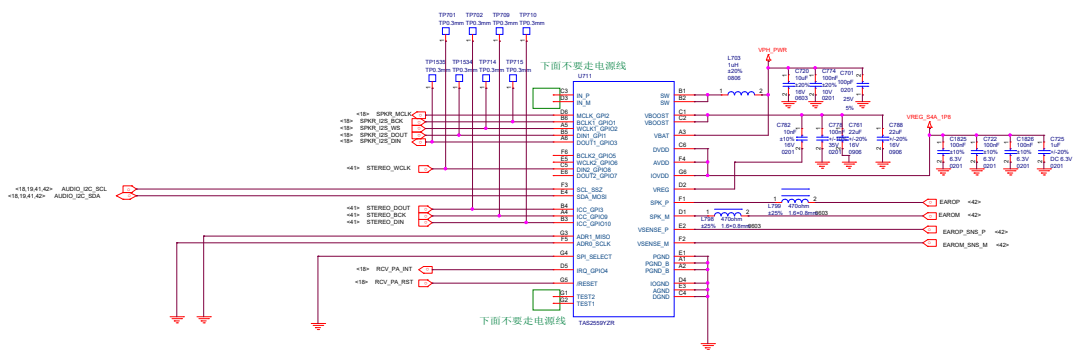
<17> UFS\_RESET\_N  
 <17> UFS1\_REF\_CLK  
 <17> UFS1\_L0\_TX\_P  
 <17> UFS1\_L0\_TX\_M  
 <17> UFS1\_L0\_RX\_M  
 <17> UFS1\_L0\_RX\_P  
 <17> UFS1\_L1\_TX\_P  
 <17> UFS1\_L1\_TX\_M  
 <17> UFS1\_L1\_RX\_M  
 <17> UFS1\_L1\_RX\_P



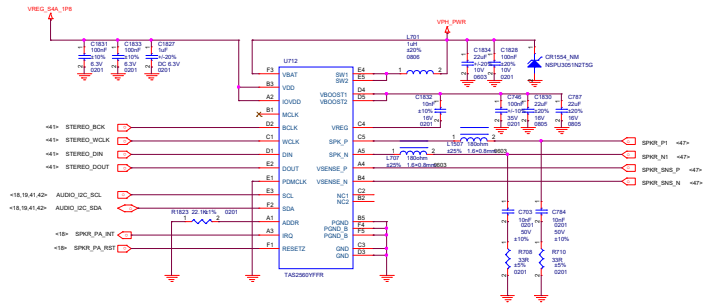
Title		D6X	
Size	Document Number	Rev	
A3	MEMORY UFS	P1	
Date:	Wednesday, January 24, 2018	Sheet	39 of 47



# Receiver PA R: 0x99 W:0x98

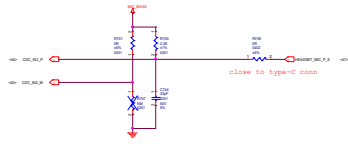


# Speaker PA R:0x9F W:0x9E

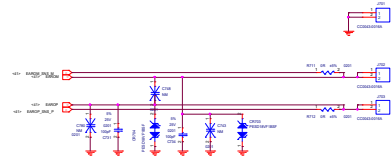


Rev	001	Rev	P1
Doc	Docuement Number		
A2	SDA07PA		
Rev	00000000000000000000	Rev	01 01 01

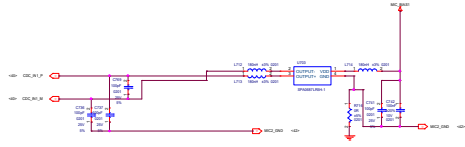
### HEADSET



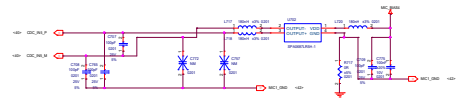
### Receiver



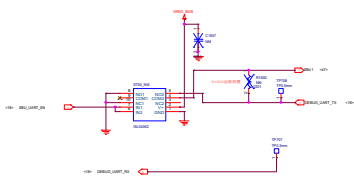
### AUX Mic1



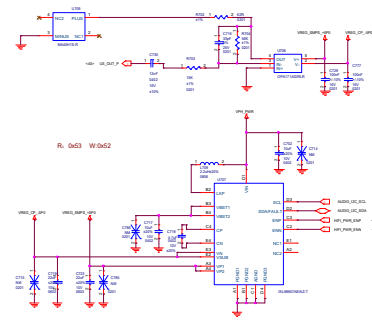
### ULTRASONIC Mic1



### UART SWITCH

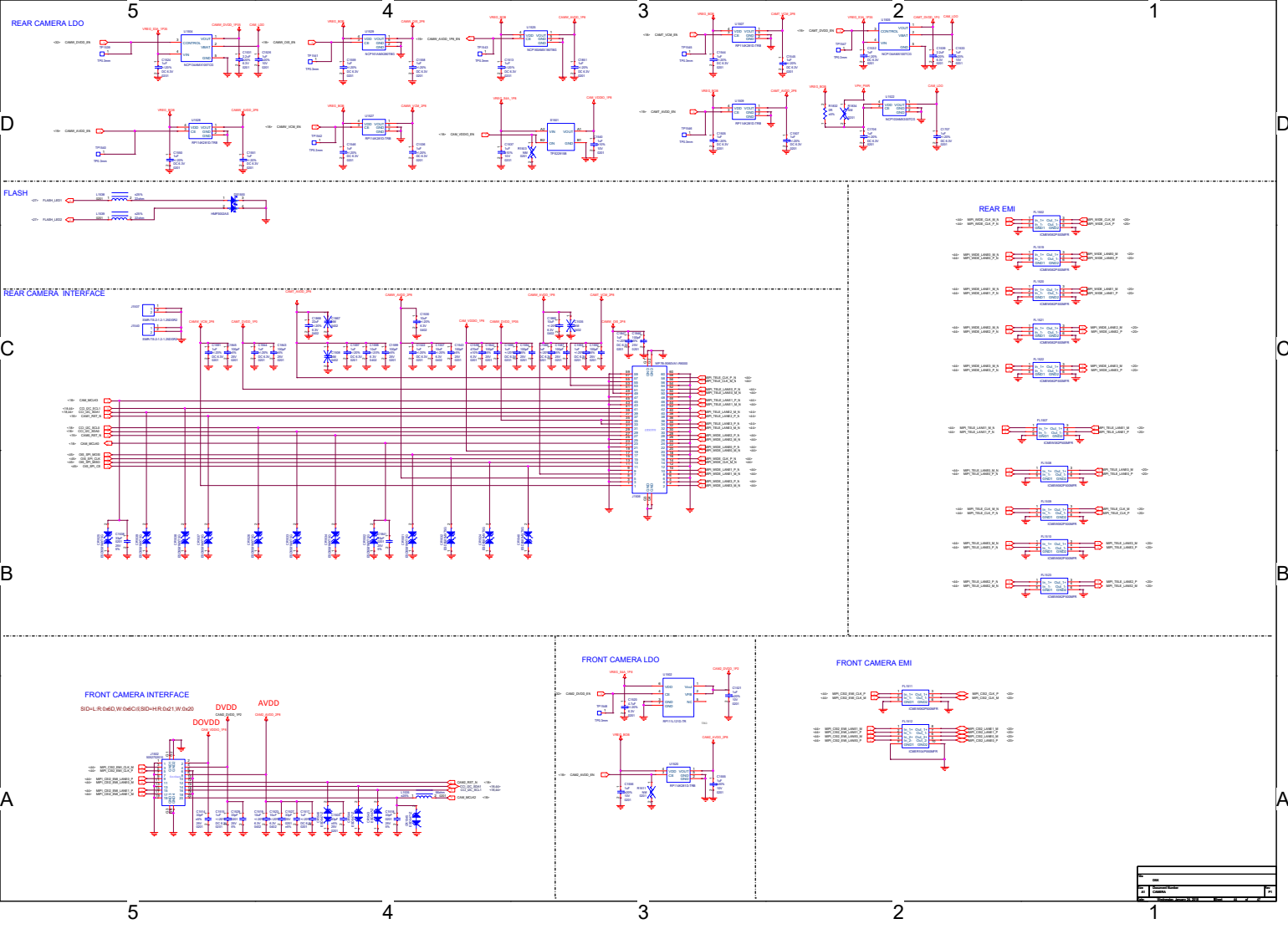


### ULTRASONIC



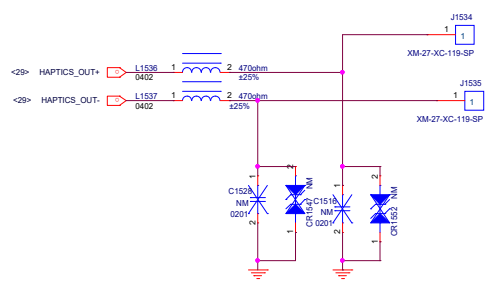
Rev	1
Date	2023-08-15
Author	John Doe
Checked	Jane Smith
Approved	Bob Johnson



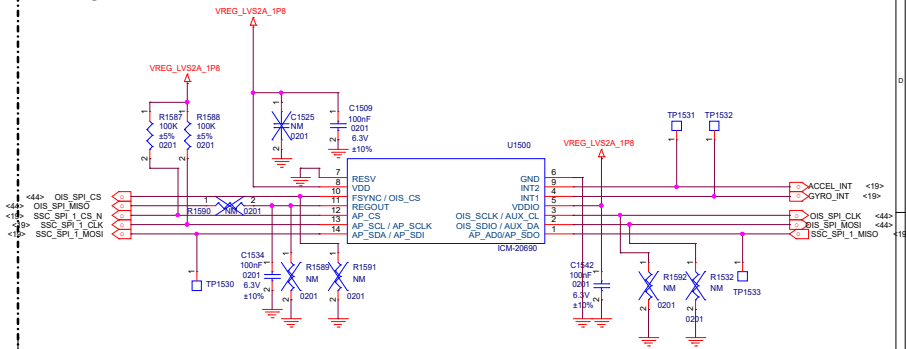


REV	1
DATE	
DESIGNER	
CHECKER	
APPROVER	

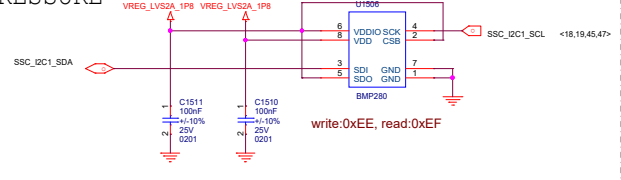
# HAPTICS



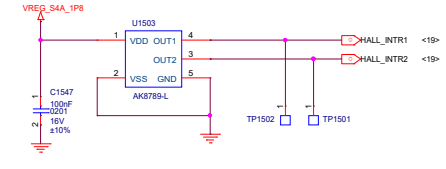
# A+G



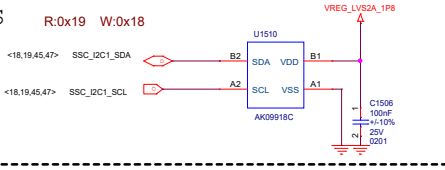
# PRESSURE



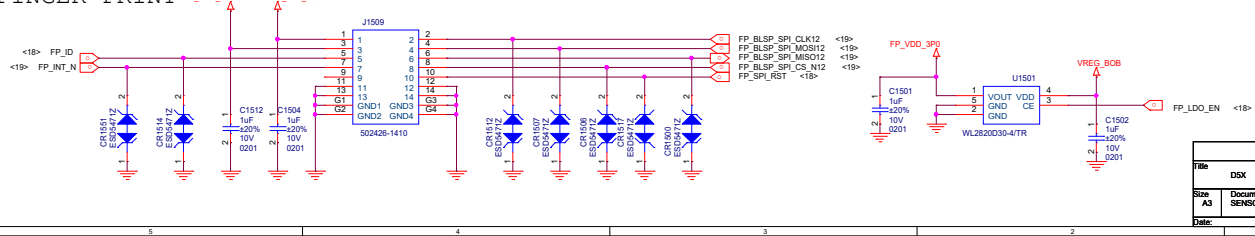
# HALL



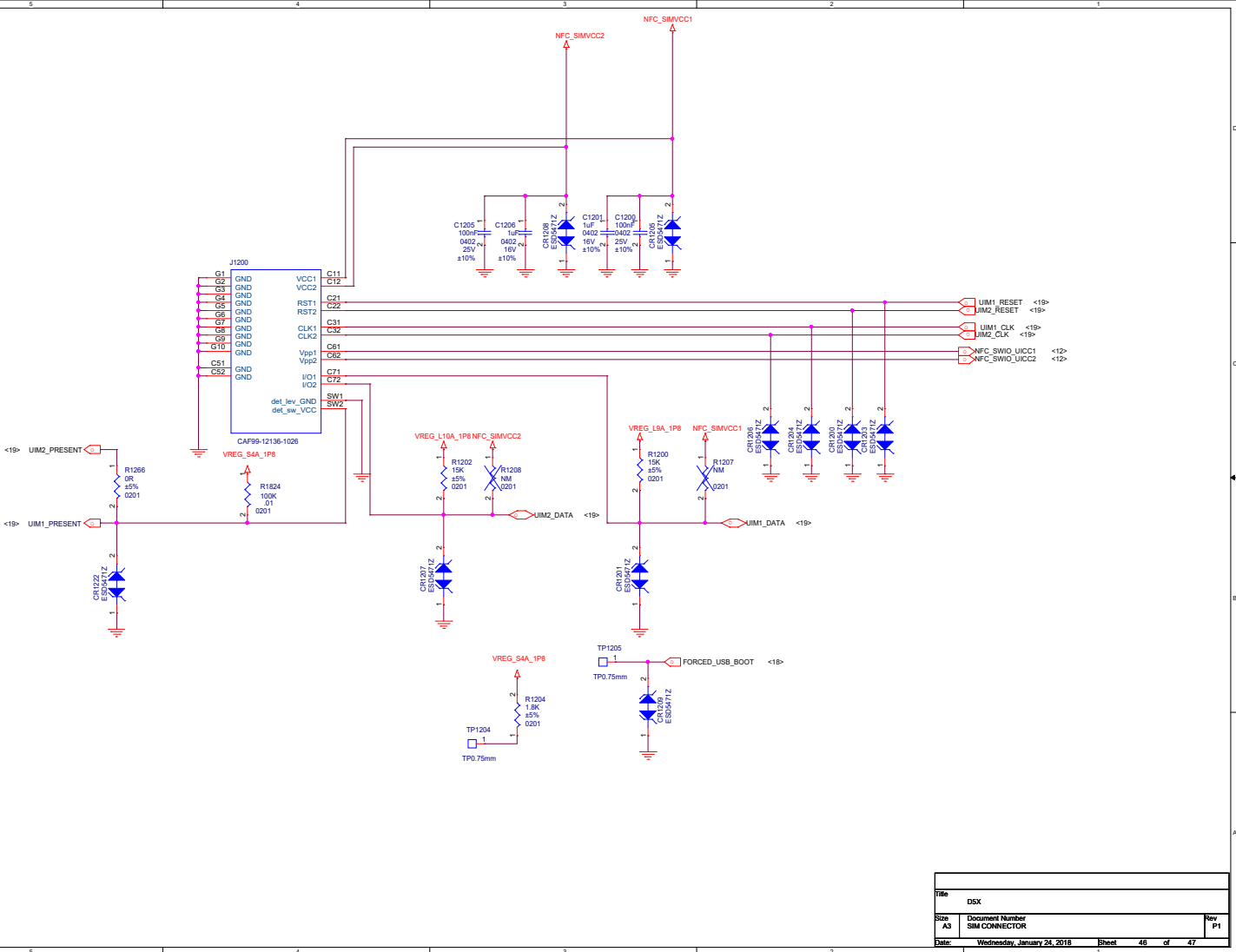
# COMPASS



# FINGER PRINT



File	DSX	
Size	Document Number	Rev
A3	SENSOR	P1
Date:	Sheet 45 of 47	



Title		DSX	
Size	A3	Document Number	SIM CONNECTOR
Date	Wednesday, January 24, 2018	Sheet	46 of 47
		Rev	P1

