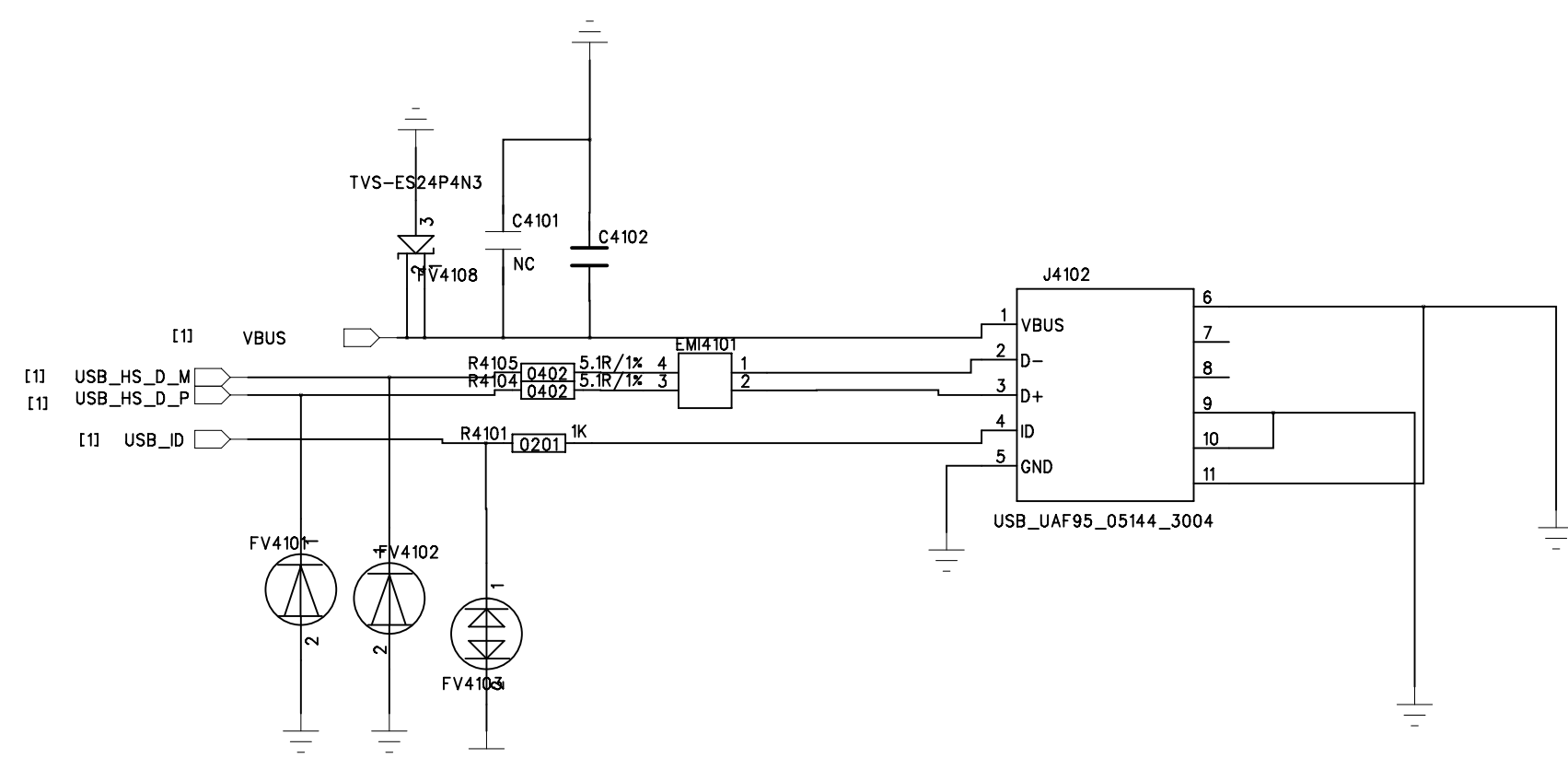
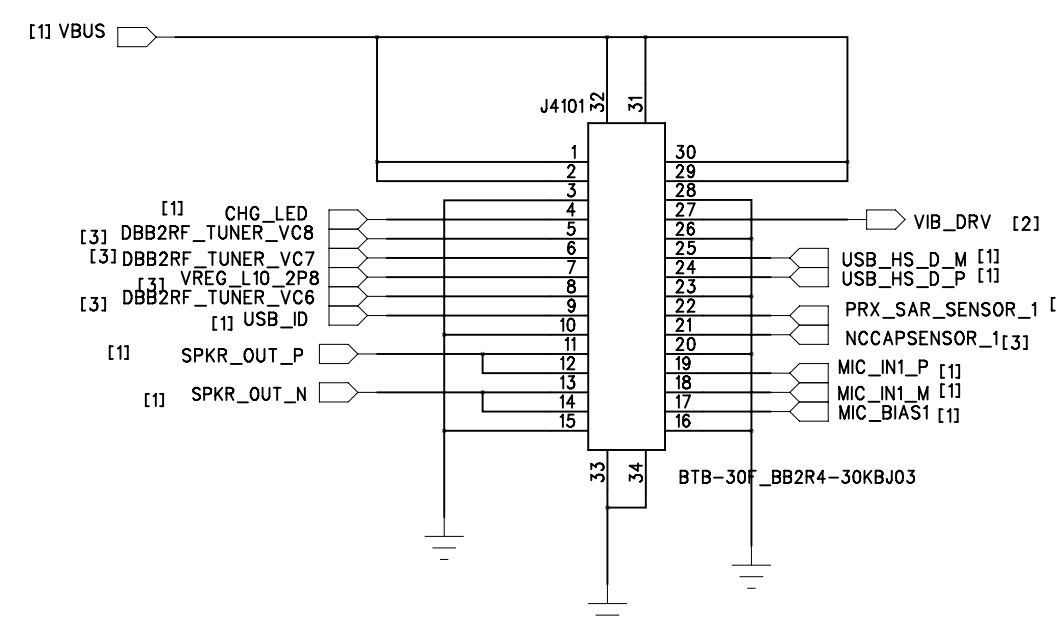


REVISION RECORD			
LTR	ECO NO:	APPROVED:	DATE:

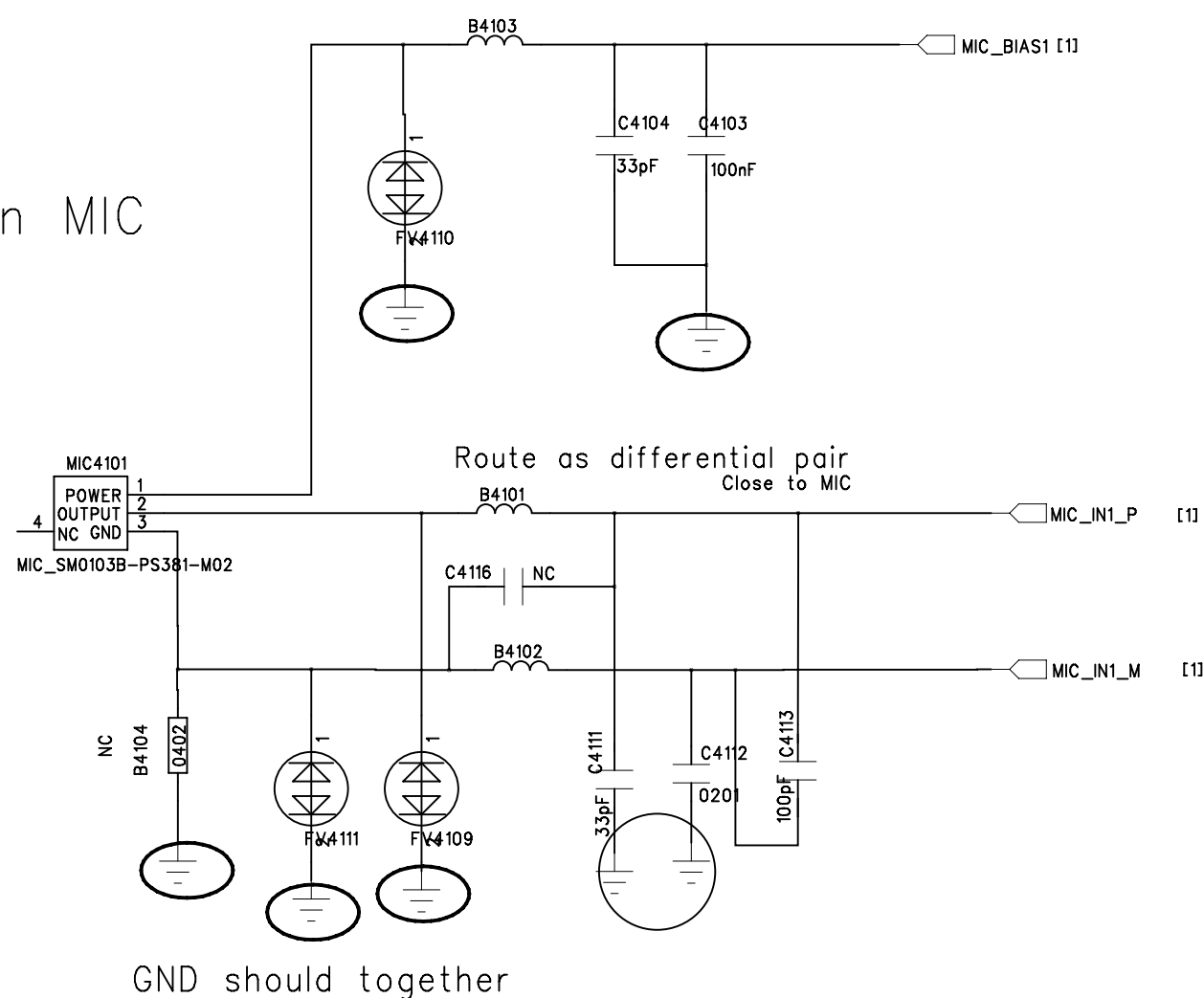
USB Connector



SUB connector

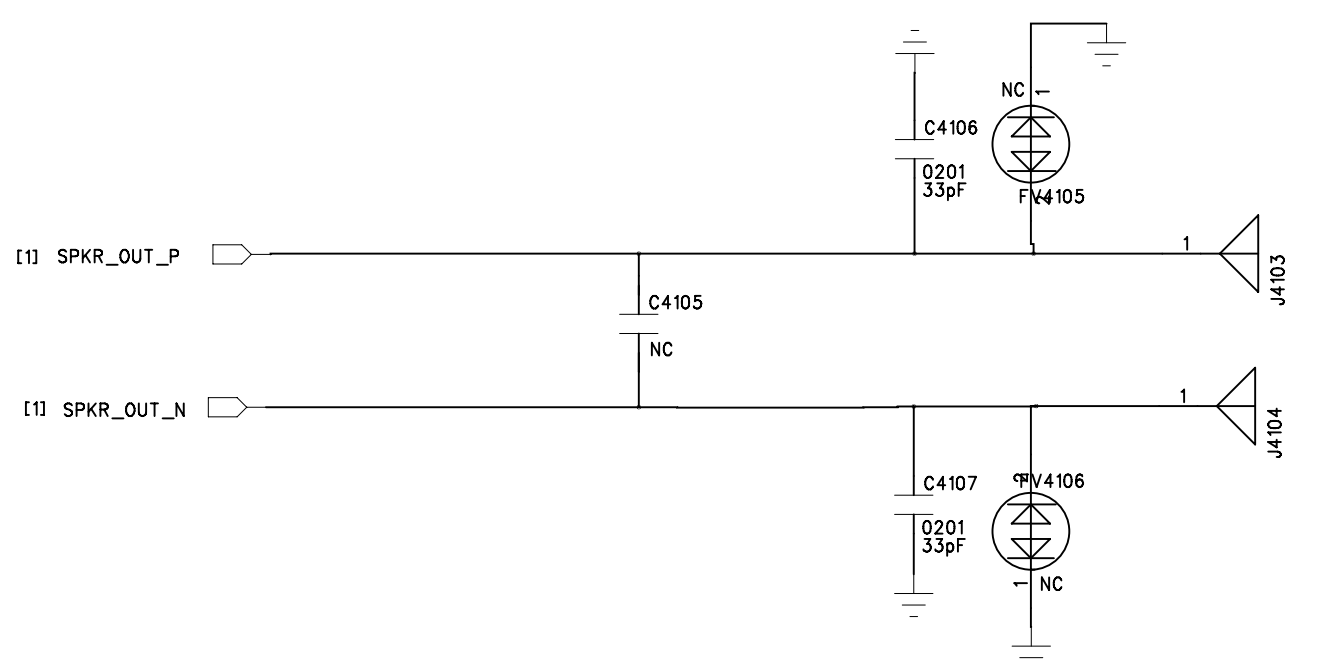


Main MIC

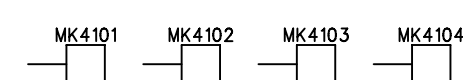
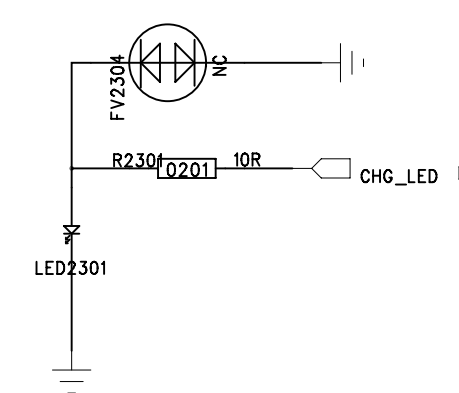


GND should together

SPK



Indicator LED

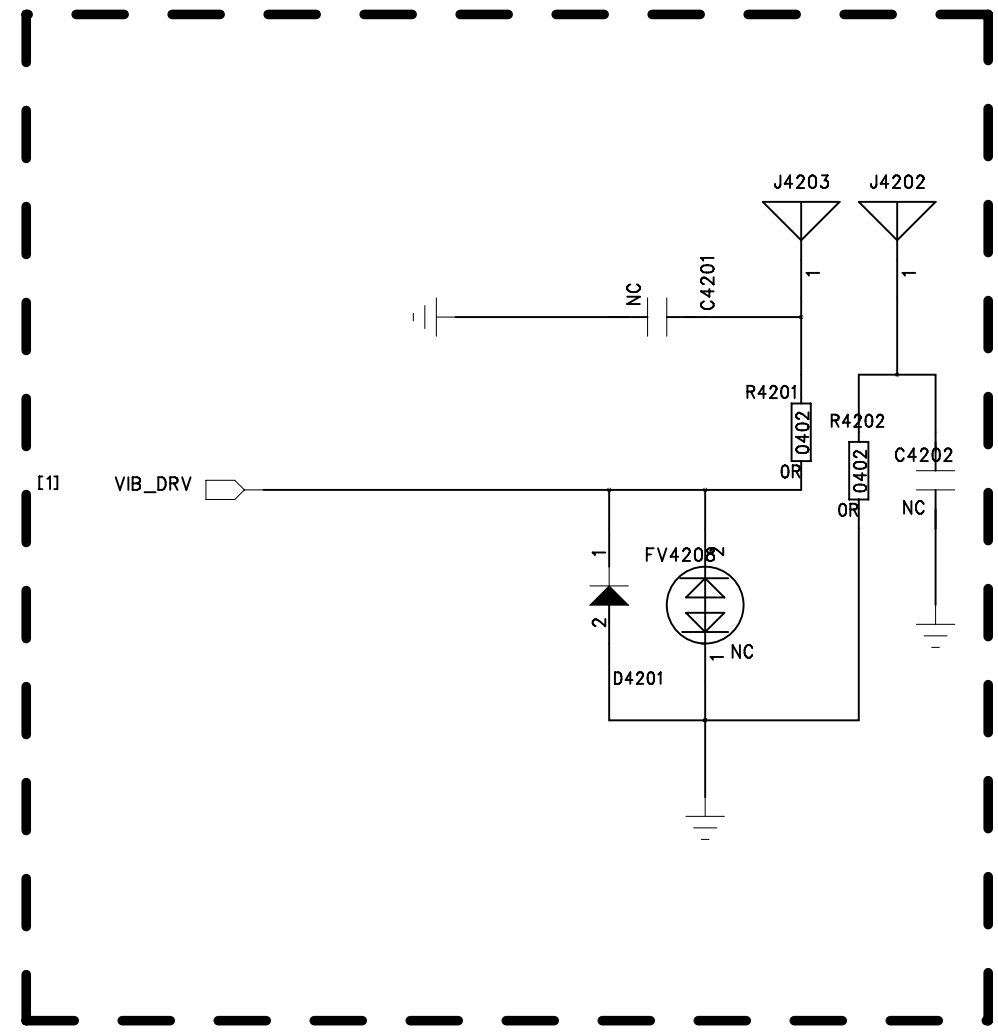


COMPANY: <Company Name>

TITLE: <Title>

DRAWN: <Drawn By>	DATED: <Drawn Date>	CODE:	SIZE:	DRAWING NO:	REV:
CHECKED: <Checked By>	DATED: <Checked Date>	QUALITY CONTROL: <QC By>	DATED: <QC Date>	A<Drawing Number>Revision>	
RELEASED: <Released By>	DATED: <Release Date>	SCALE: <Scale>	SHEET: 1 of 4		

REVISION RECORD			
LTR	ECO NO:	APPROVED:	DATE:



D

D

C

C

B

B

A

A

COMPANY: <Company Name>

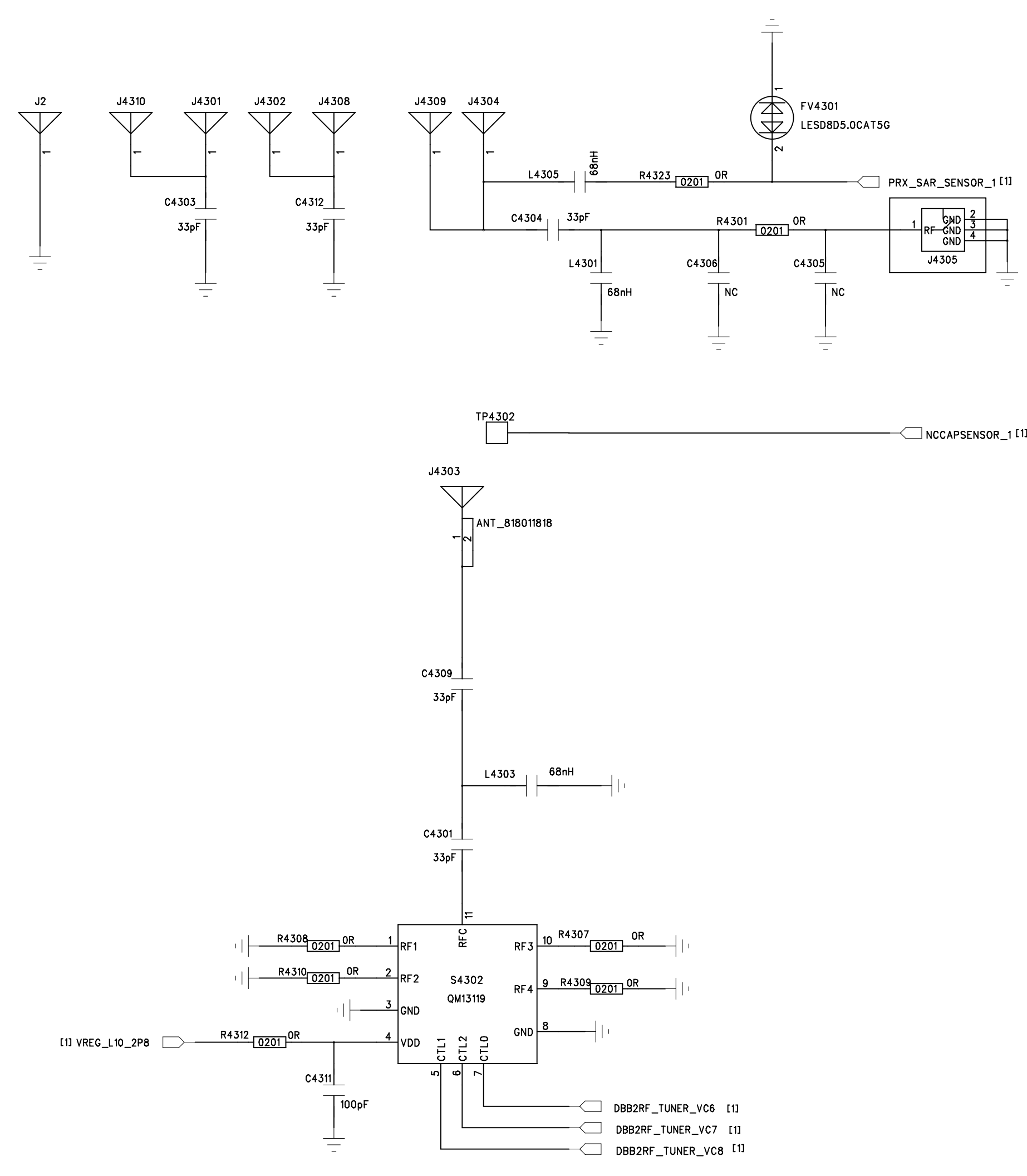
TITLE: <Title>

DRAWN: <Drawn By>	DATED: <Drawn Date>	CODE:	SIZE:	DRAWING NO:	REV:
CHECKED: <Checked By>	DATED: <Checked Date>				
QUALITY CONTROL: <QC By>	DATED: <QC Date>				
RELEASED: <Released By>	DATED: <Release Date>				

<Code> A <Drawing Number> <Revision>

SCALE: <Scale> SHEET: 2 OF 4

REVISION RECORD			
LTR	ECO NO:	APPROVED:	DATE:



COMPANY: <Company Name>			
TITLE: <Title>			
DRAWN: <Drawn By>	DATED: <Drawn Date>		
CHECKED: <Checked By>	DATED: <Checked Date>	CODE:	SIZE:
QUALITY CONTROL: <QC By>	DATED: <QC Date>	DRAWING NO: <Code> A <Drawing Number> <Revision>	
RELEASED: <Released By>	DATED: <Release Date>	SCALE: <Scale>	SHEET: 3 of 4