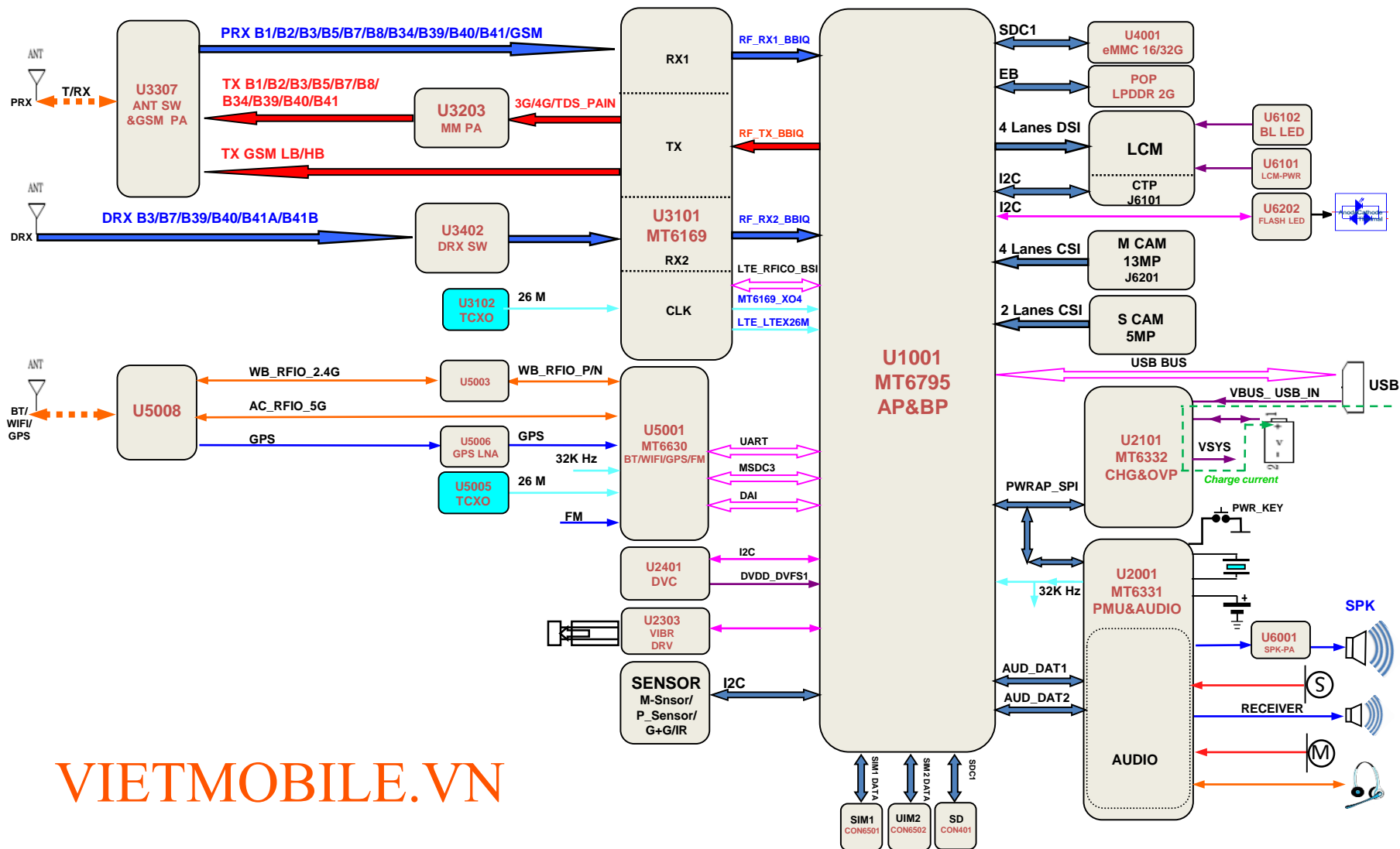


HM Note2逻辑框图&主板元件分布图

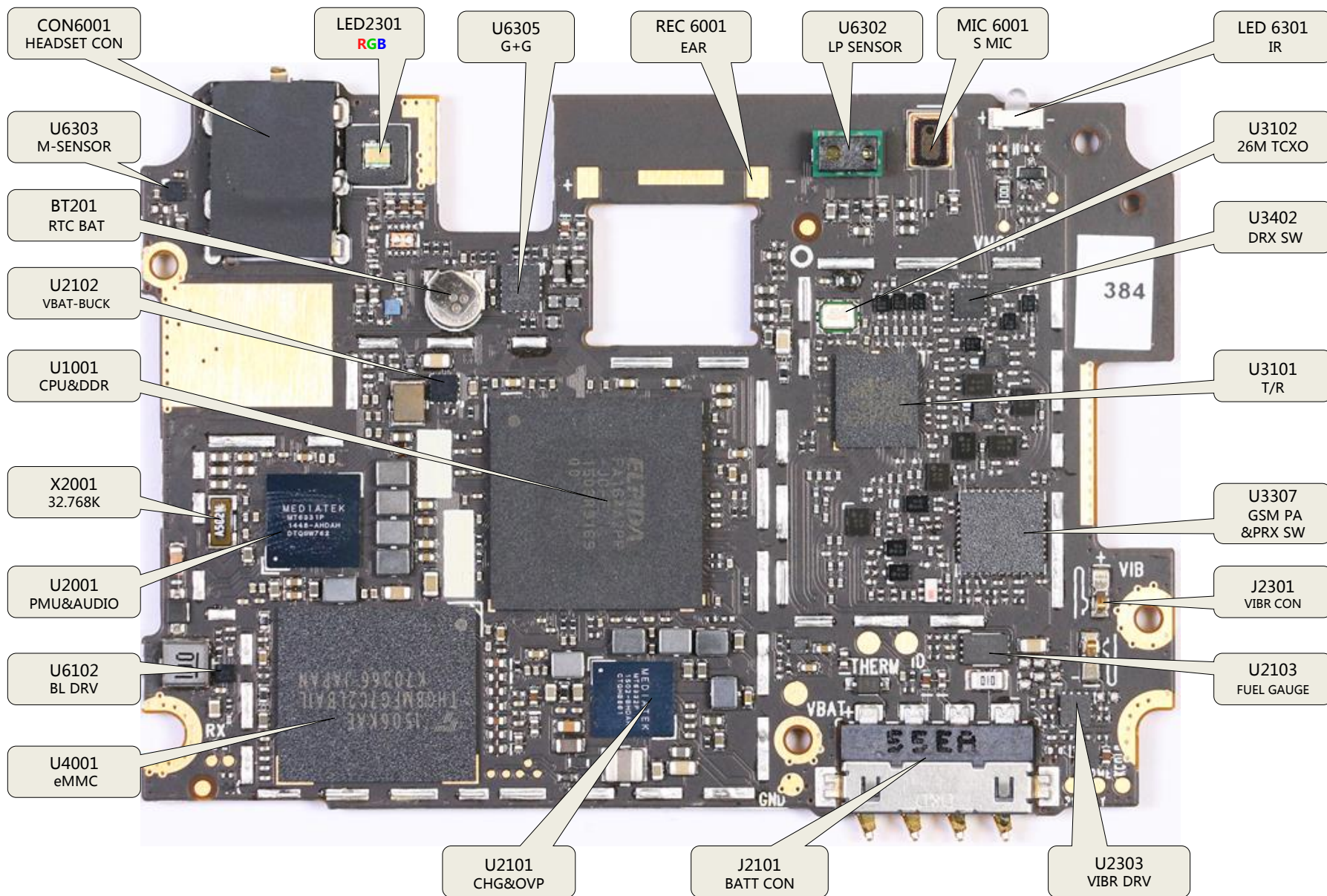
Block Diagram



VIETMOBILE.VN

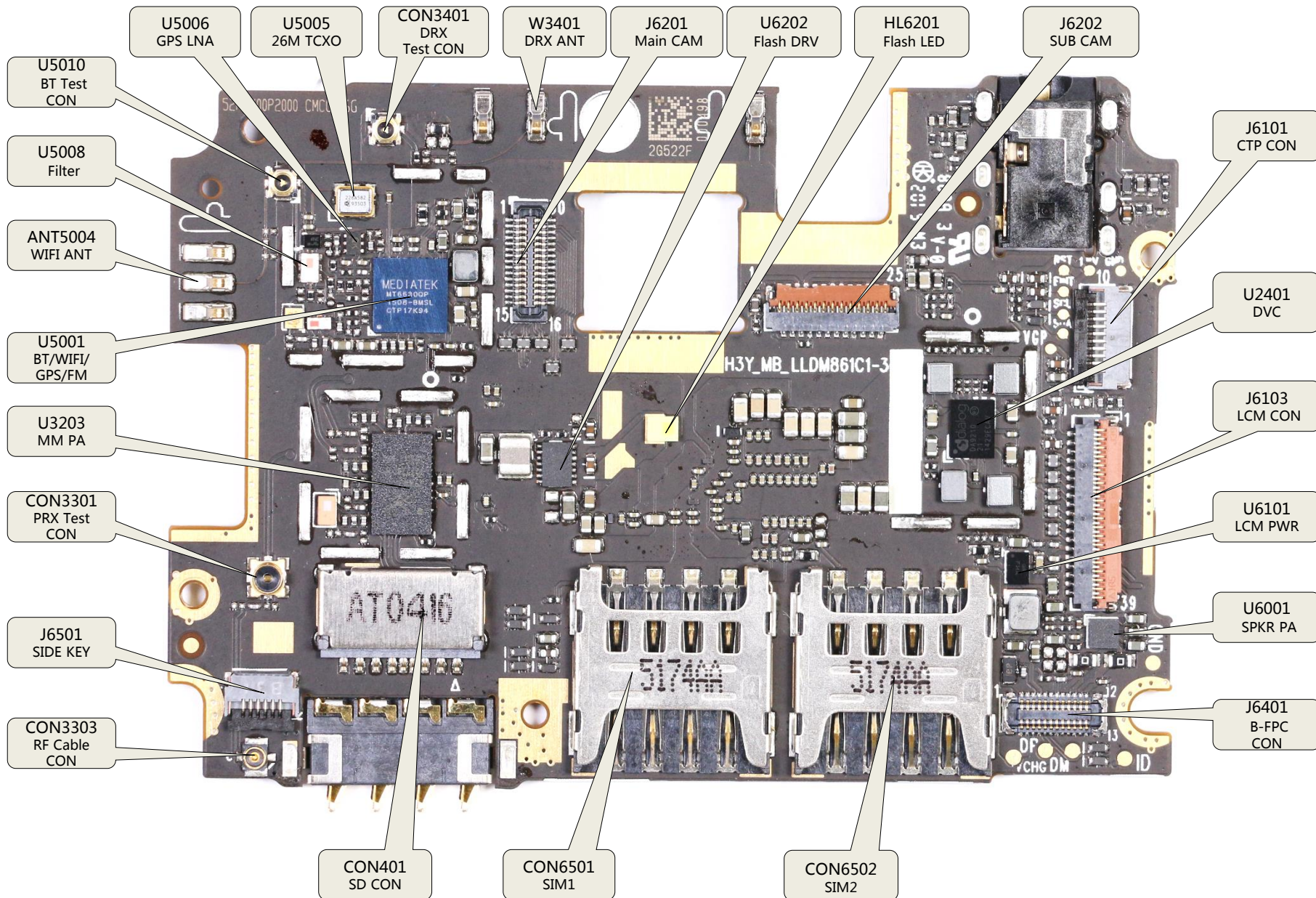
HM Note2逻辑框图&主板元件分布图

TOP



HM Note2逻辑框图&主板元件分布图

BOTT

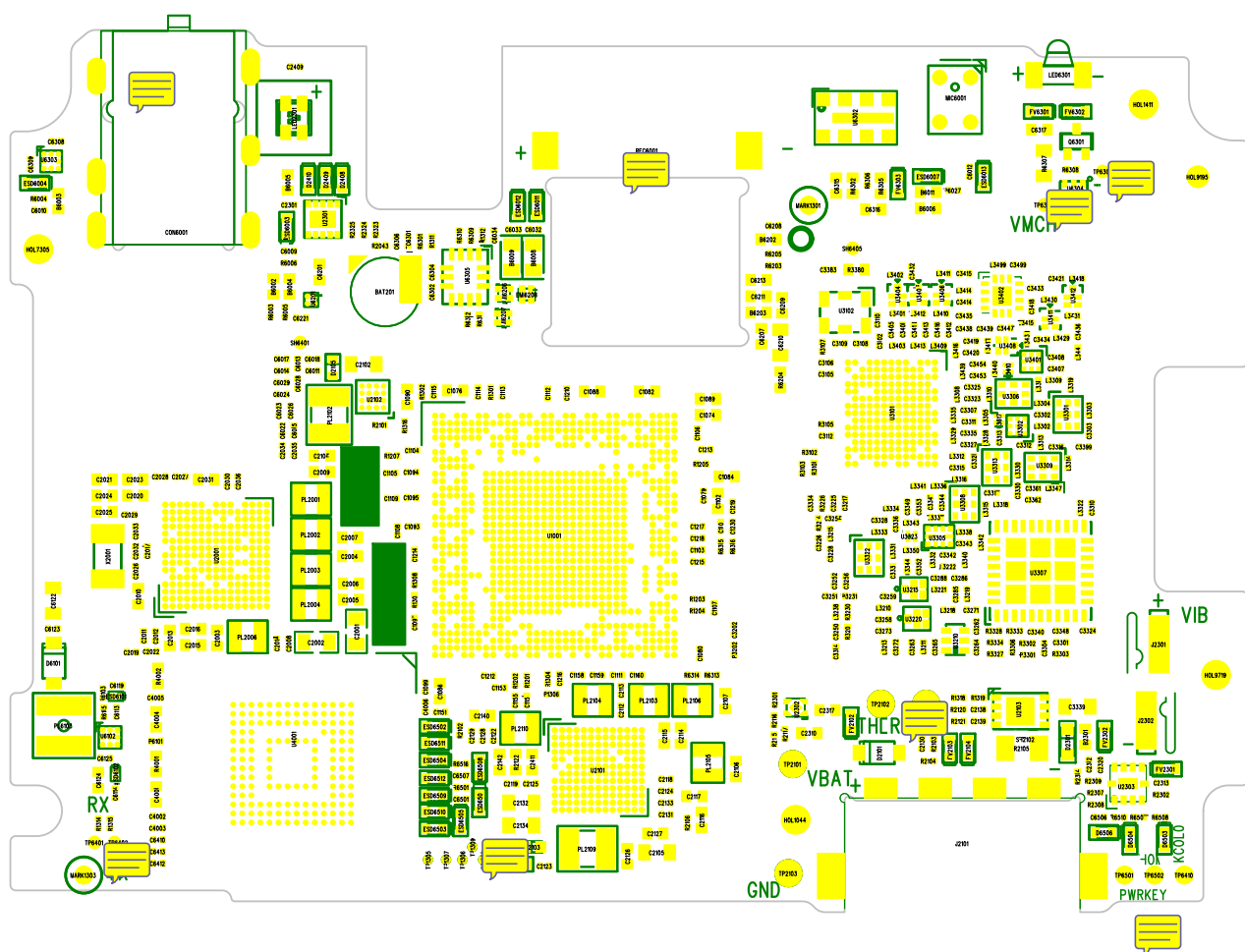


HM Note2逻辑框图&主板元件分布图

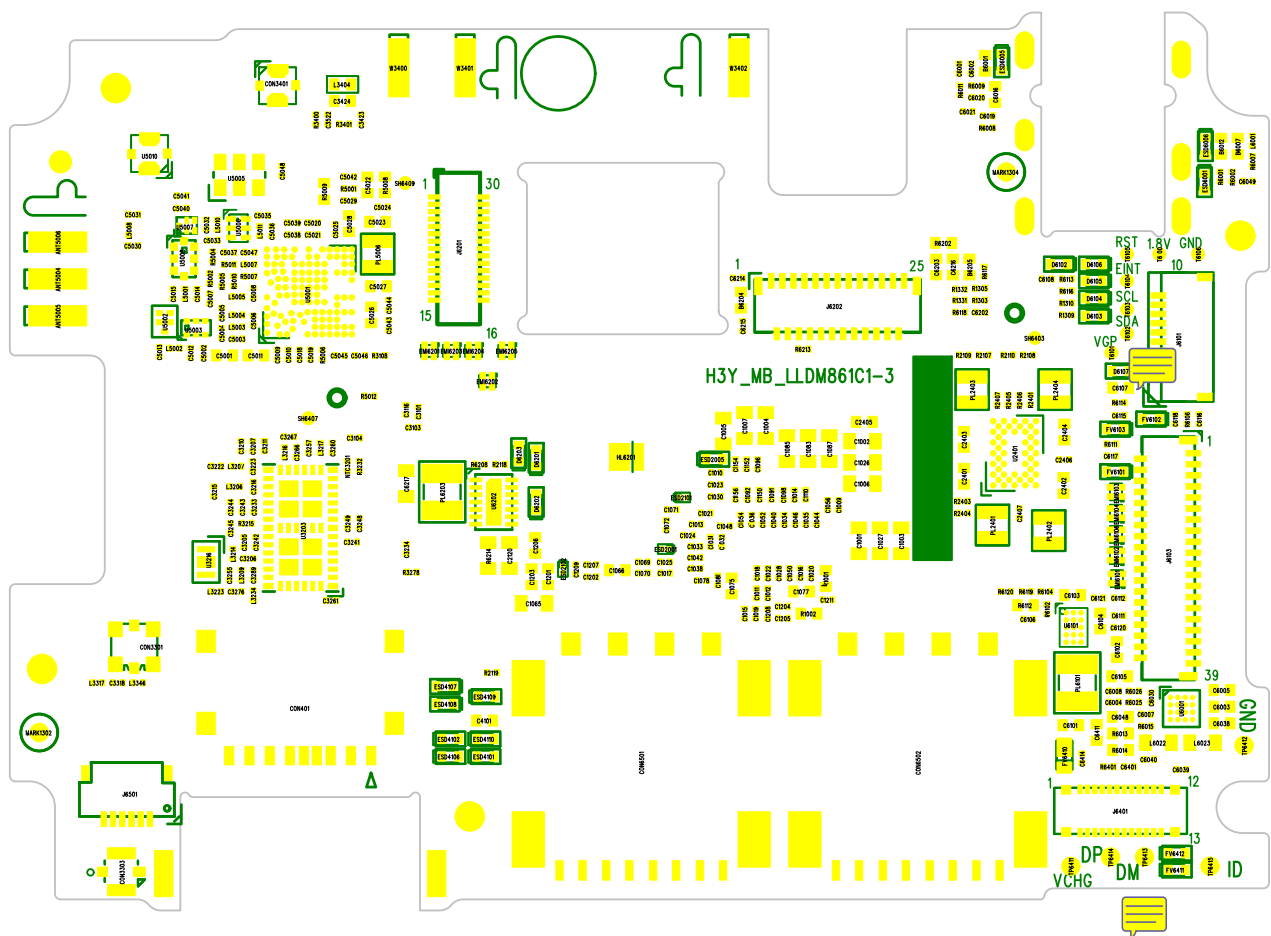
English & Chinese

索引	缩写	释义	索引	缩写	释义
A	ANT	天线	M	M_Sensor	电子罗盘
	AP	应用处理器		MIC	麦克风
	AUD	音频		MIPI	移动产业处理器接口联盟
	AUDIO	音频		MISO	主输入从输出
B	BAT	电池		MM PA	多模功率放大器
	BB	基带		MOSI	主输出从输入
	BL	背景灯	MOTOR	马达	
	BP	基带处理器	O	OCP	过流保护
	BSI	基带串行接口		OUTPUT	输出
	BT	蓝牙		OVP	过压保护
C	Charge current	充电电流	P	P/N	正/负
	CHG	充电器		P_Sensor	距离传感器
	CLK	时钟		PCM	脉冲编码调制
	CODEC	编解码器		PMU	电源管理单元
	COL	列		PRX	主路接收
	CON	连接器		PWM	脉冲宽度调制
	CORE	核心	PWR	电源管理单元	
	CS_P	电流检测正极	PWRKEY	电源键	
	CS_N	电流检测负极	R	REF	参考
	CSI	照相串行接口		RFIO	射频输入输出
	CTP	触屏控制		ROW	行
	DAI	数字音频接口		RST	复位
	DAT	数据		RTC	实时时钟
	DRV	驱动		RX	接收
D	DRX	分集接收	S	SDC	记忆卡
	DSI	显示串行接口		SENSOR	传感器
	DVC	动态电压控制		SIDE KEY	侧键
E	EAR	听筒		SIM	用户身份识别卡
	EMI	电磁干扰		SPI	通用串行总线
	EMMC	嵌入式多媒体存储卡		SPKR	扬声器
F	EN	使能	SW	开关	
	EXT	外部的、扩展	SW CHG	开关充电器	
	FLASH	闪存、闪光灯	SYNC	同步	
G	FM	调频	SYS	系统	
	FUEL	流量计	T	TCXO	有温度补偿的晶体振荡器
	G+G	磁力计+陀螺仪		TDS	时分同步的码分多址
GPIO	通用输入输出接口	TORCH		手电筒	
GPS	全球卫星定位系统	TP		触摸板	
GPU	图形处理单元	TX		发射	
H	HAPTIC	触感		TXDET	发射检测
	HS	耳机	U	UIM	全球用户身份识别卡
I	ID	身份识别		USB	通用串行总线
	INPUT	输入	V	VBOOST	升压供电
	INT	中断		VBUCK	降压供电
IR	红外辐射	VIBR		振动器	
K	Kelvin connection	开尔文连接	W	WATCHDOG	看门狗
	LCD	液晶显示屏		WIFI	无线保真技术
L	LCM	液晶显示模块			
	LDO	低压差输出			
	LED	电可发光二极管			
	LNA	低噪声放大器			
	LPDDR	低功耗双速率动态随机存储器			
	LTE	长期演进计划			

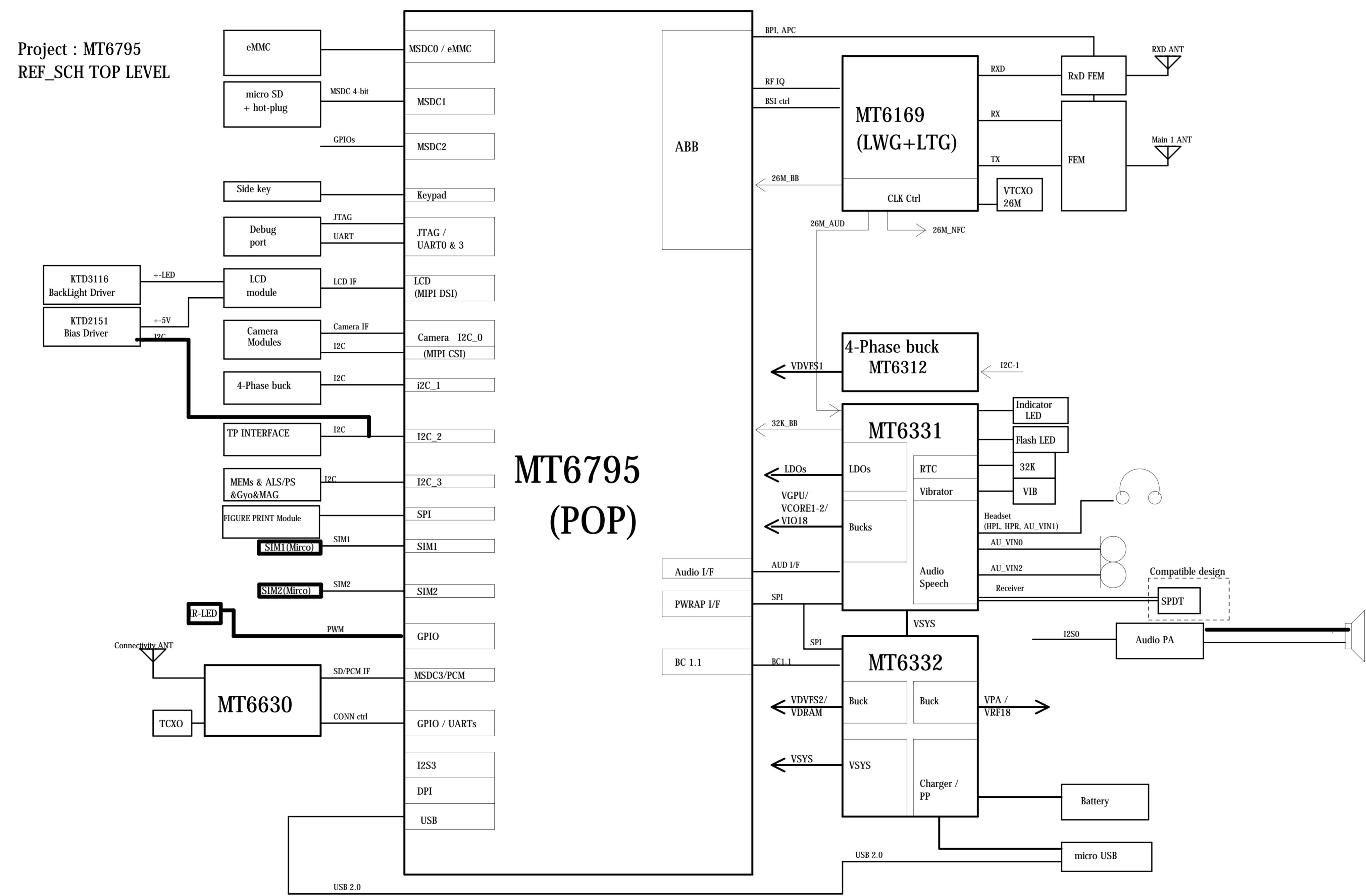
VIETMOBILE.VN



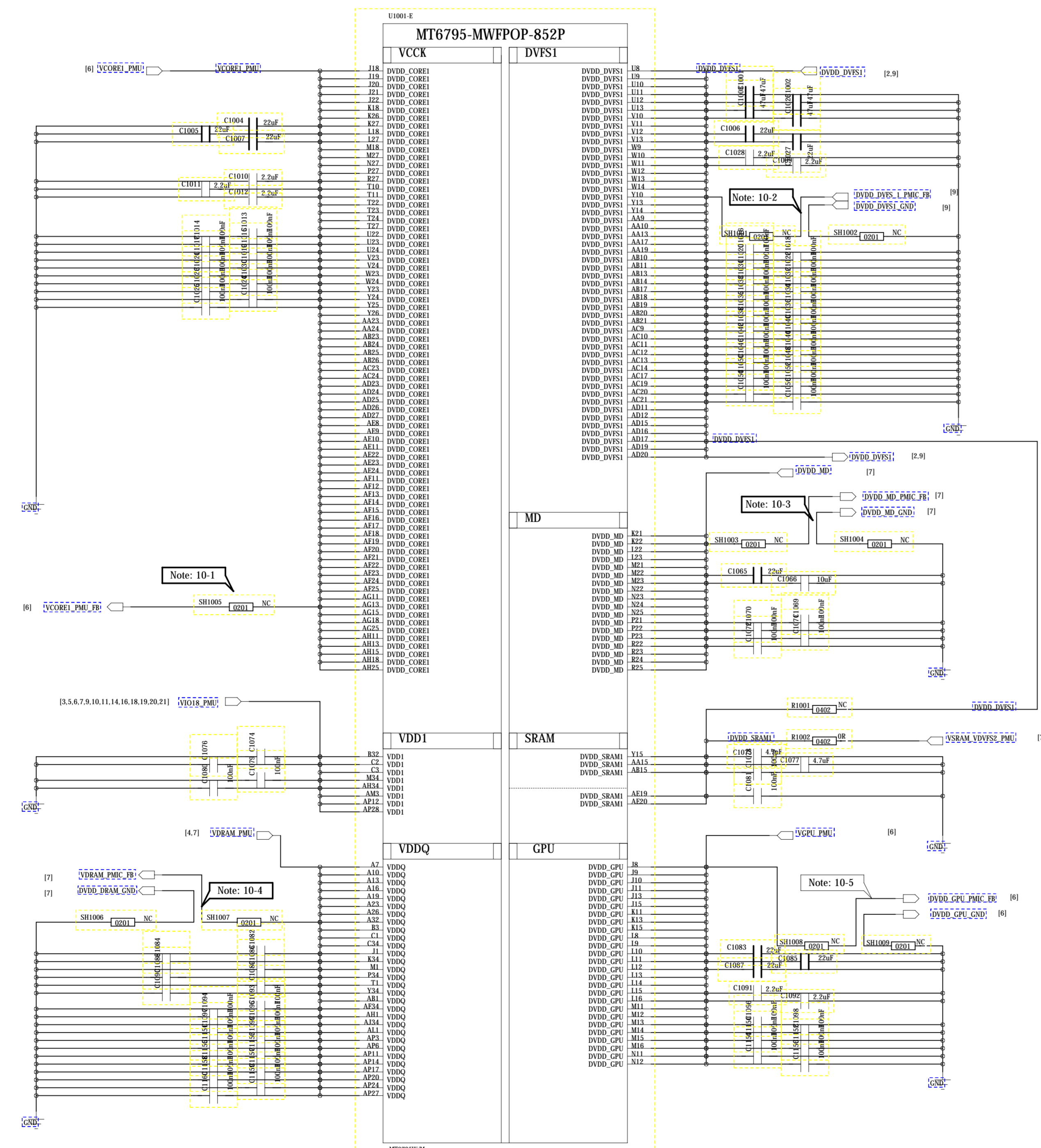
VIETMOBILE.VN



VIETMOBILE.VN



REVISION RECORD			
REV	ECO NO.	APPROVED	DATE



Schematic design notice of "10_BB_POWER_1" page.

Note 10-1: VCCORE_1 remote sense must be close to MT6795₁'s AG13 ball. Remote sense trace with GNDshielding to PMIC (Differential)

Note 10-2: Differential pair of DVFS1 remote sense must be close to MT6795₁'s Y10 ball.

Note 10-3: Differential pair of DVDD_MD remote sense must be close to MT6795₁'s K22 ball.

Note 10-4: VDRAM remote sense must be close to MT6795₁'s A32 ball.

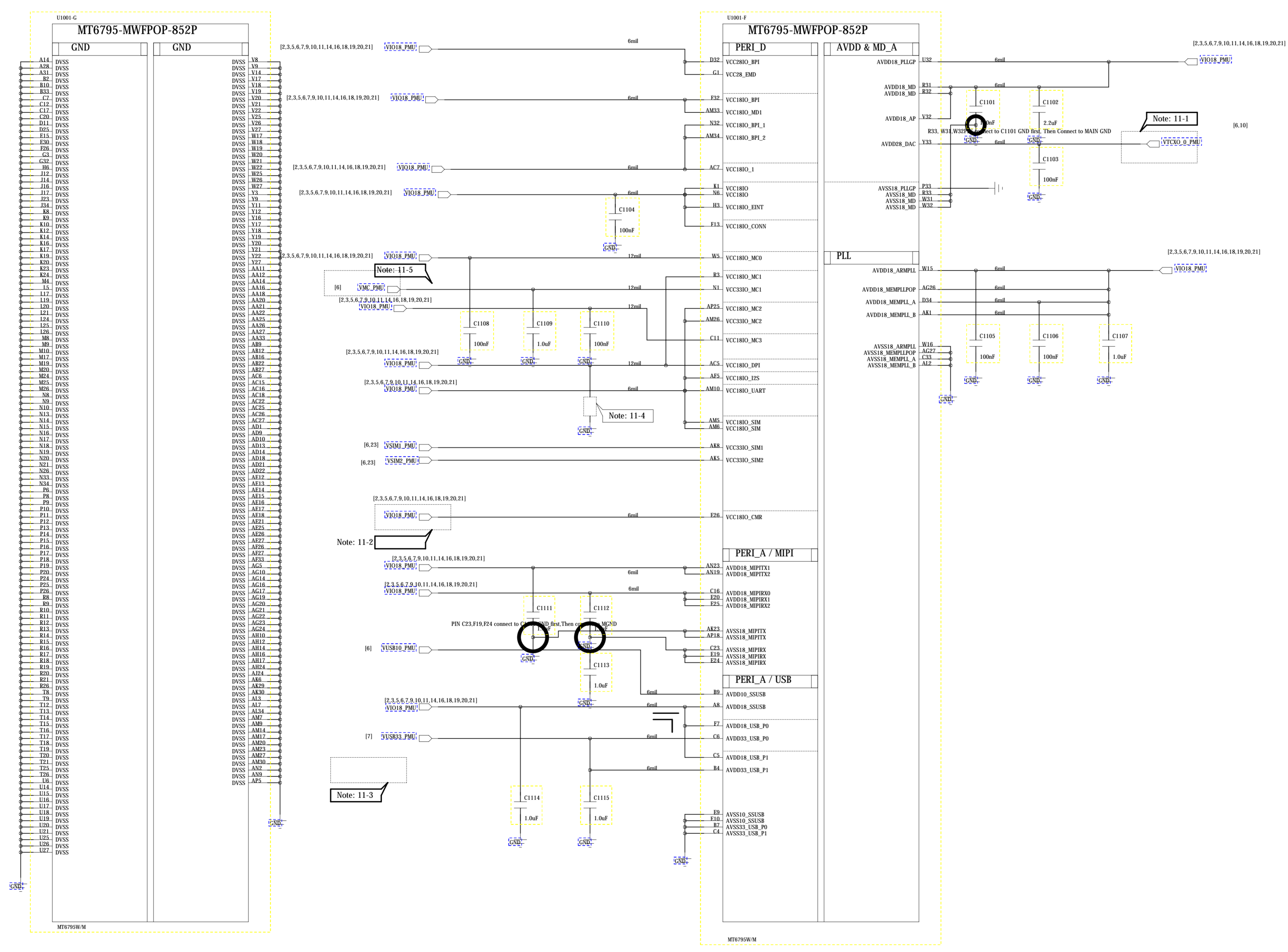
Note 10-5: Differential pair of GPU remote sense must be close to MT6795₁'s J8 ball.

COMPANY: <Company Name>

TITLE: <Title>

DRWNS	DATE	DRWNS	DATE	DRWNS	DATE	DRWNS	DATE	DRWNS	DATE
<Drawn By>	<Drawn Date>	<Checked By>	<Checked Date>	<QC By>	<QC Date>	<Released By>	<Released Date>	CODE	SIZE
								<Code>	A0 <Drawing Number> <Revision>
								SCALE: <Scale>	SHEET: B 23

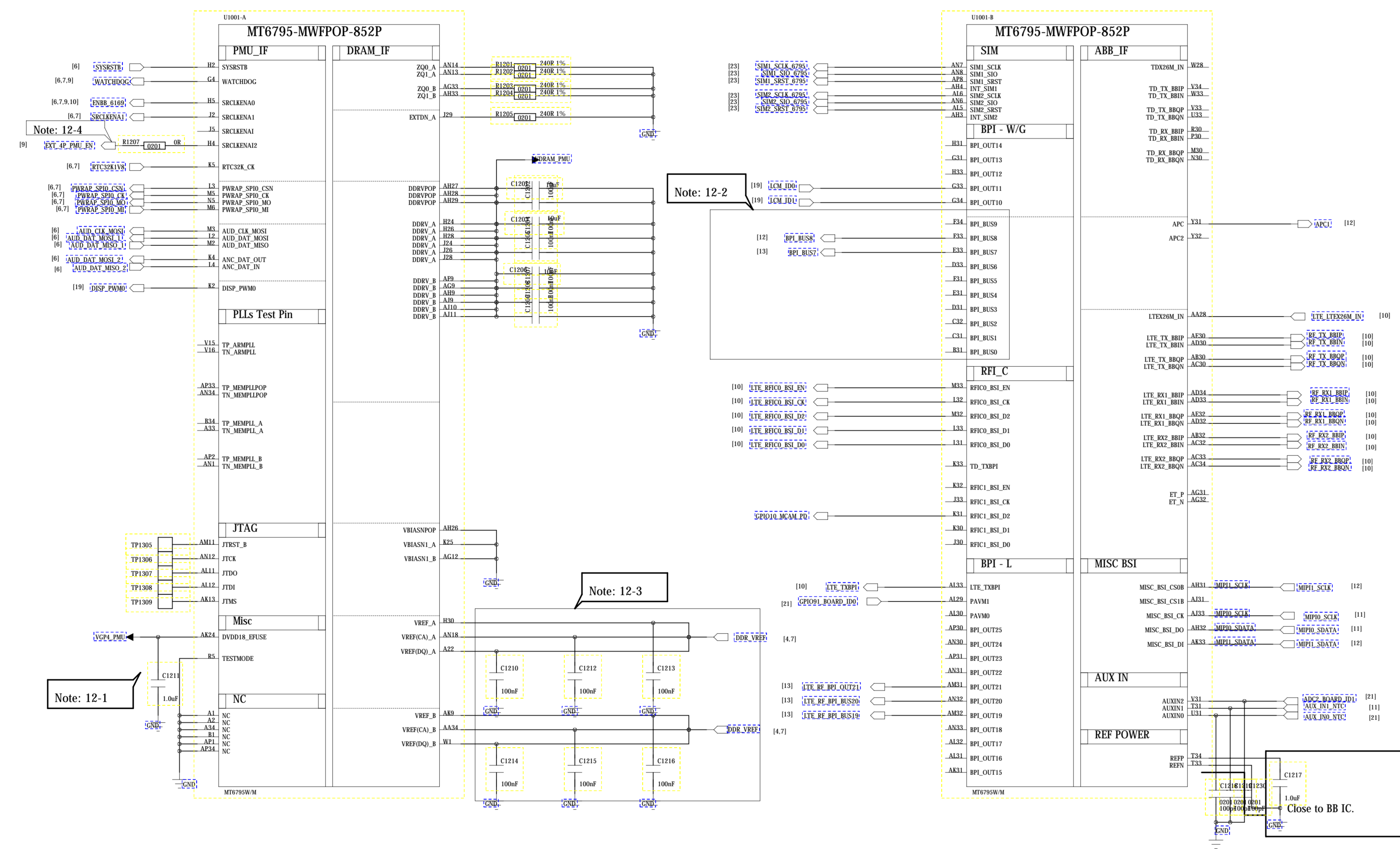
REVISION RECORD			
TR	REV NO	APPROVED	DATE



- Schematic design notice of "11_BB_POWER" page.
- Note 11-1: AVDD28_DAC (Y33 ball) must be powered by "VTCXO_1_PMU".
- Note 11-2: Connect VCC180_CMR (E26 ball) to "VIO18_PMU" since I2C 2 I/O power is powered by VCC180_CMR.
- Note 11-3: Connect AVDD33_USB_P1 (B4 ball) to "VSIM1_PMU" for IC-USB / Samrt card application.
Connect AVDD33_USB_P1 (B4 ball) to "VUSB33_PMU" for USB application.
- Note 11-4: Reserve 0.1uF decoupling cap in VCC180_DPI for MHL.

COMPANY:		<Company Name>	
TITLE:		<Title>	
DESIGN:	<Drawn By>	DATE:	<Drawn Date>
CHECKED:	<Checked By>	DATE:	<Checked Date>
QUALITY CONTROL:	<QC By>	DATE:	<QC Date>
RELEASED:	<Released By>	DATE:	<Release Date>
CODE:	<Code>	SIZE:	A0
DRAWING NO:	<Drawing Number>	REV:	<Revision>
SCALE:	<Scale>	SHEET:	23

REVISION RECORD			
ITR	ECO NO	APPROVED	DATE



Schematic design notice of "11_BB_11" page.

Note 12-1: Apply 1.8V to DVDD18_EFUSE (AK24) for eFUSE programming.

Note 12-2: The BPI_BUS0-BPI_BUS9 are capable of 2.8V I/O operation.

Note 12-3: The de-coupling cap. of DRAM VREF have to be placed as close to BB as possible.

Note 12-4: SRCLKEN12 features watch dog reset output to reset 4-phase buck.
 R1207 = 0R when BOM option of U2401 is DA9210.
 R1207 = NC when BOM option of U2401 is 2nd source.

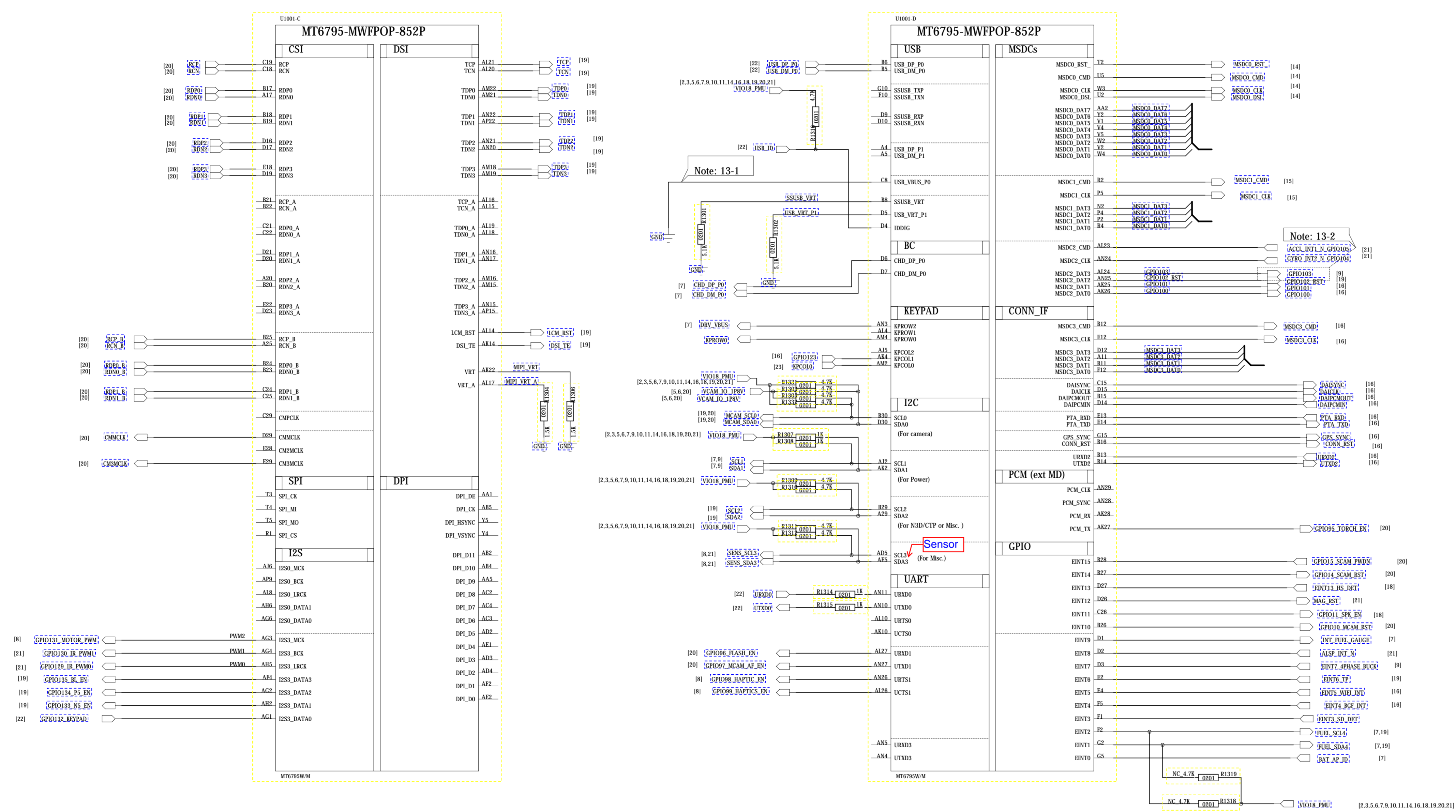
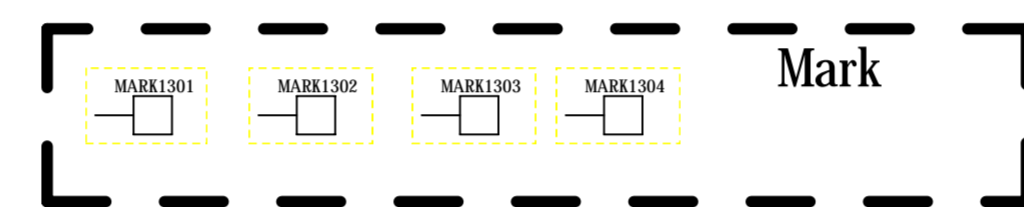
COMPANY: <Company Name>

TITLE: <Title>

DESIGN	DATE	CODE	SIZE	DRAWING NO.	REV.
<Drawn By>	<Drawn Date>				
<Checked By>	<Checked Date>				
<QC By>	<QC Date>				
<Released By>	<Release Date>				

SCALE: <Scale> SHEET: 4/ 23

REVISION RECORD			
REV	REV NO.	APPROVED	DATE



Schematic design notice of "12_BB_2" page.

Note 13-1: Connect USB_VBUS_P0 (C8 ball) pin to GND since USB OTG "B-Valid" detection has implemented by MT6332's ADC.

Note 13-2: GPIO103 is dedicated for DA9210 4-phase buck control.

DRAWN: <Drawn By>		DATE: <Drawn Date>		CHECKED: <Checked By>		DATE: <Checked Date>		QUALITY CONTROL: <QC By>		DATE: <QC Date>		RELEASED: <Released By>		DATE: <Release Date>	
CODE: <Code>		SIZE: A0		DRAWING NO: <Drawing Number>		REV: <Revision>		SCALE: <Scale>		SHEET: 50		23		COMPANY: <Company Name>	
TITLE: <Title>															

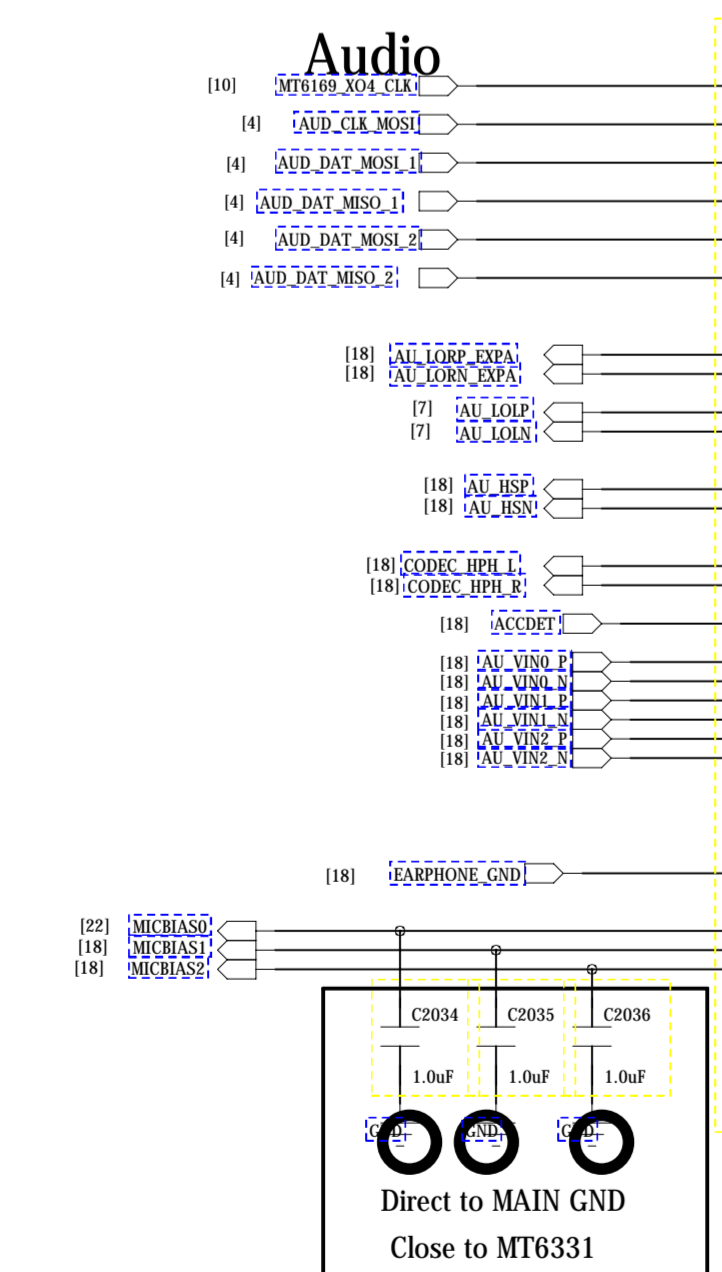
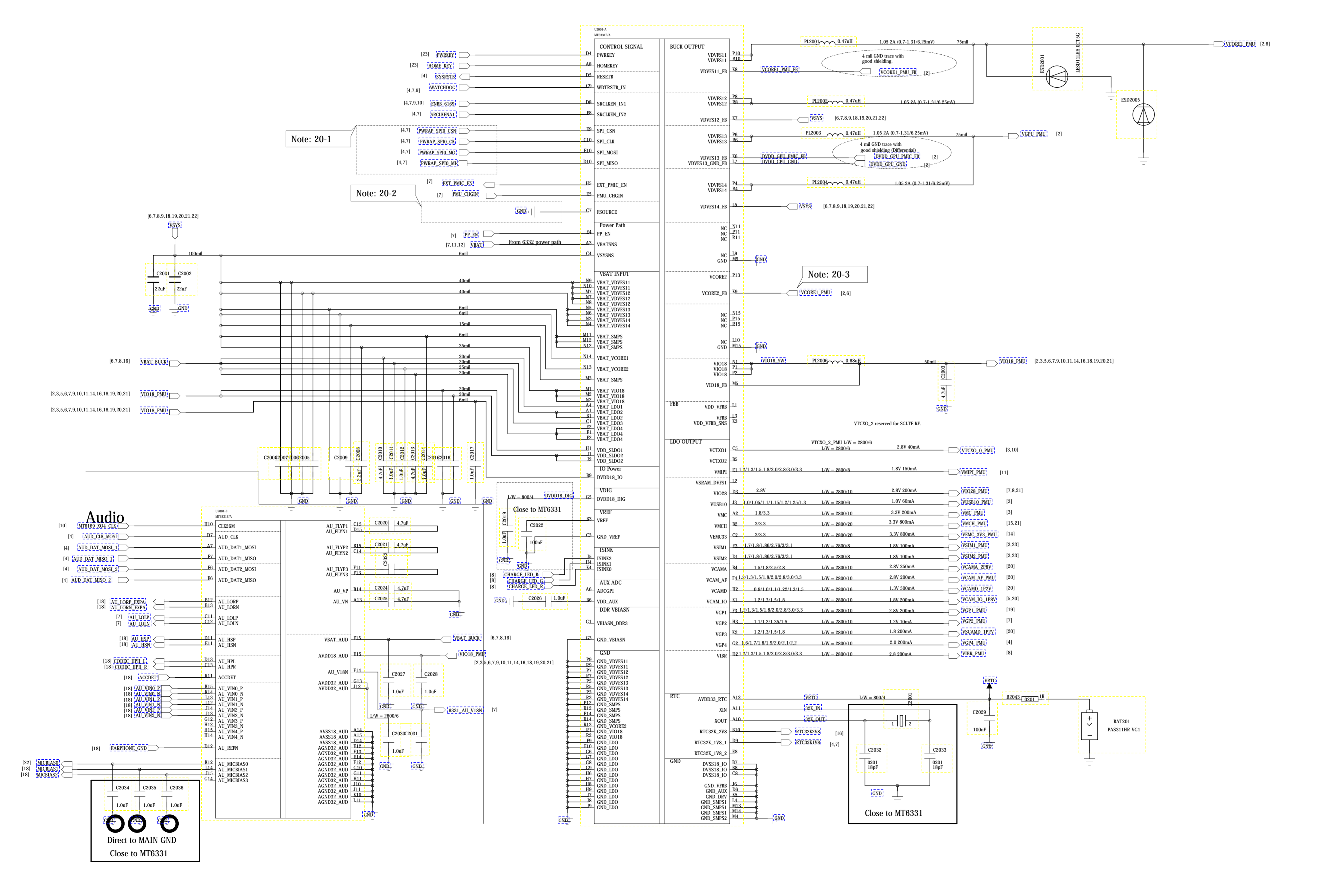
REVISION RECORD			
ITR	REV. NO.	APPROVED	DATE

Schematic design notice of "20_POWER_MT6331" page.

Note 20-1: External pull resistor in PMU SPI interface is not allowed.

Note 20-2: PMU_FSOURCE high(DVDD18_DIG)-> EPFUSE program.

Note 20-3: Connect MT6331's K9 pin to "VCORE1_PMU" when VCORE2 is not used.

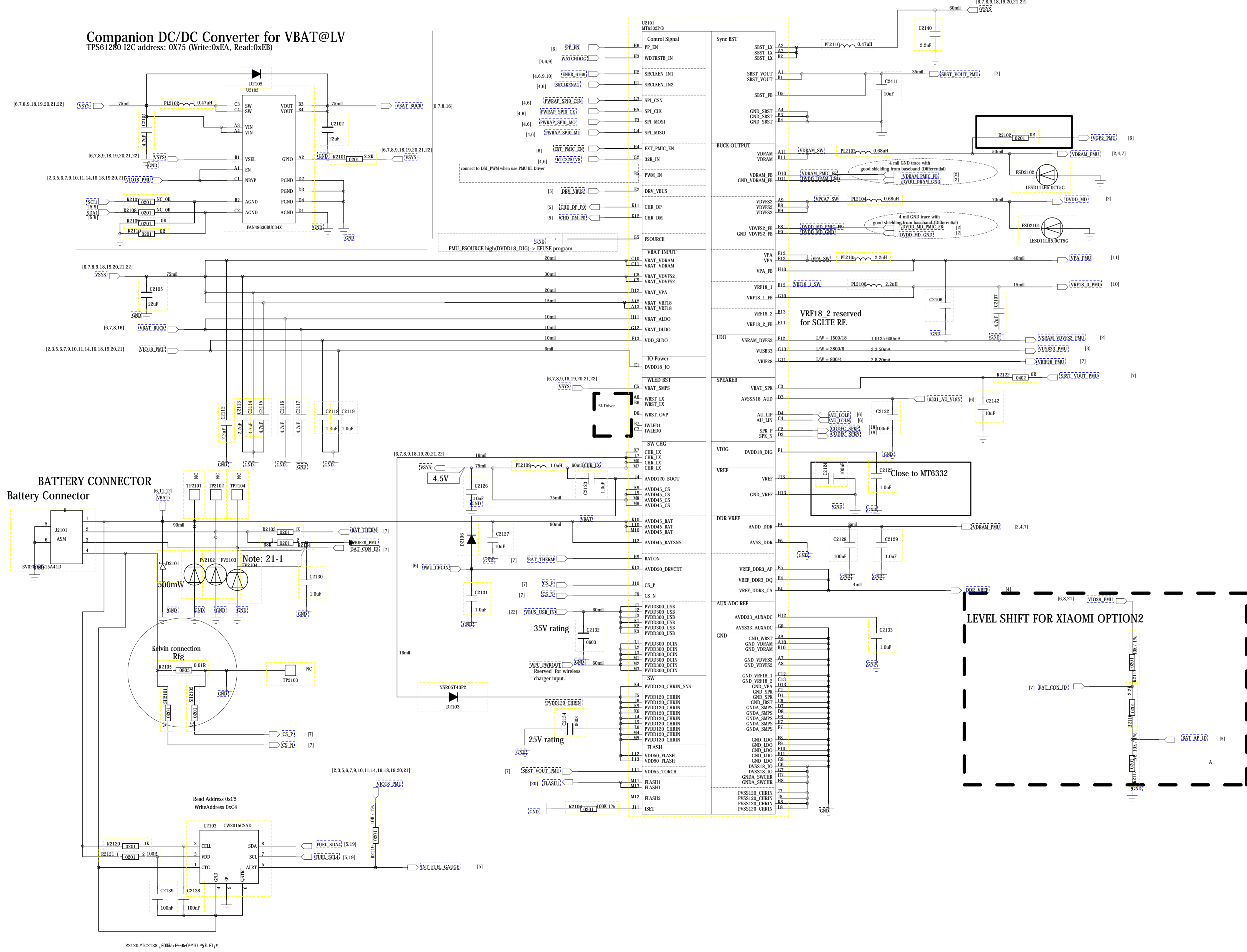


DRAWN: <Drawn By>		DATE: <Drawn Date>		COMPANY: <Company Name>			
CHECKED: <Checked By>		DATE: <Checked Date>		TITLE: <Title>			
QUALITY CONTROL: <QC By>		DATE: <QC Date>		CODE: <Code>	SIZE: A0	DRAWING NO. <Drawing Number>	REV: <Revision>
RELEASED: <Released By>		DATE: <Release Date>		SCALE: <Scale>		SHEET: 60 / 23	

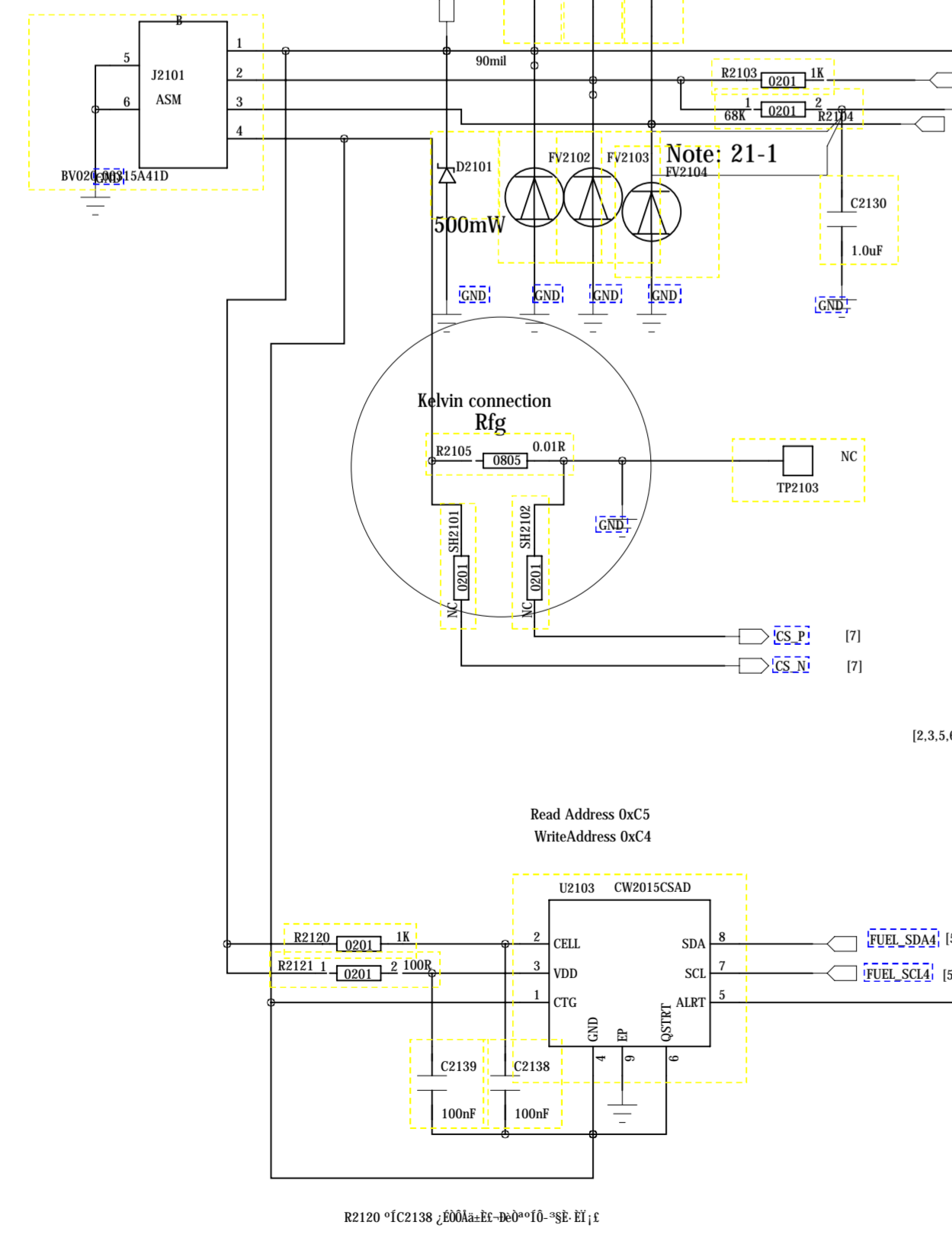
REVISION RECORD			
REV	ECO NO.	APPROVED	DATE

	R2107	R2108	R2109	R2110
TPS61280A	OR	OR	NC	NC
FAN48630	NC	NC	OR	OR

Companion DC/DC Converter for VBAT@LV
TPS61280 I2C address: 0x75 (Write:0x6A, Read:0xEB)



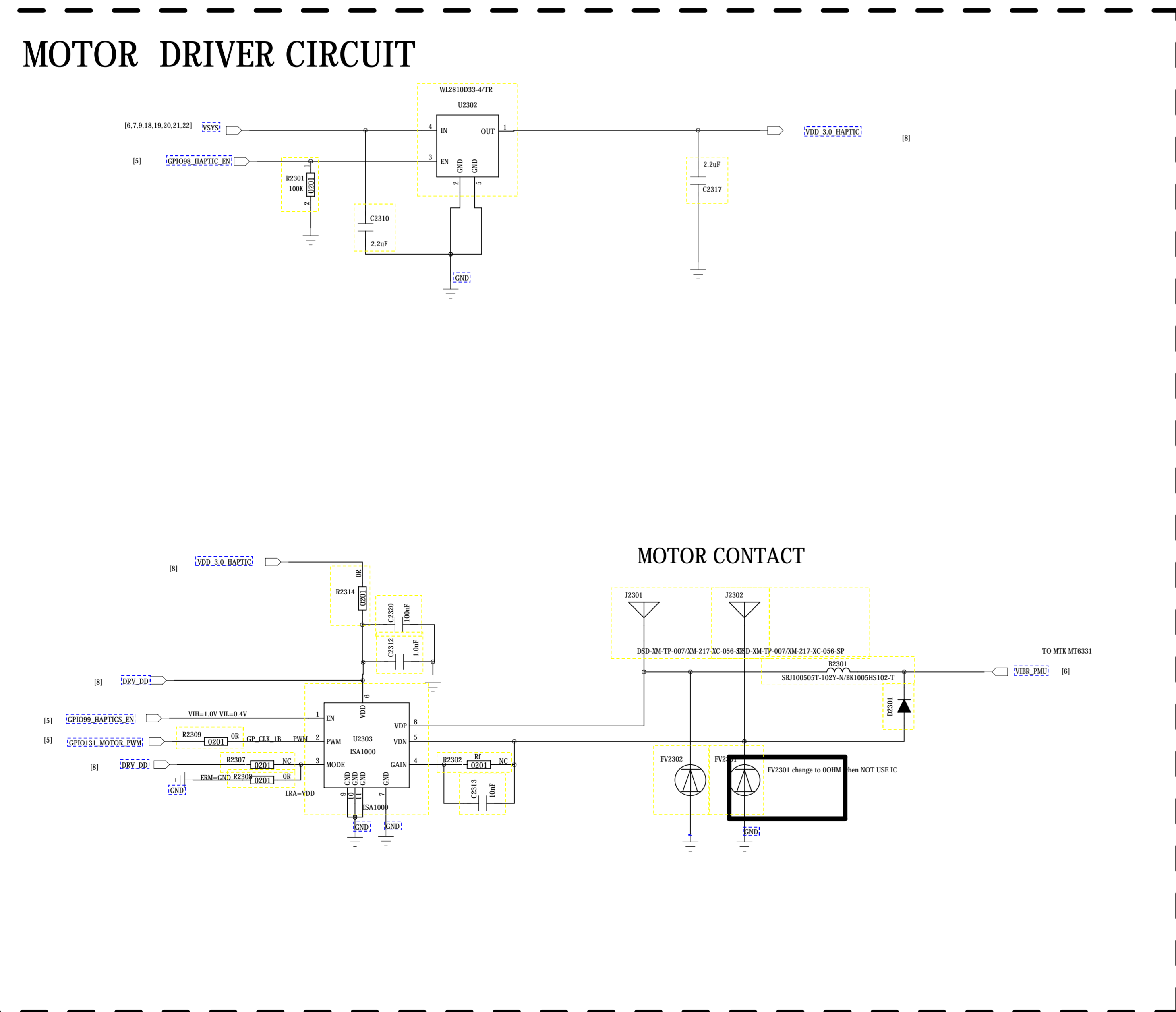
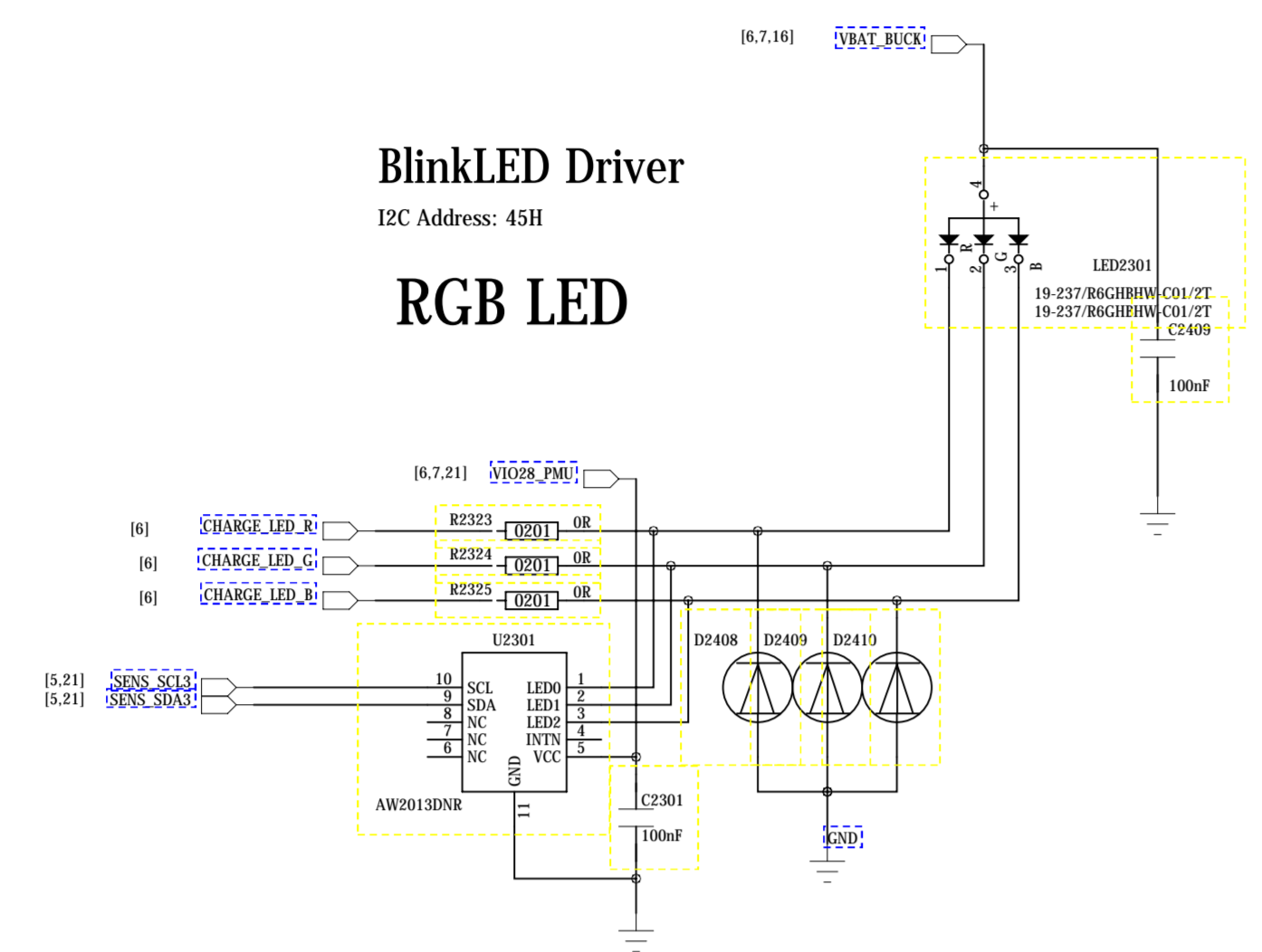
BATTERY CONNECTOR
Battery Connector



Note: 21-1
R2107: VBAT_1, VBAT_2, VBAT_3, VBAT_4, VBAT_5, VBAT_6, VBAT_7, VBAT_8, VBAT_9, VBAT_10, VBAT_11, VBAT_12, VBAT_13, VBAT_14, VBAT_15, VBAT_16, VBAT_17, VBAT_18, VBAT_19, VBAT_20, VBAT_21, VBAT_22, VBAT_23, VBAT_24, VBAT_25, VBAT_26, VBAT_27, VBAT_28, VBAT_29, VBAT_30, VBAT_31, VBAT_32, VBAT_33, VBAT_34, VBAT_35, VBAT_36, VBAT_37, VBAT_38, VBAT_39, VBAT_40, VBAT_41, VBAT_42, VBAT_43, VBAT_44, VBAT_45, VBAT_46, VBAT_47, VBAT_48, VBAT_49, VBAT_50

COMPANY: <Company Name>	
TITLE: <Title>	
DESIGN: <Drawn By>	DATE: <Drawn Date>
CHECKED: <Checked By>	DATE: <Checked Date>
QUALITY CONTROL: <QC By>	DATE: <QC Date>
RELEASED: <Released By>	DATE: <Release Date>
CODE: <Code>	SIZE: A0
ISSUE NO: <Drawing Number>	REVISION: <Revision>
SCALE: <Scale>	SHEET: 23

REVISION RECORD			
ITR	ECO NO.	APPROVED	DATE

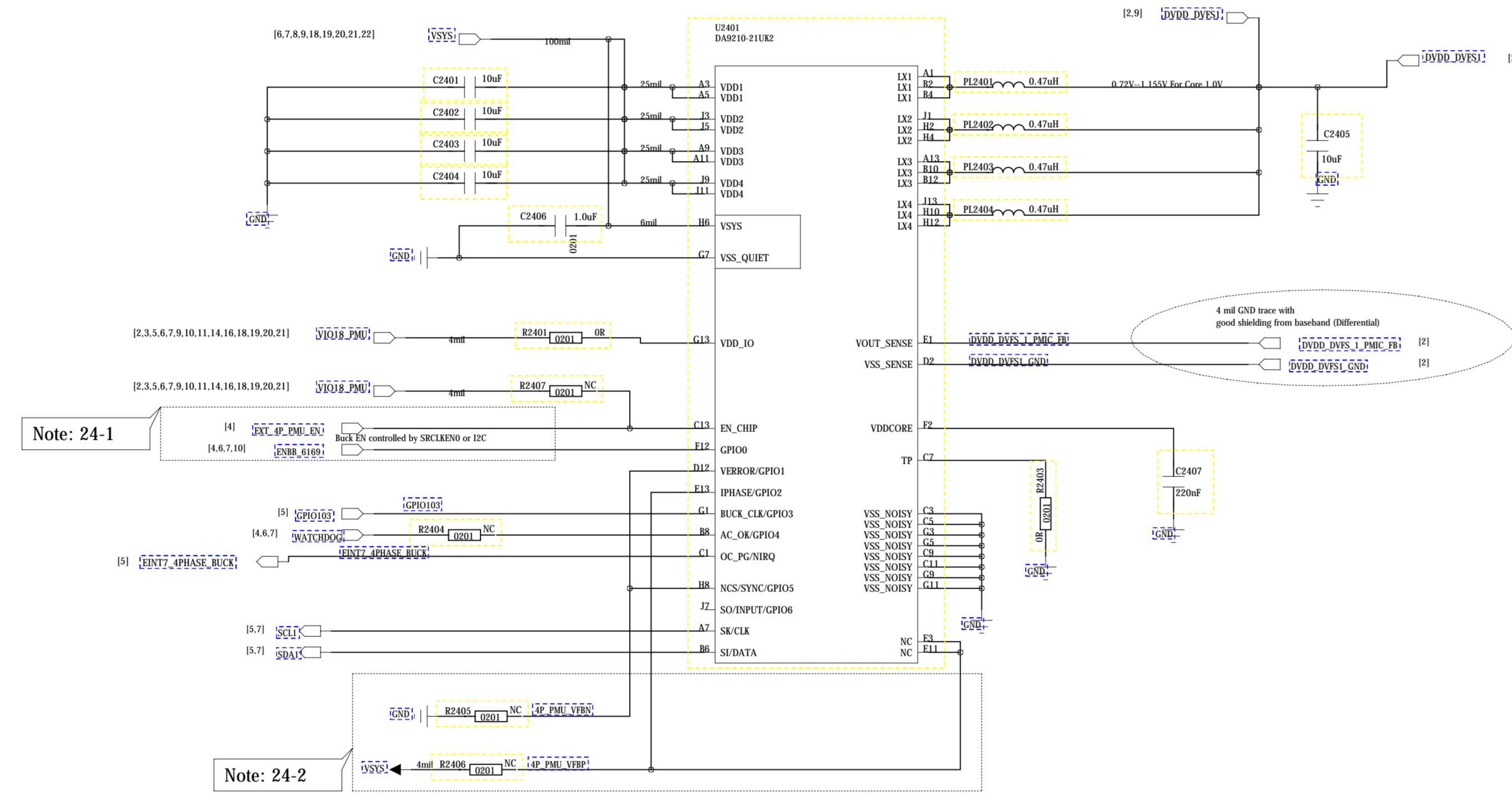


DRAWN: <Drawn By>		DATED: <Drawn Date>		COMPANY: <Company Name>	
CHECKED: <Checked By>		DATED: <Checked Date>		TITLE: <Title>	
QUALITY CONTROL: <QC By>		DATED: <QC Date>		CODE: <Code>	SIZE: A0
RELEASED: <Released By>		DATED: <Release Date>		DRAWING NO.: <Drawing Number>	
SCALE: <Scale>		SHEET: 8		23	

REVISION RECORD			
ITER	ECO NO.	APPROVED	DATE

4-Phase Buck

4-Phase Buck I2C address: 0X68 (Write:0xD0, Read:0xD1)



Note: 24-1

Note: 24-2

Schematic design notice of "24_POWER_EXT_4PHASE_BUCK" page.

Note 24-1: DA9210's GPIO0 = SRCLRENA0 => Buck EN controlled by SRCLRNO or I2C.

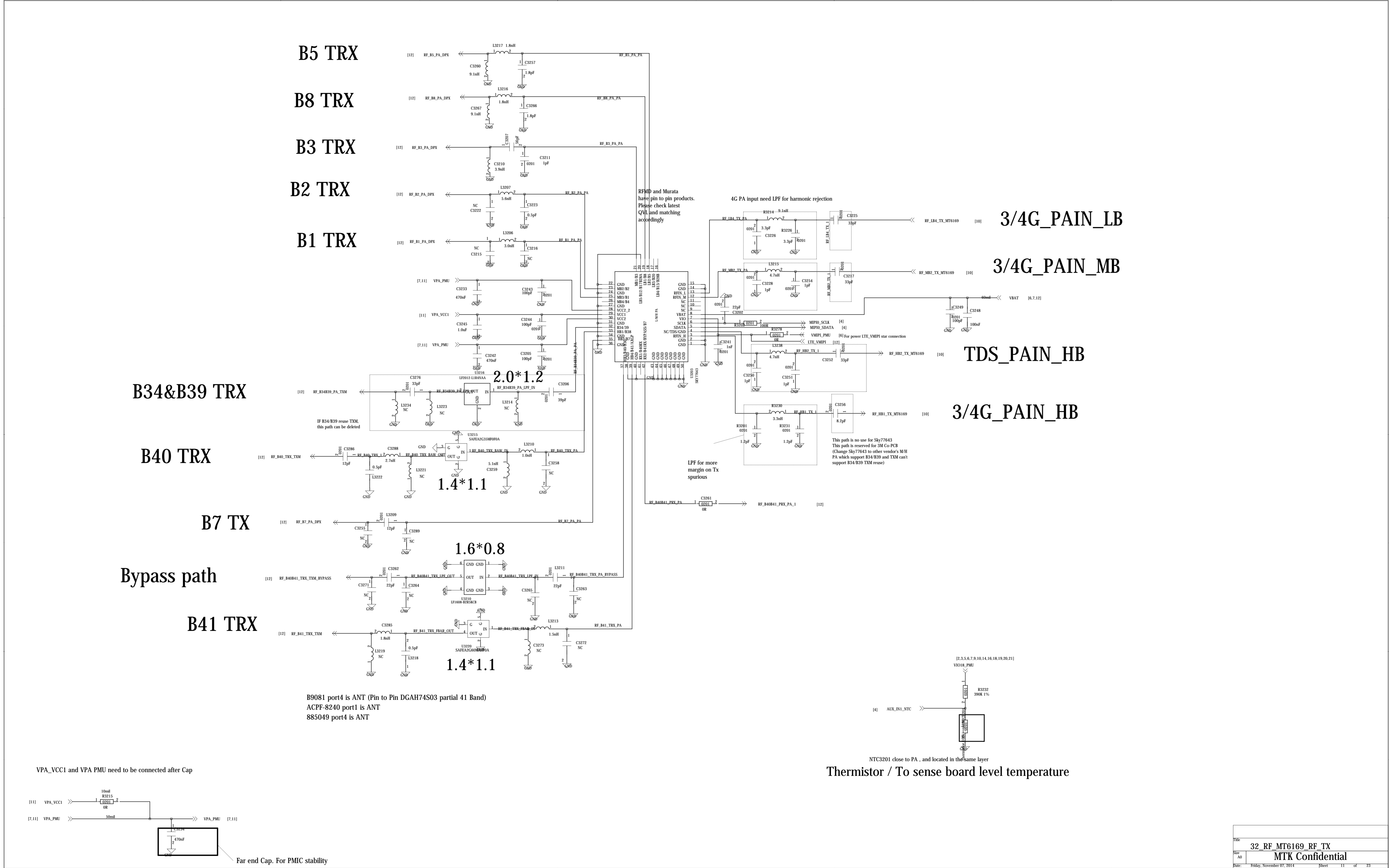
Note 24-2: BOM option to select which 4-phase buck be applied? DA9210 or second source.

	R2402	R2404	R2405	R2406
DA9210	N/M	N/M	N/M	N/M
2nd source	10K	OR	OR	OR

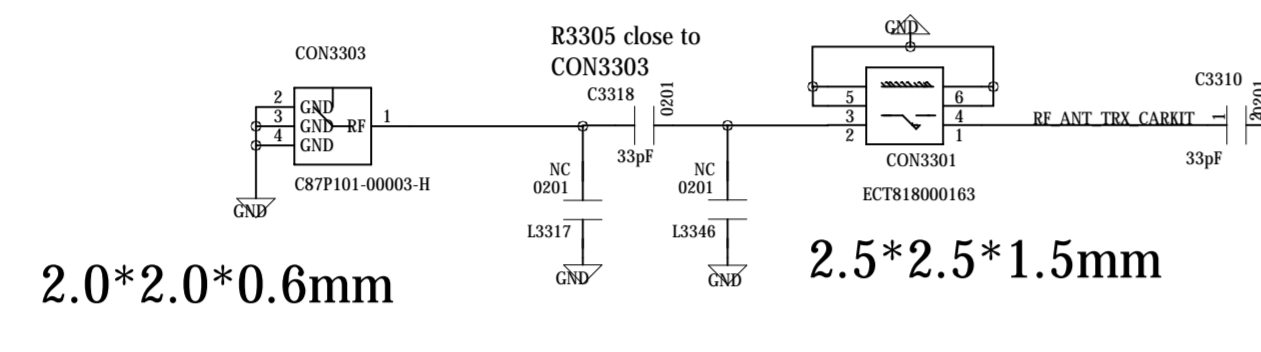
COMPANY: <Company Name>

TITLE: <Title>

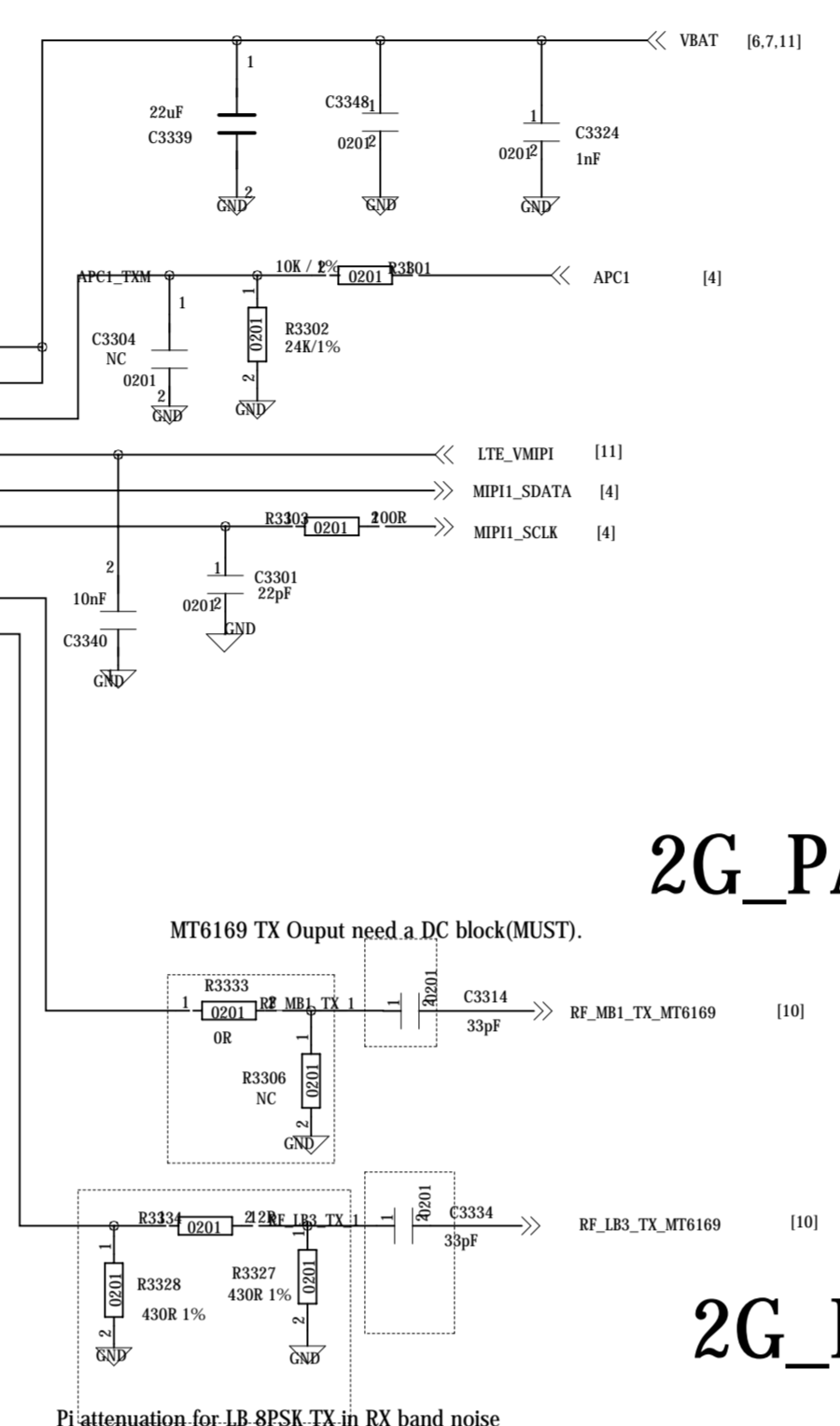
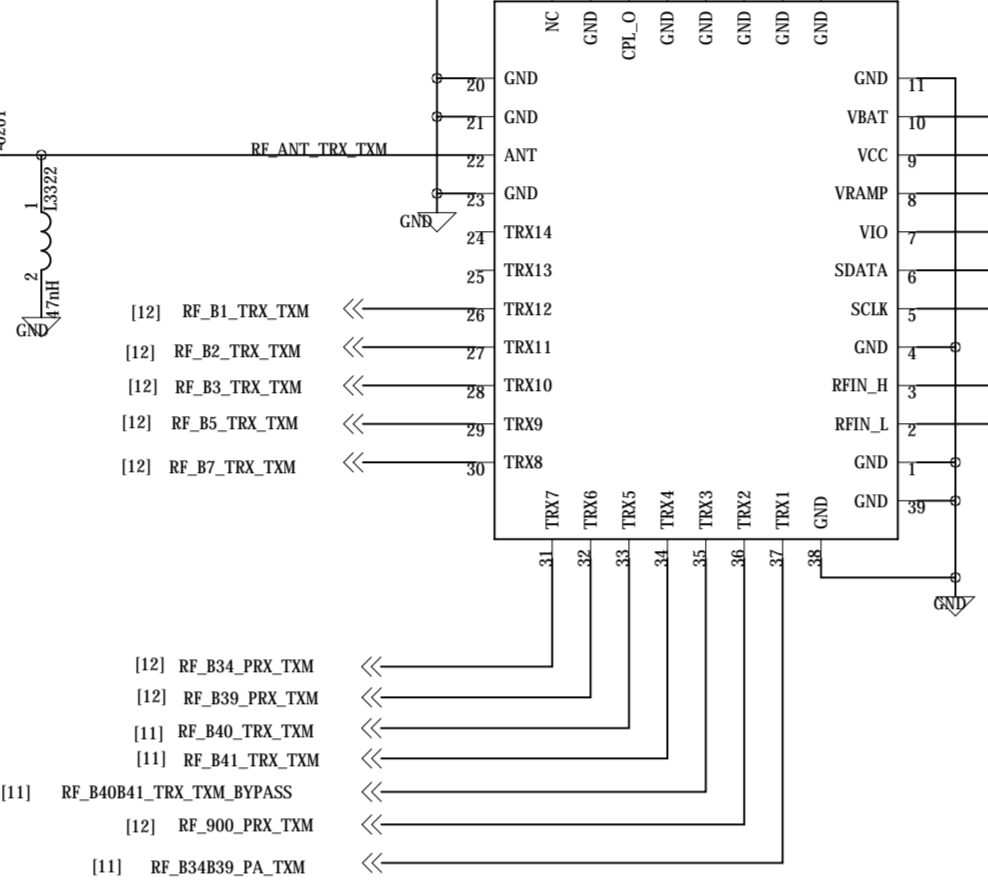
DRAWN: <Drawn By>	DATE: <Drawn Date>	CODE: <Code>	SIZE: A0	DRAWING NO: <Drawing Number>	REV: <Revision>
CHECKED: <Checked By>	DATE: <Checked Date>	QUALITY CONTROL: <QC By>			
RELEASED: <Released By>	DATE: <Release Date>	SCALE: <Scale>	SHEET: 23		



ASM_Main



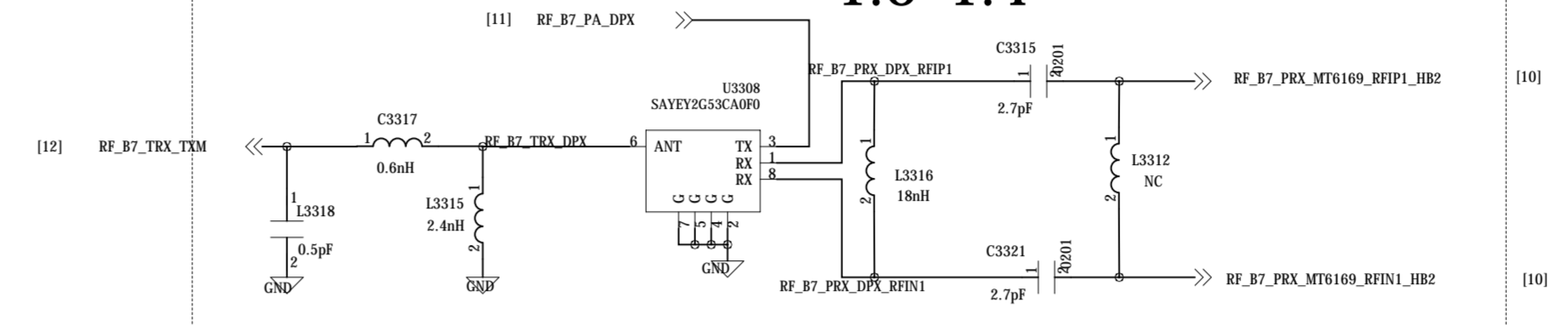
SP16T



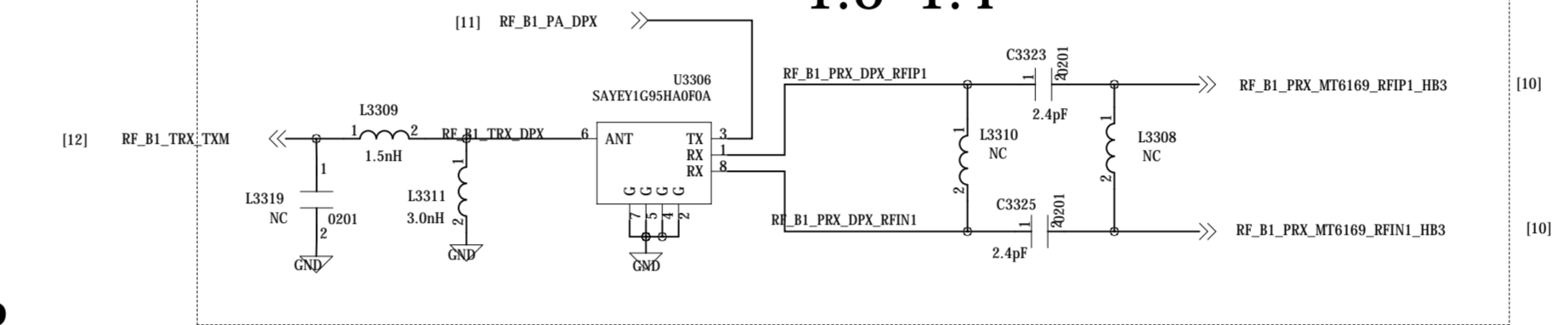
2G_PAIN_HB

2G_PAIN_LB

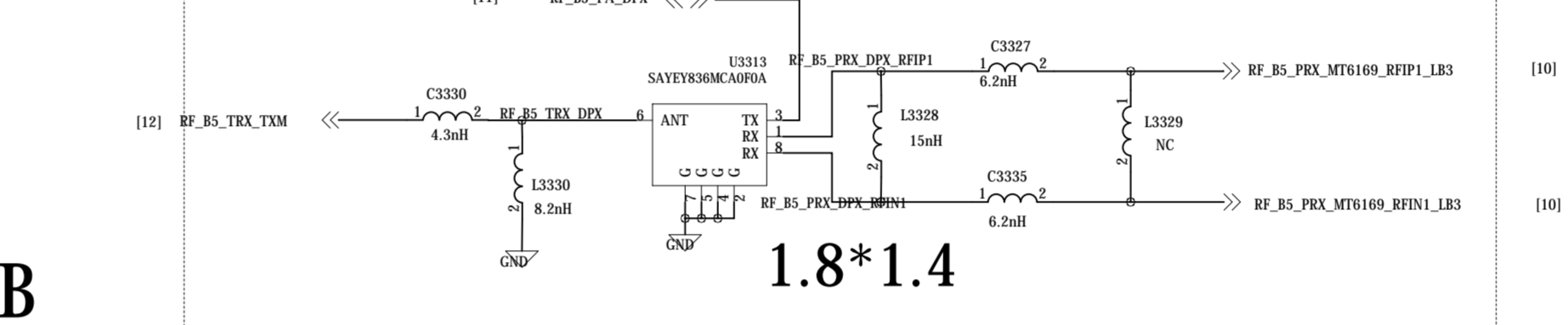
B7 TRX



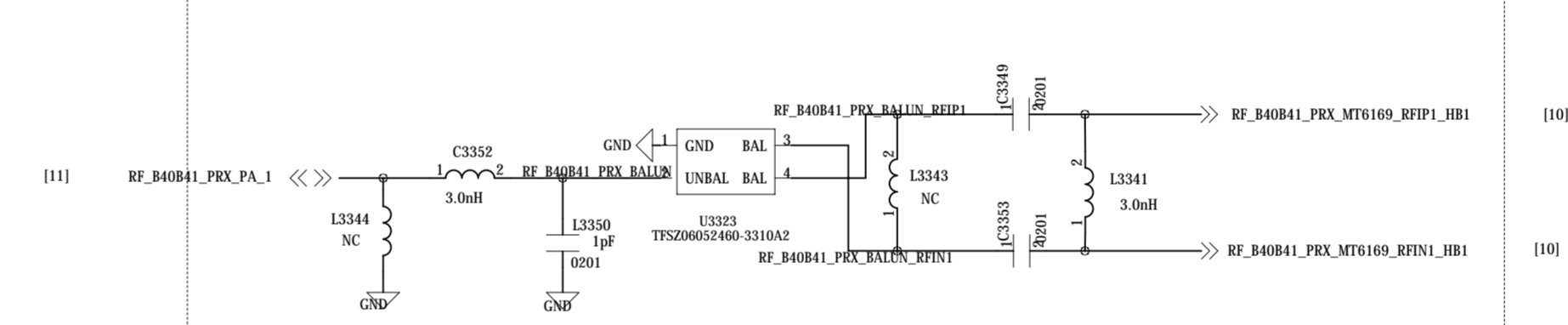
B1 TRX



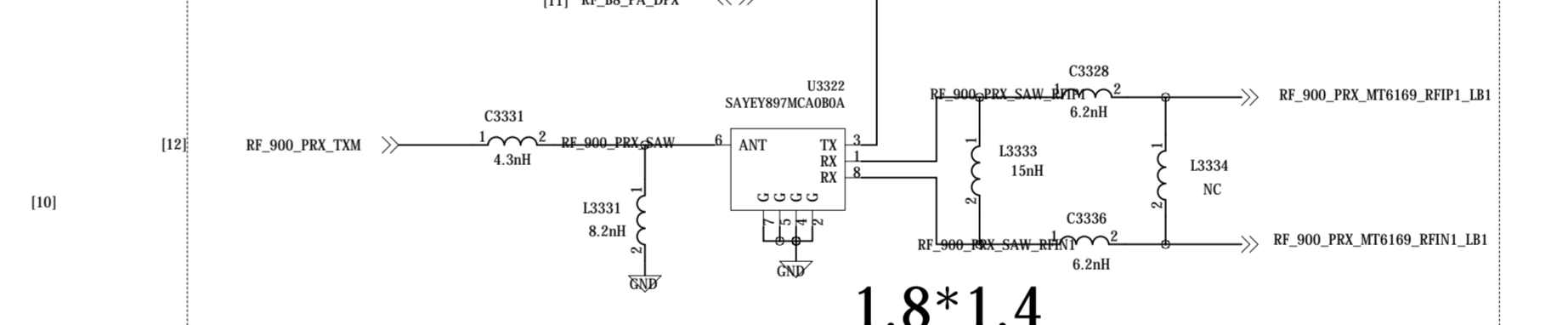
B5 TRX



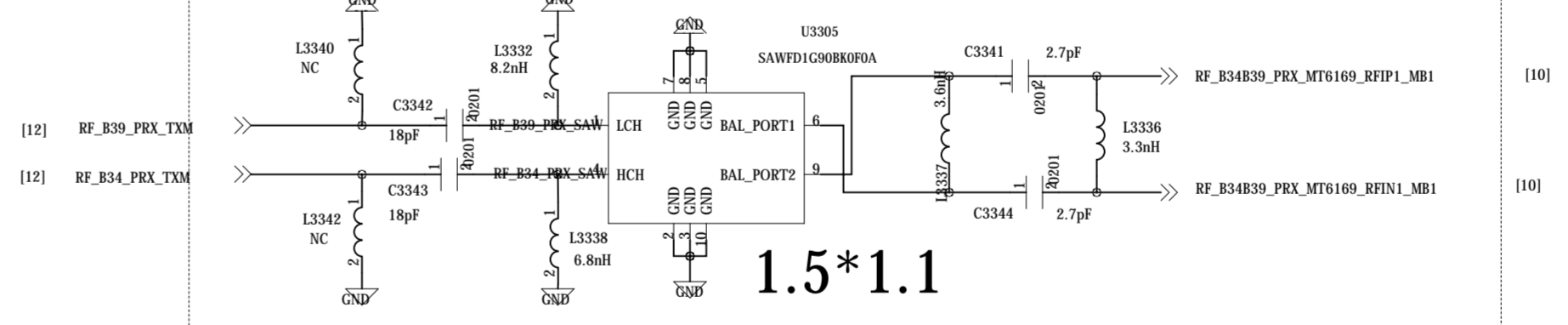
B40/B41 PRX



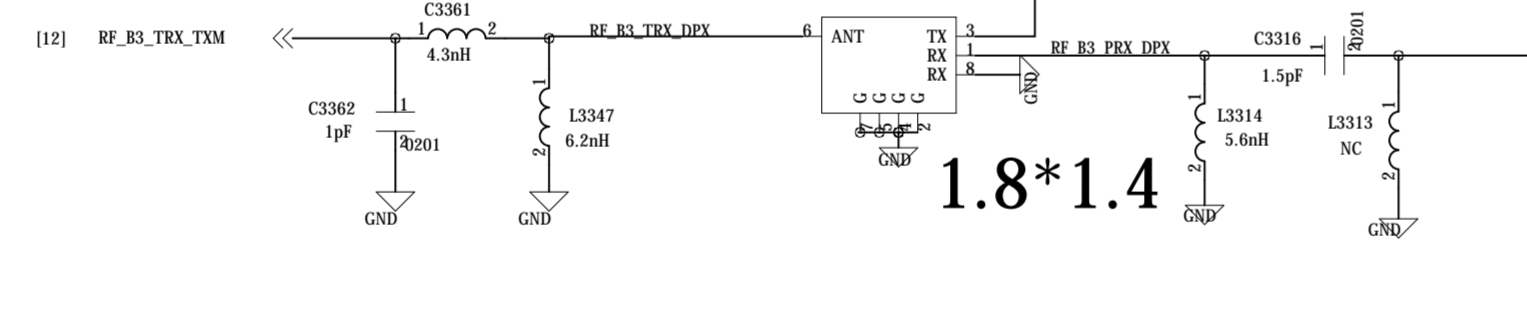
B8 TRX



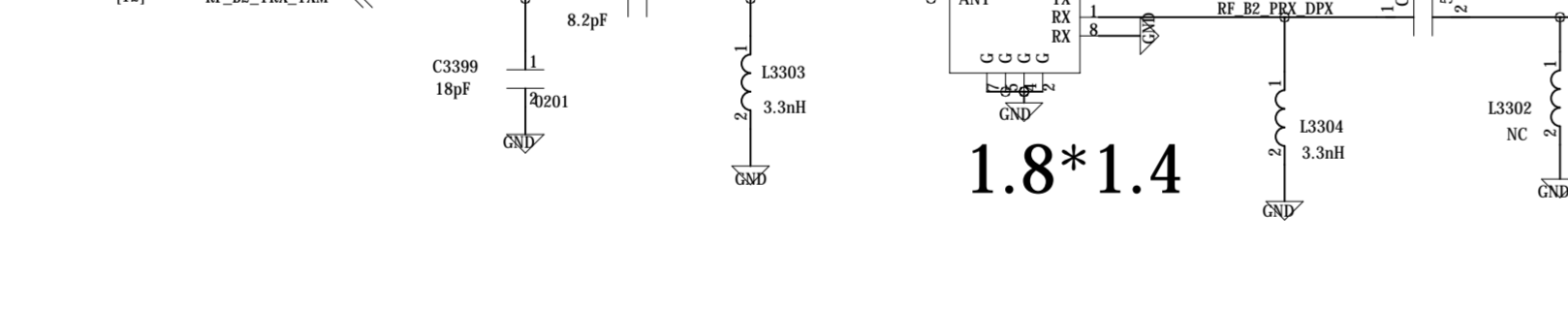
B34&B39 PRX



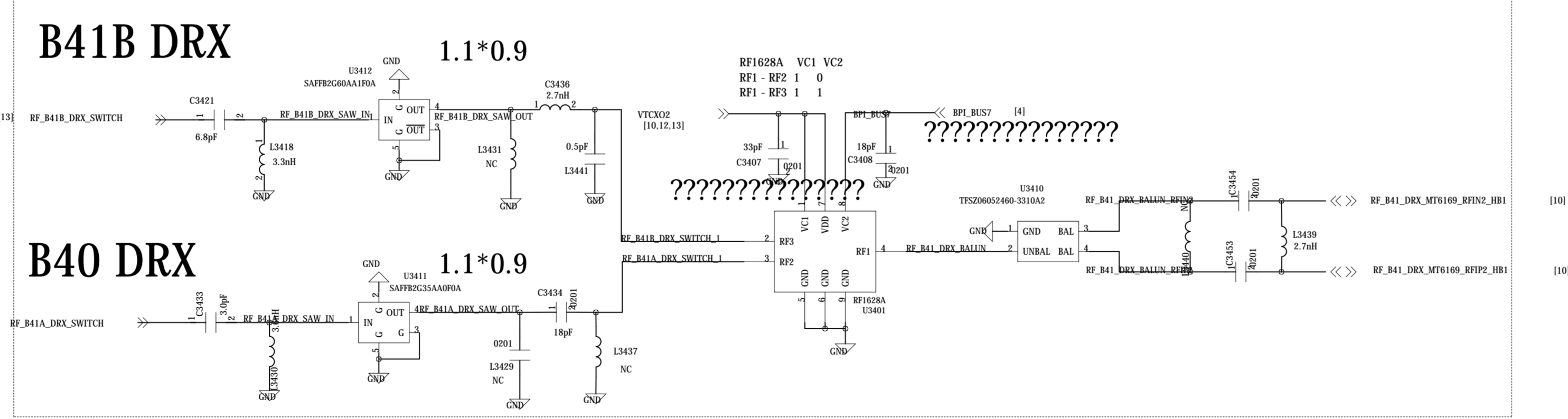
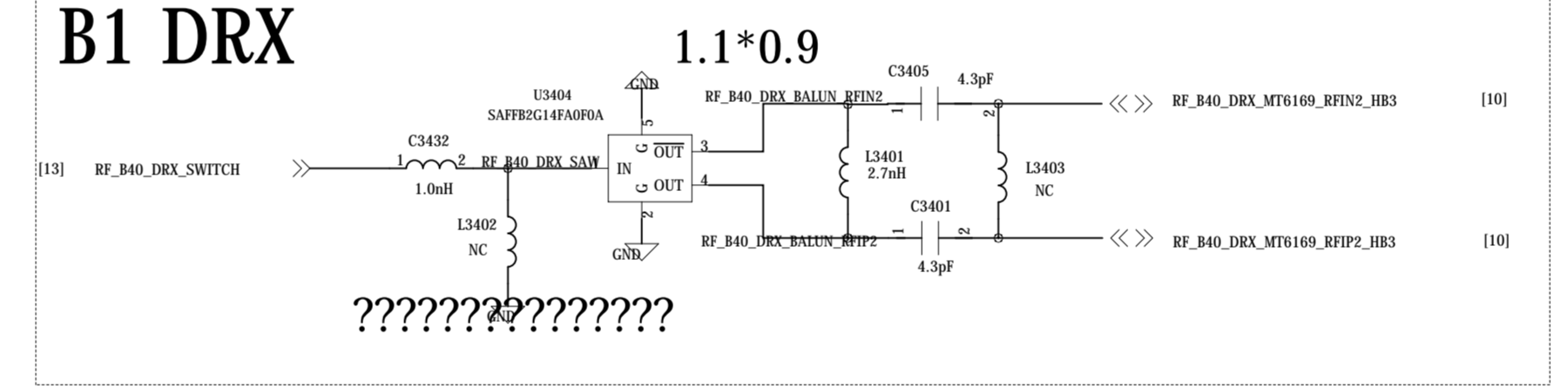
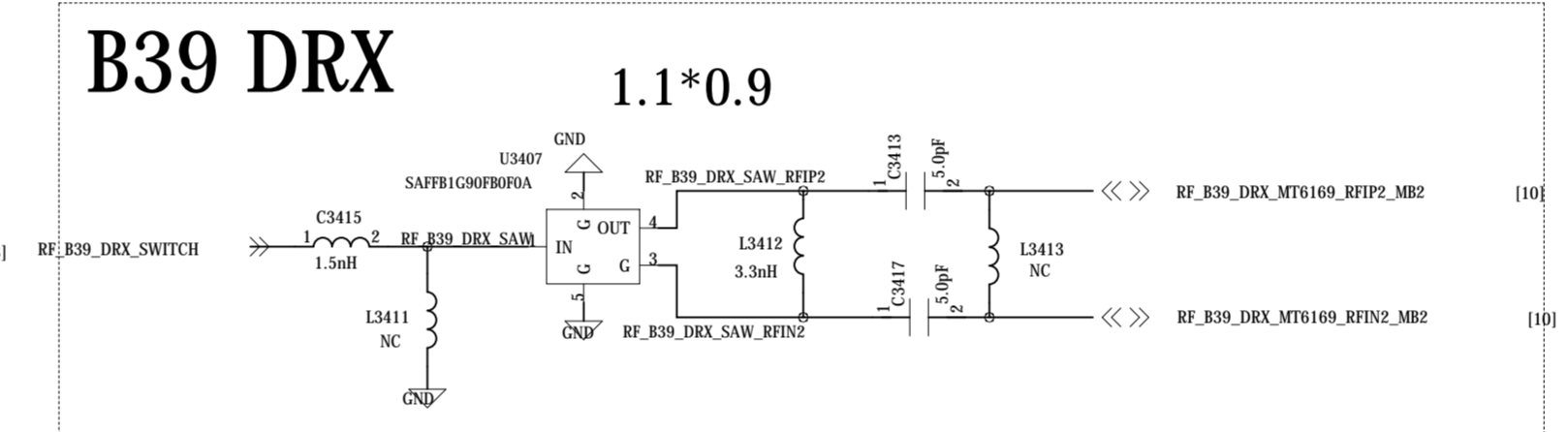
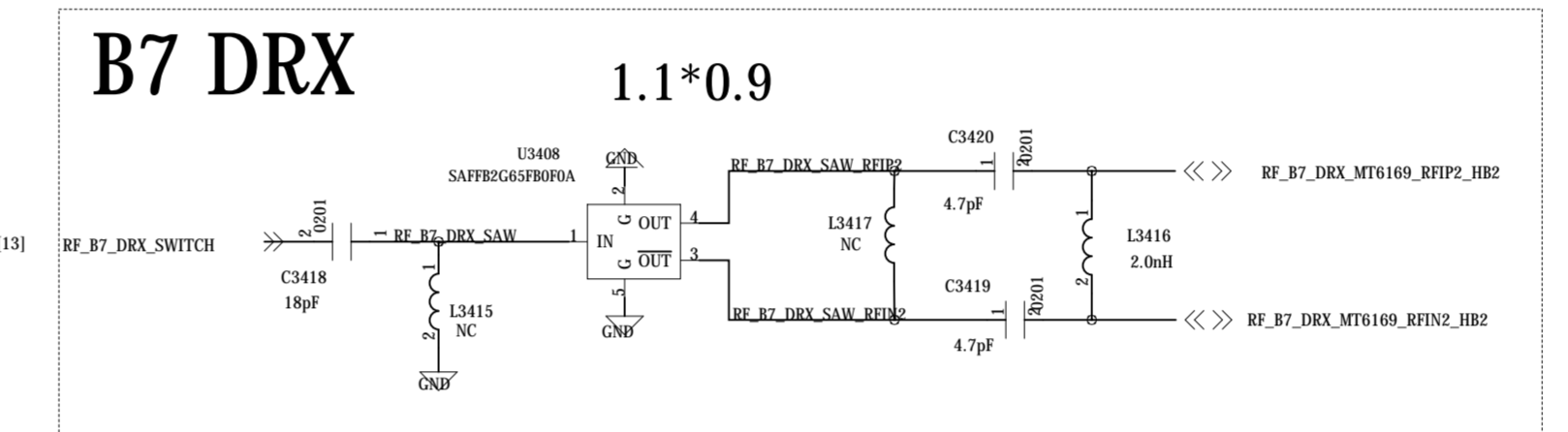
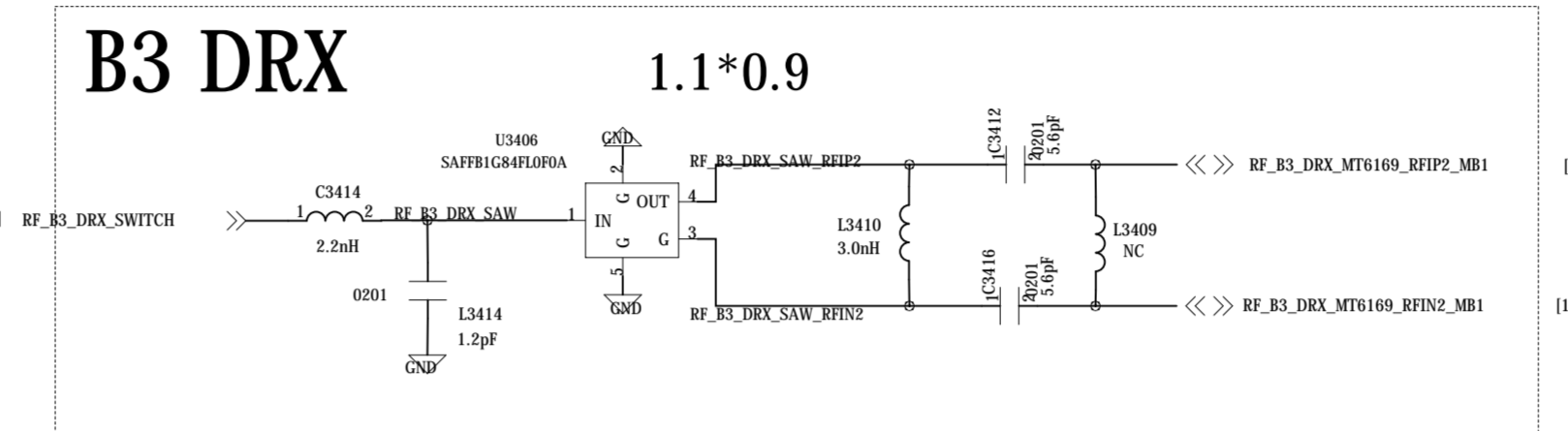
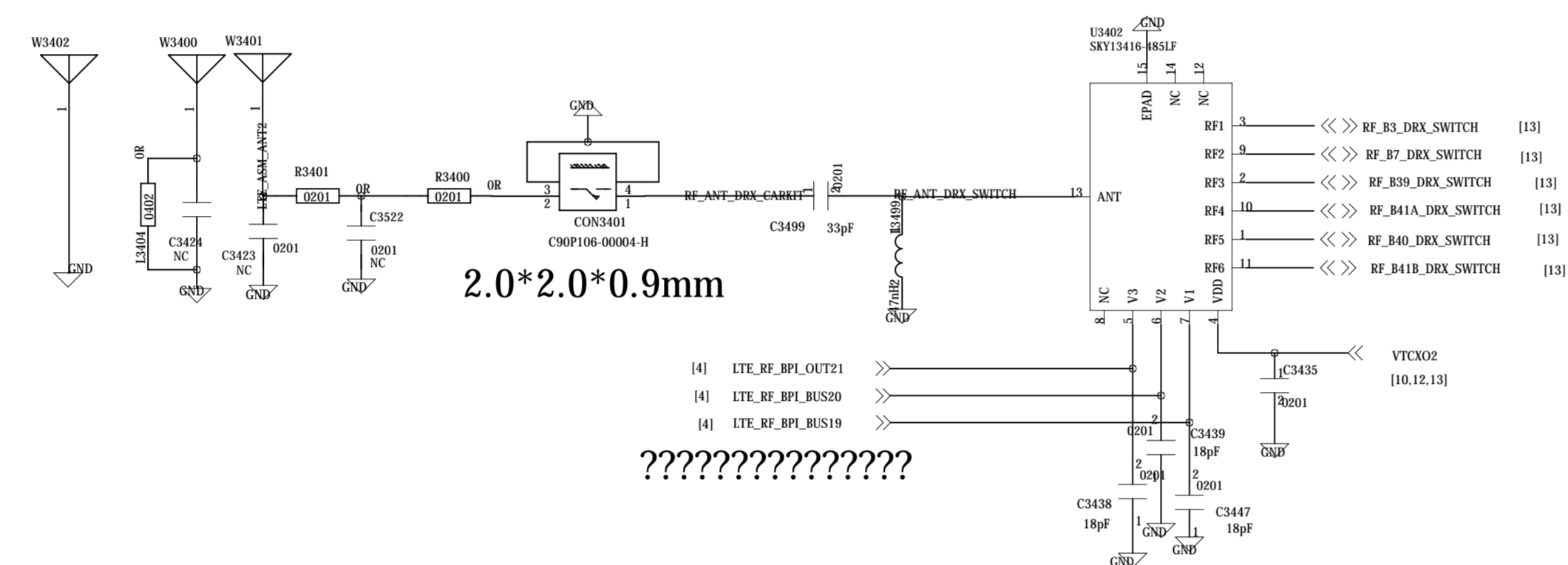
B3 TRX



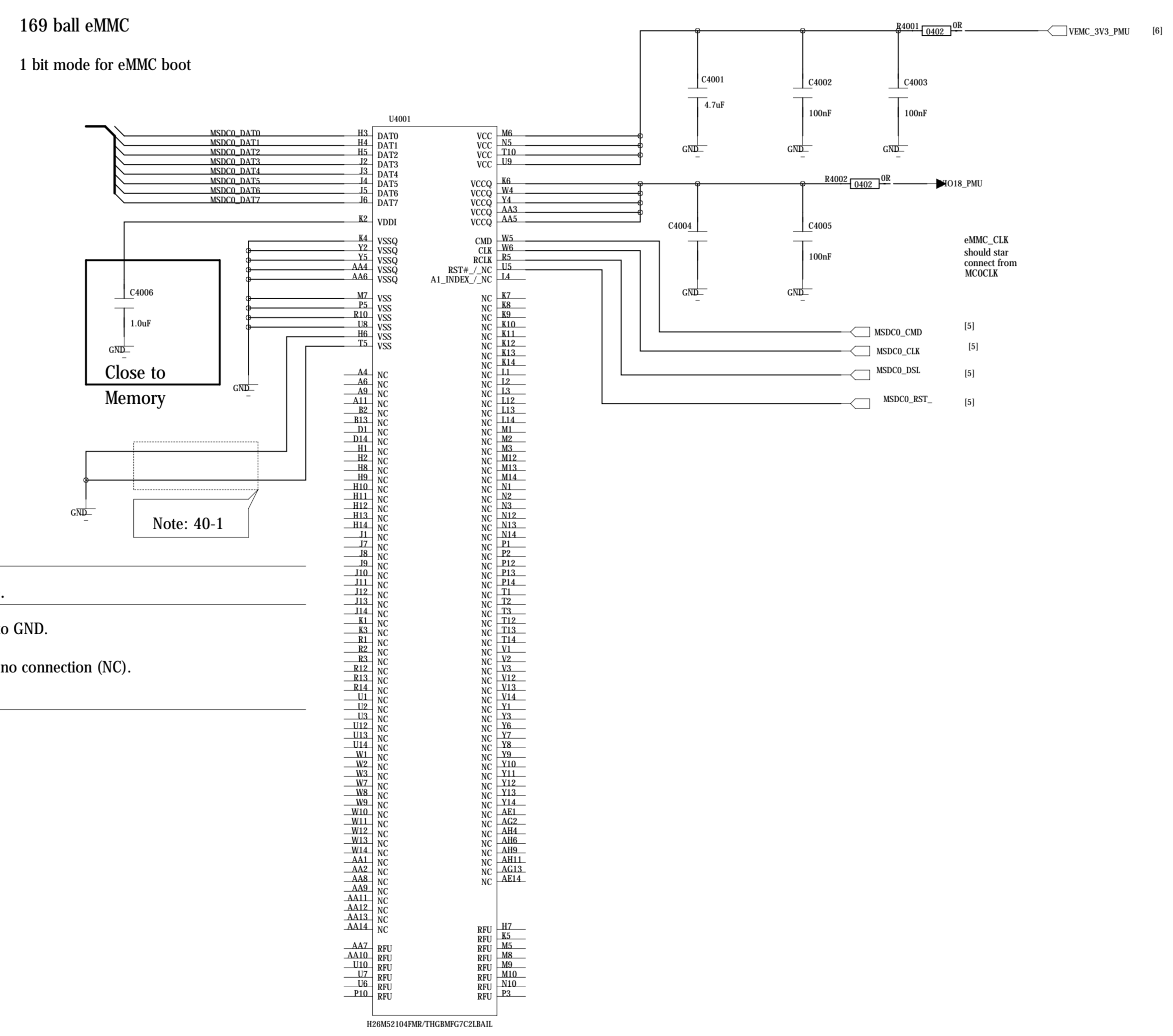
B2 TRX



DRX ANT: 1805-2690MHz
DRX Car Kit SP6T



REVISION RECORD			
LTB	ECO NO.	APPROVED	DATE



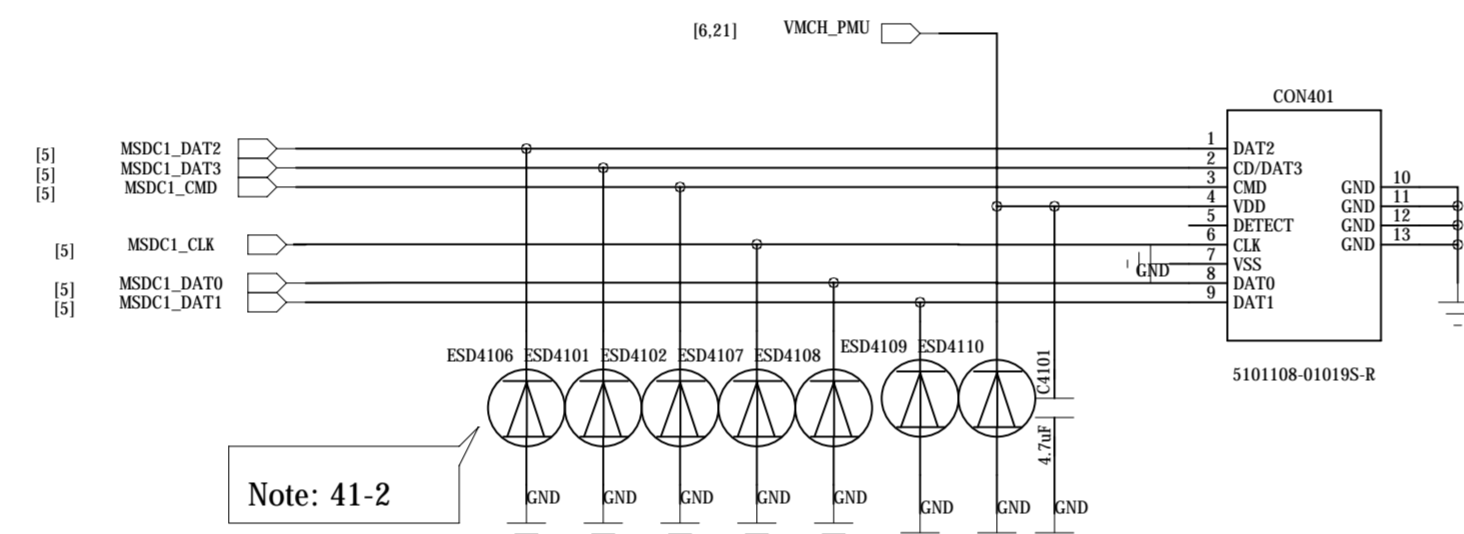
Schematic design notice of "40_MEMORY_eMMC" page.

Note 40-1: For eMMC 5.0, connect eMMC's H6 & T5 pin to GND.
For eMMC 4.5, check eMMC's H6 & T5 is real no connection (NC).

DRAWN: <Drawn By>		DATE: <Drawn Date>		COMPANY: <Company Name>			
CHECKED: <Checked By>		DATE: <Checked Date>		TITLE: <Title>			
QUALITY CONTROL: <QC By>		DATE: <QC Date>		CODE: <Code>	SIZE: A0	DRAWING NO: <Drawing Number>	REV: <Revision>
RELEASED: <Released By>		DATE: <Release Date>		SCALE: <Scale>	SHEET: 44		23

REVISION RECORD			
ITR	ECO NO.	APPROVED	DATE

SD CARD



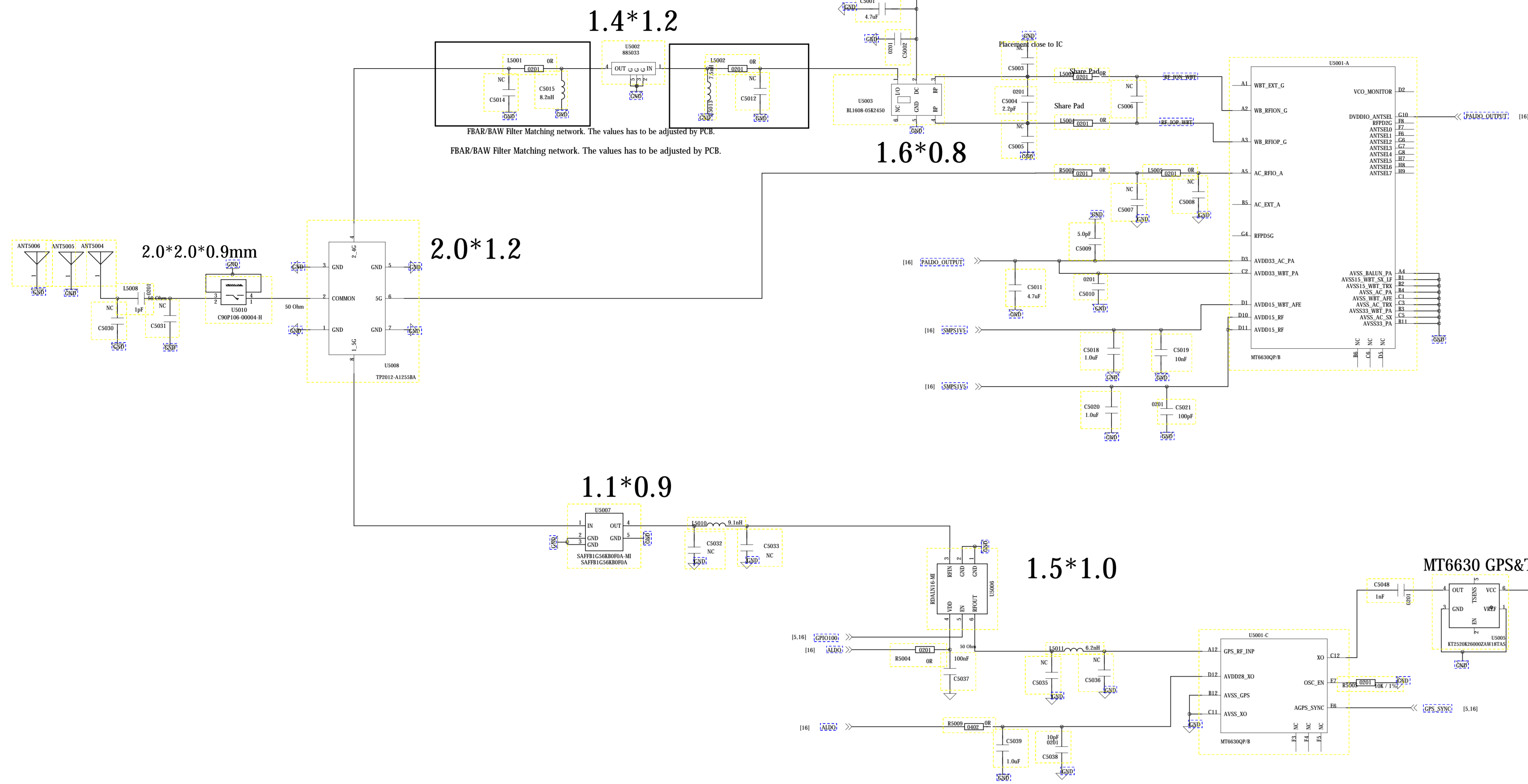
Schematic design notice of "41_MEMORY_SD Card" page.

Note 41-1: The equivalent capacitance of ESD protection device must be $\leq 1pF$
 -- otherwise it will result in NFC card mode function fail.

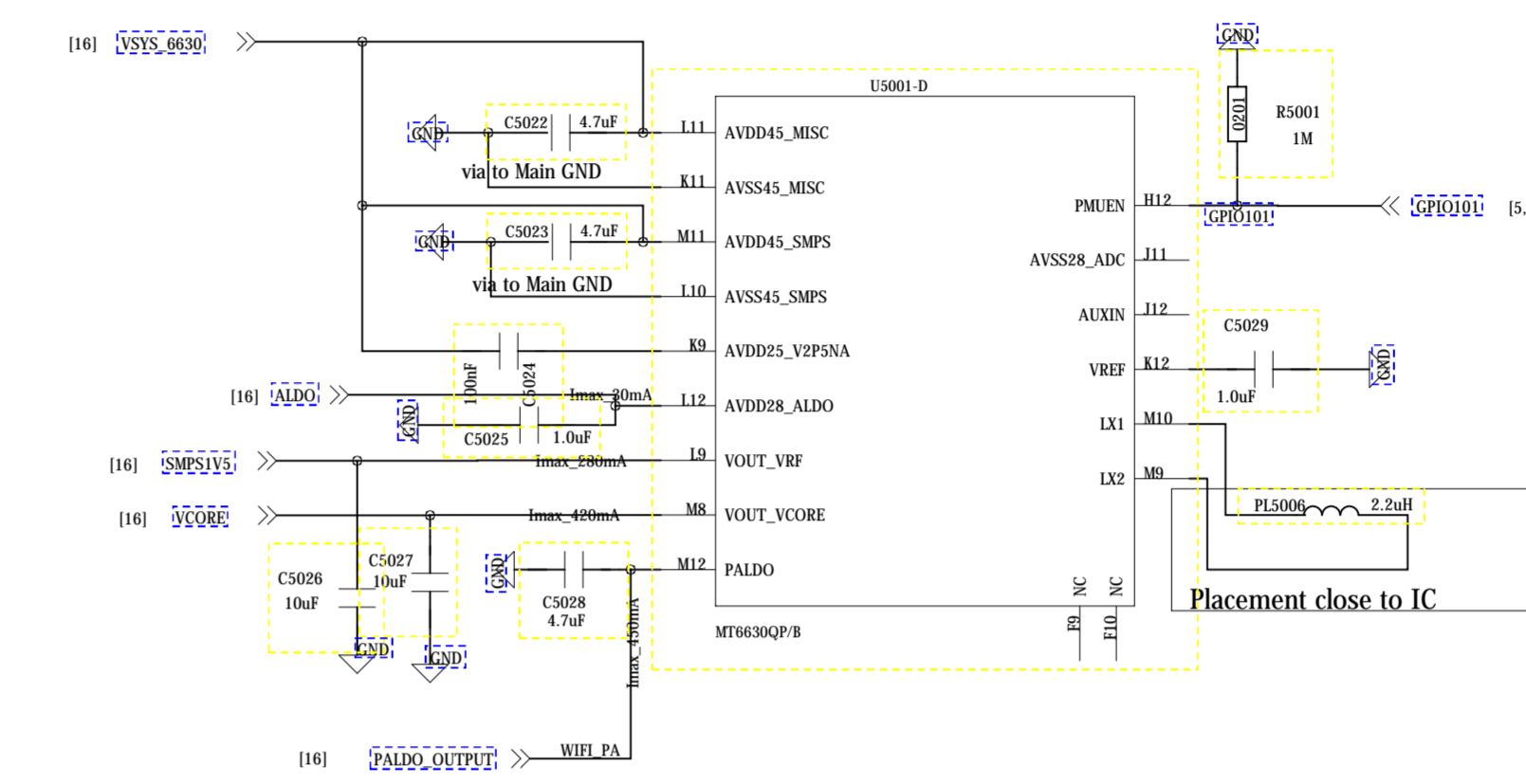
Note 41-2: Depends on system design to add ESD protection component or not.

DRAWN		DATE		COMPANY		TITLE	
<Drawn By>		<Drawn Date>		<Company Name>		<Title>	
CHECKED		DATE		CODE		SIZE	
<Checked By>		<Checked Date>		<Code>		<Scale>	
QUALITY CONTROL		DATE		DRAWING NO.		REV.	
<QC By>		<QC Date>		A0		<Drawing Number><Revision>	
RELEASED		DATE		SCALE		SHEET	
<Released By>		<Release Date>		<Scale>		45 23	

MT6630 WiFi_2.4G_5G (11ac) & BT

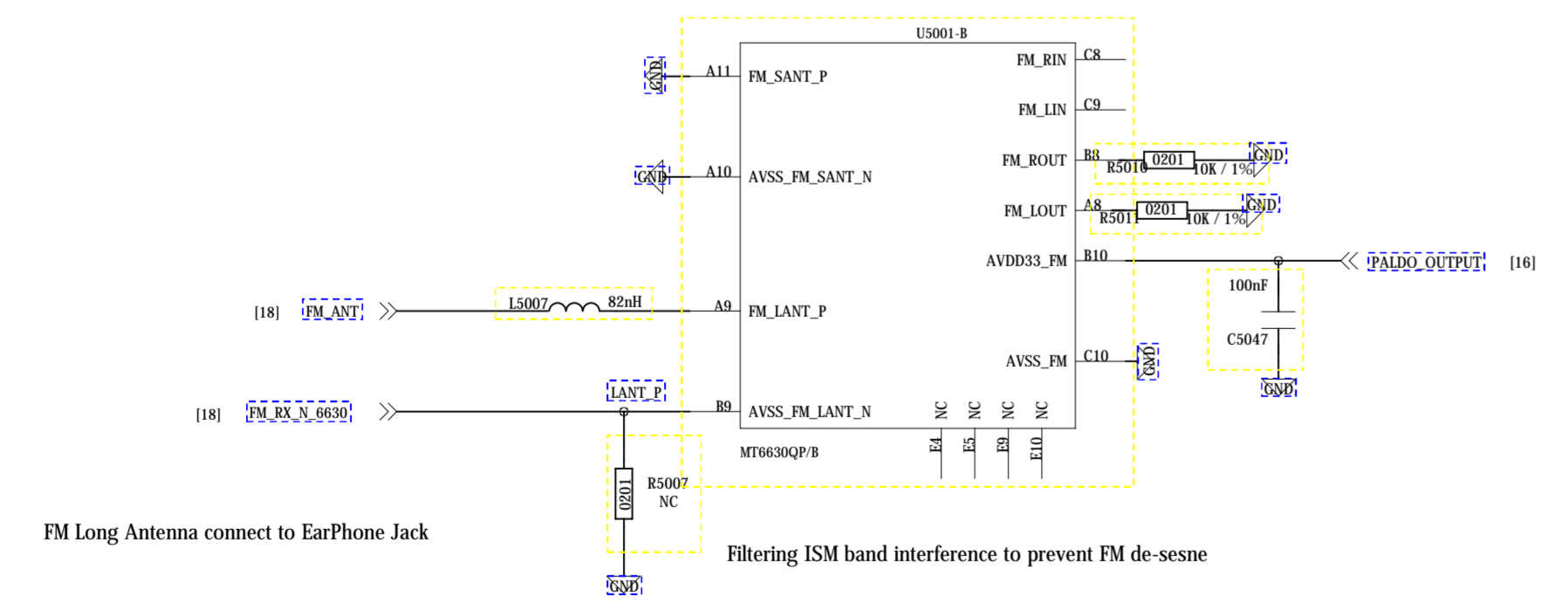
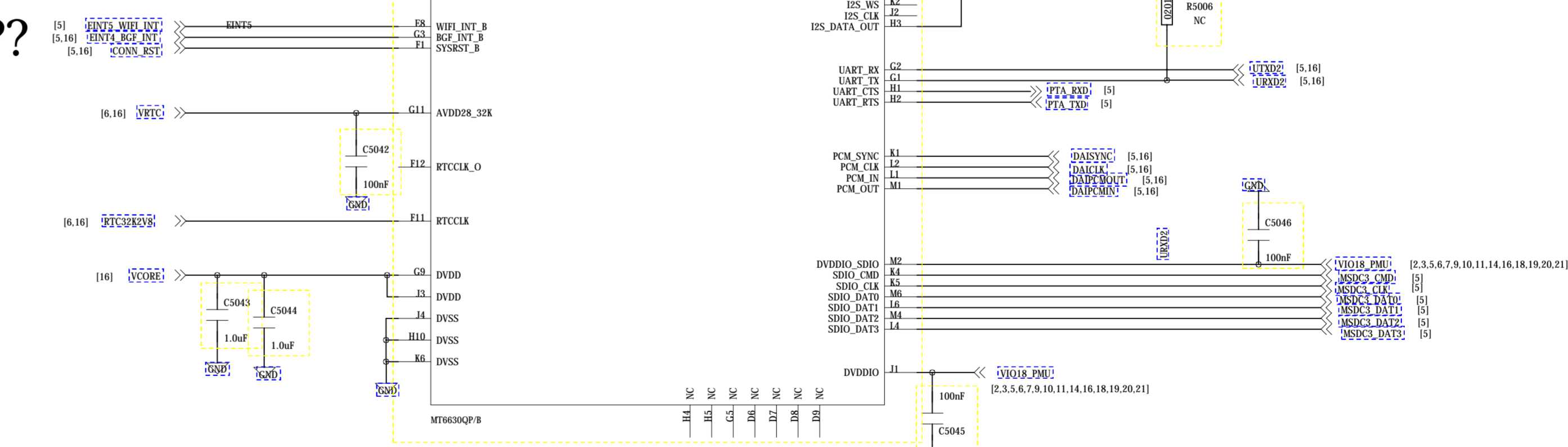


MT6630 PMU

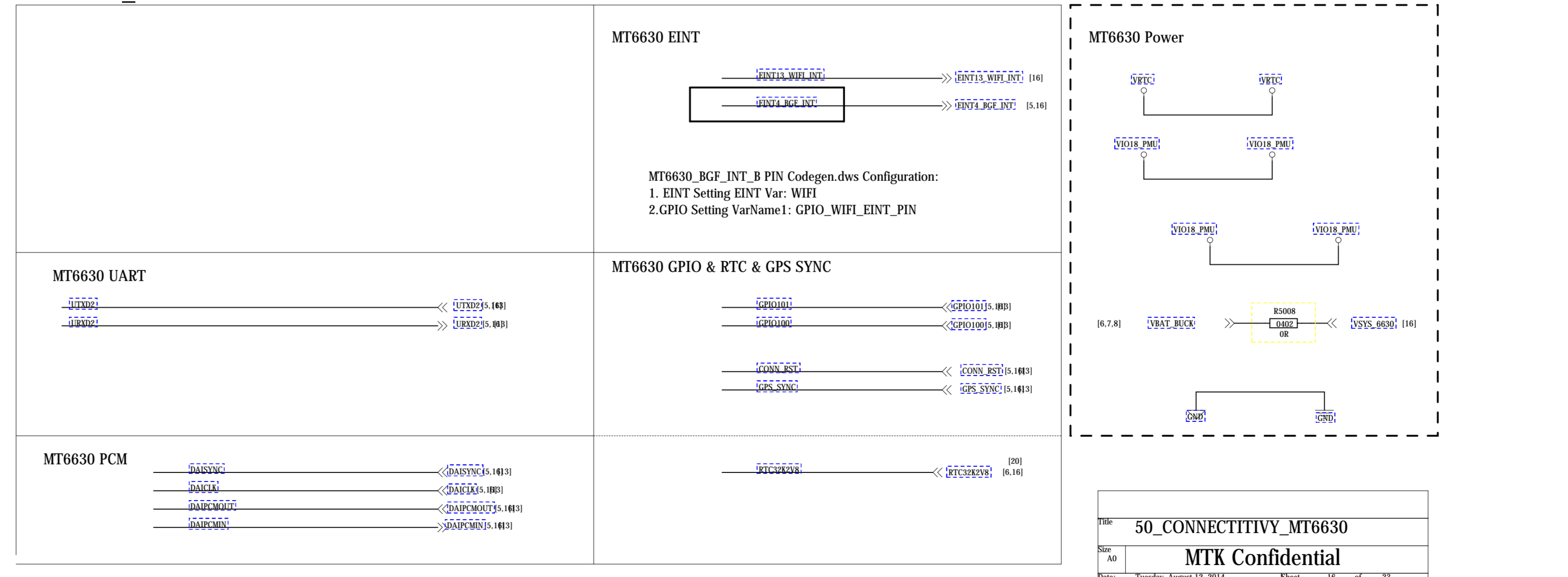


????????????

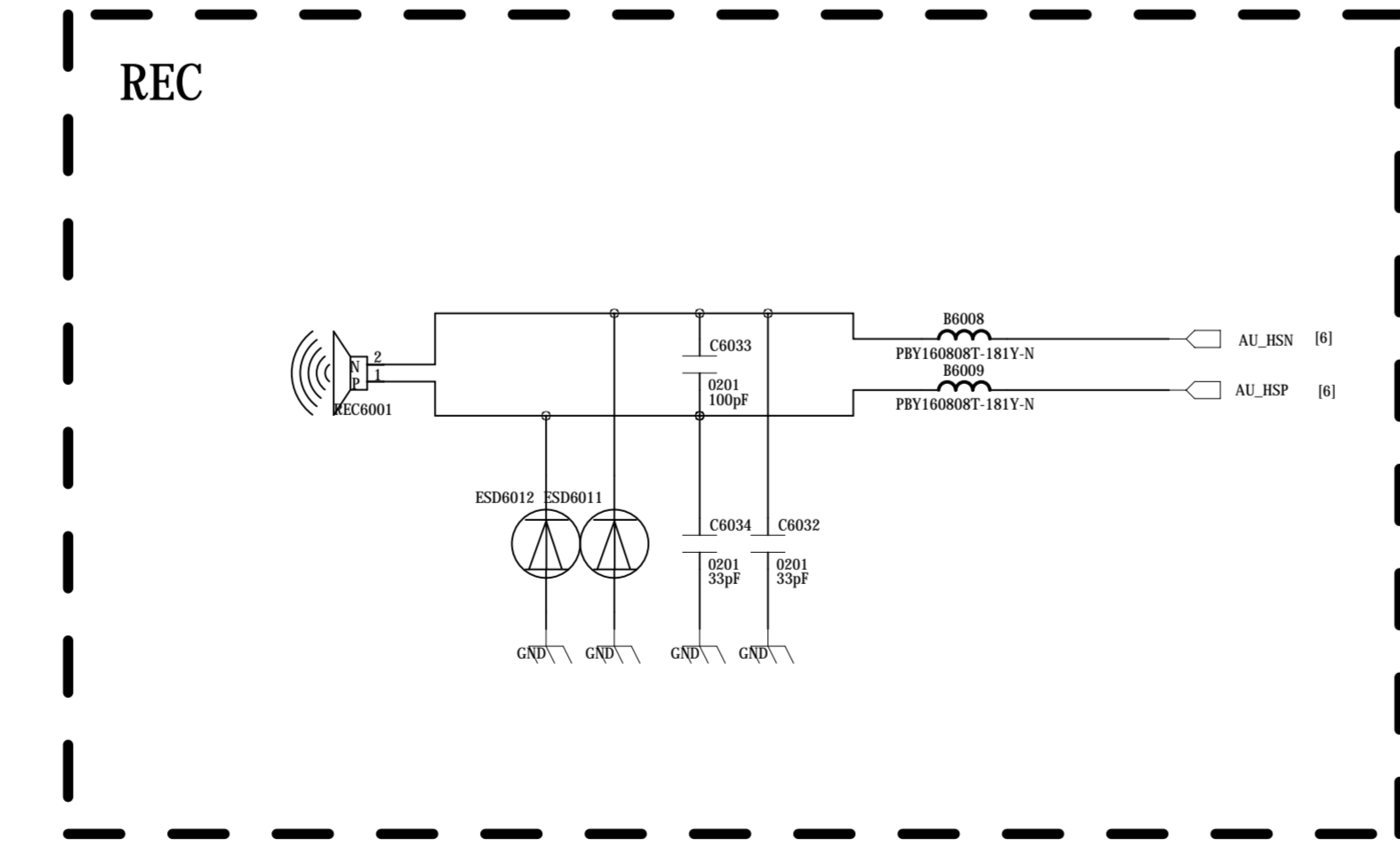
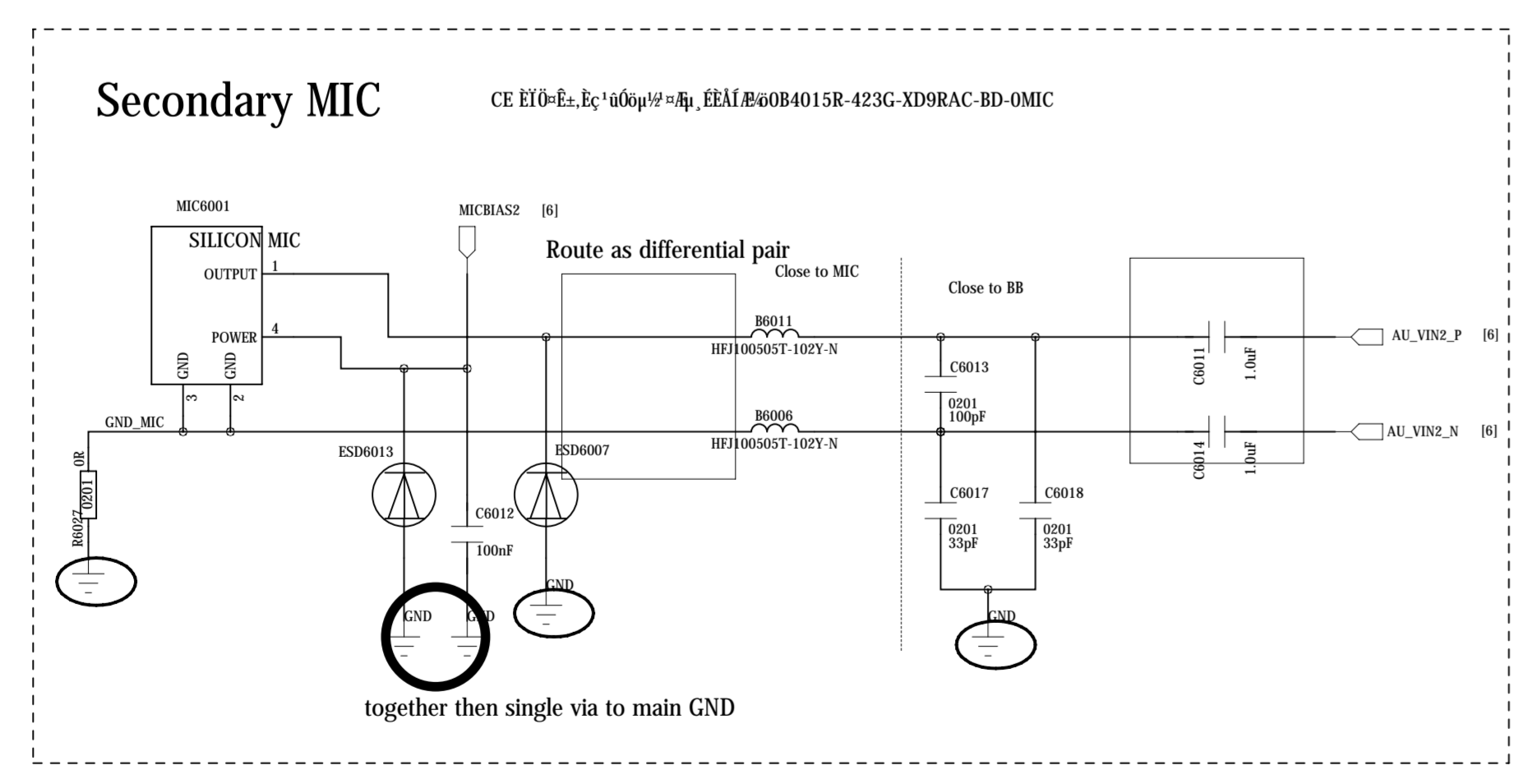
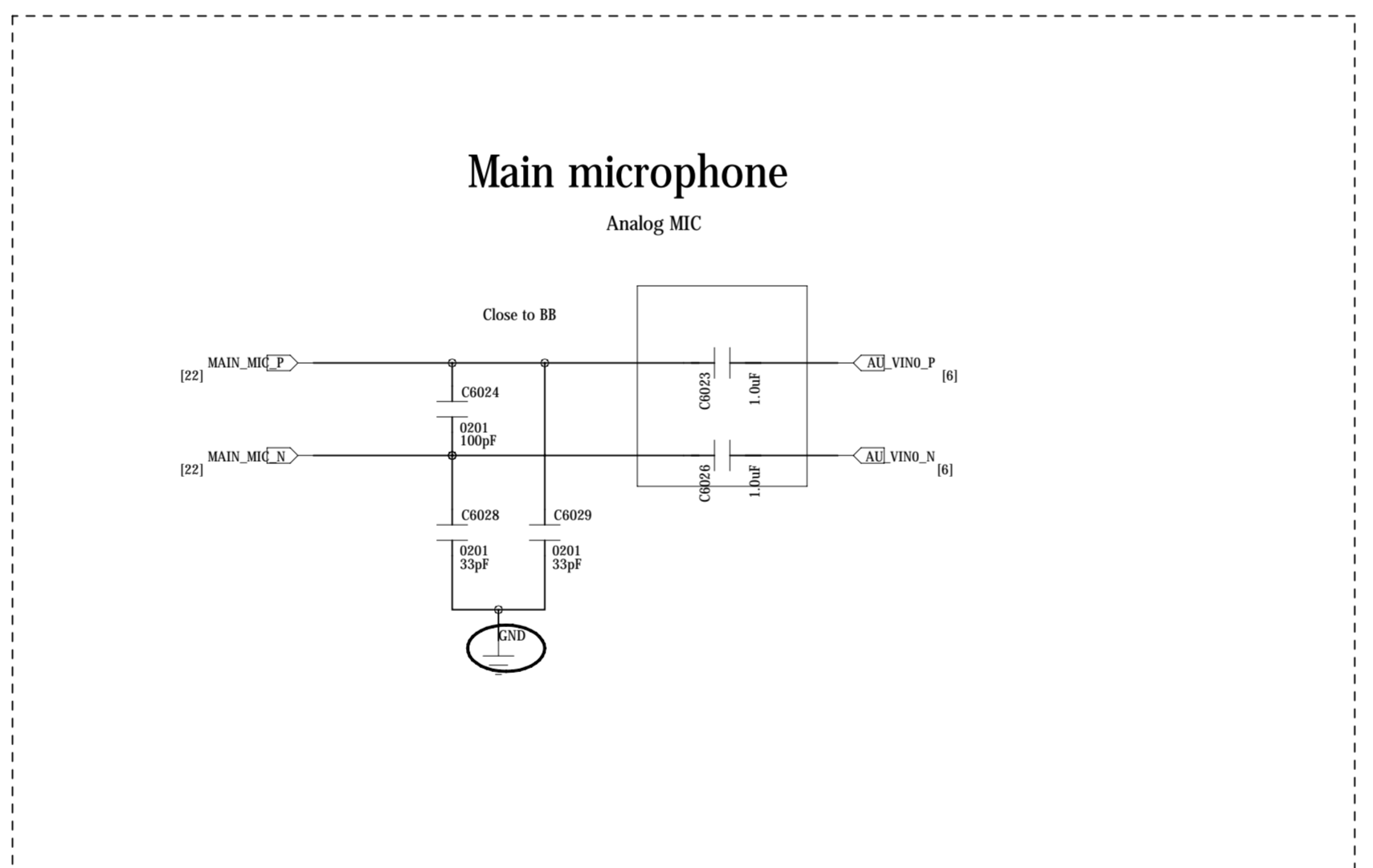
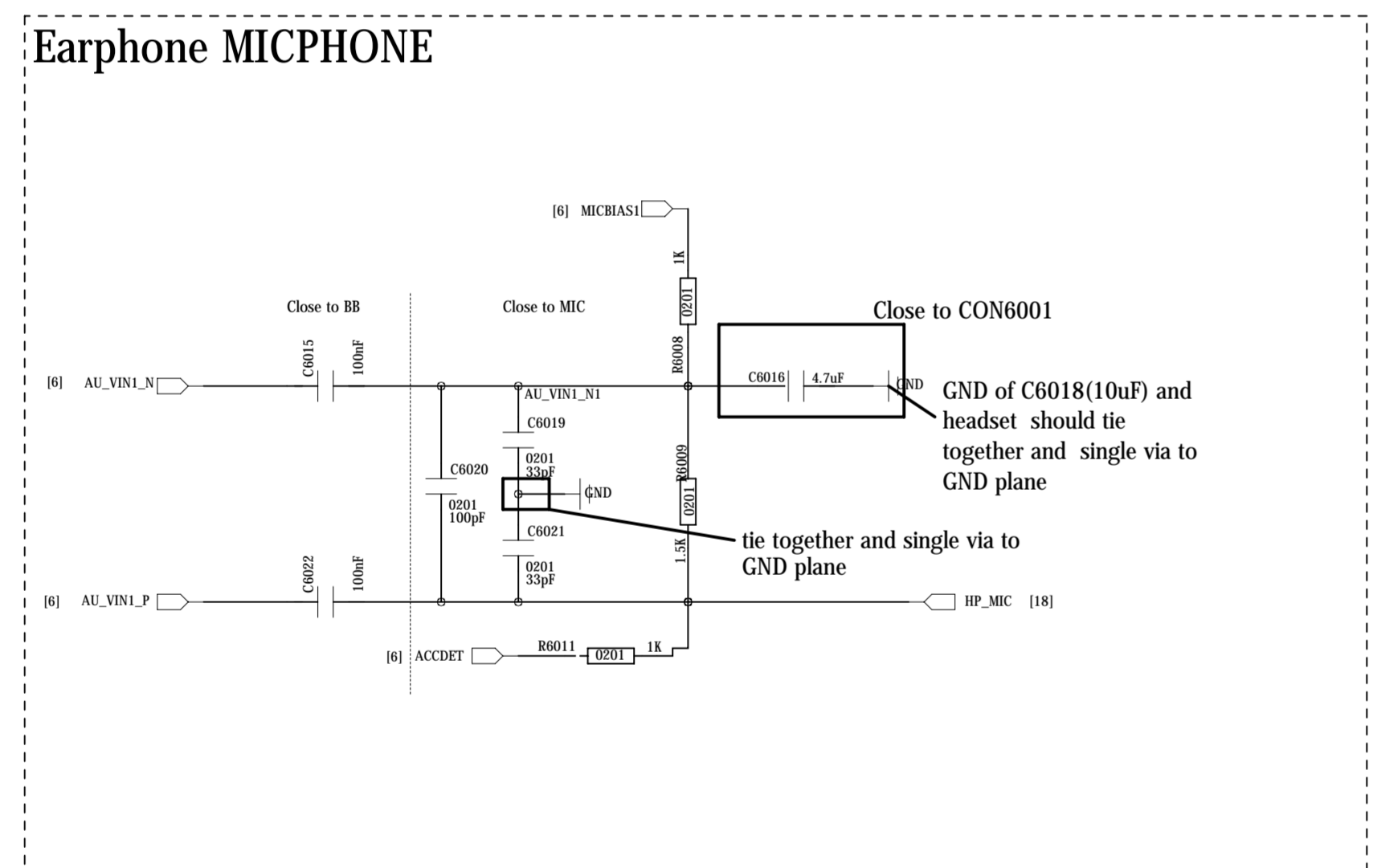
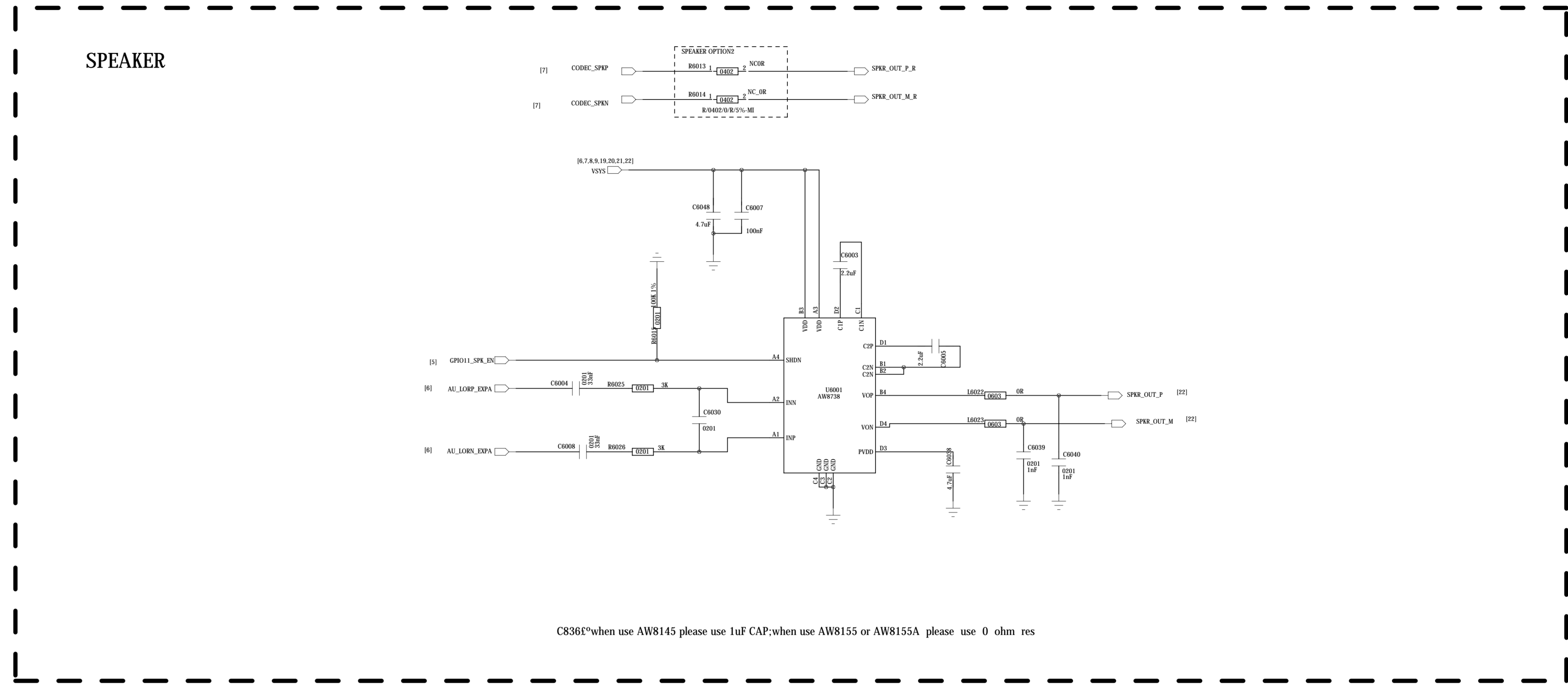
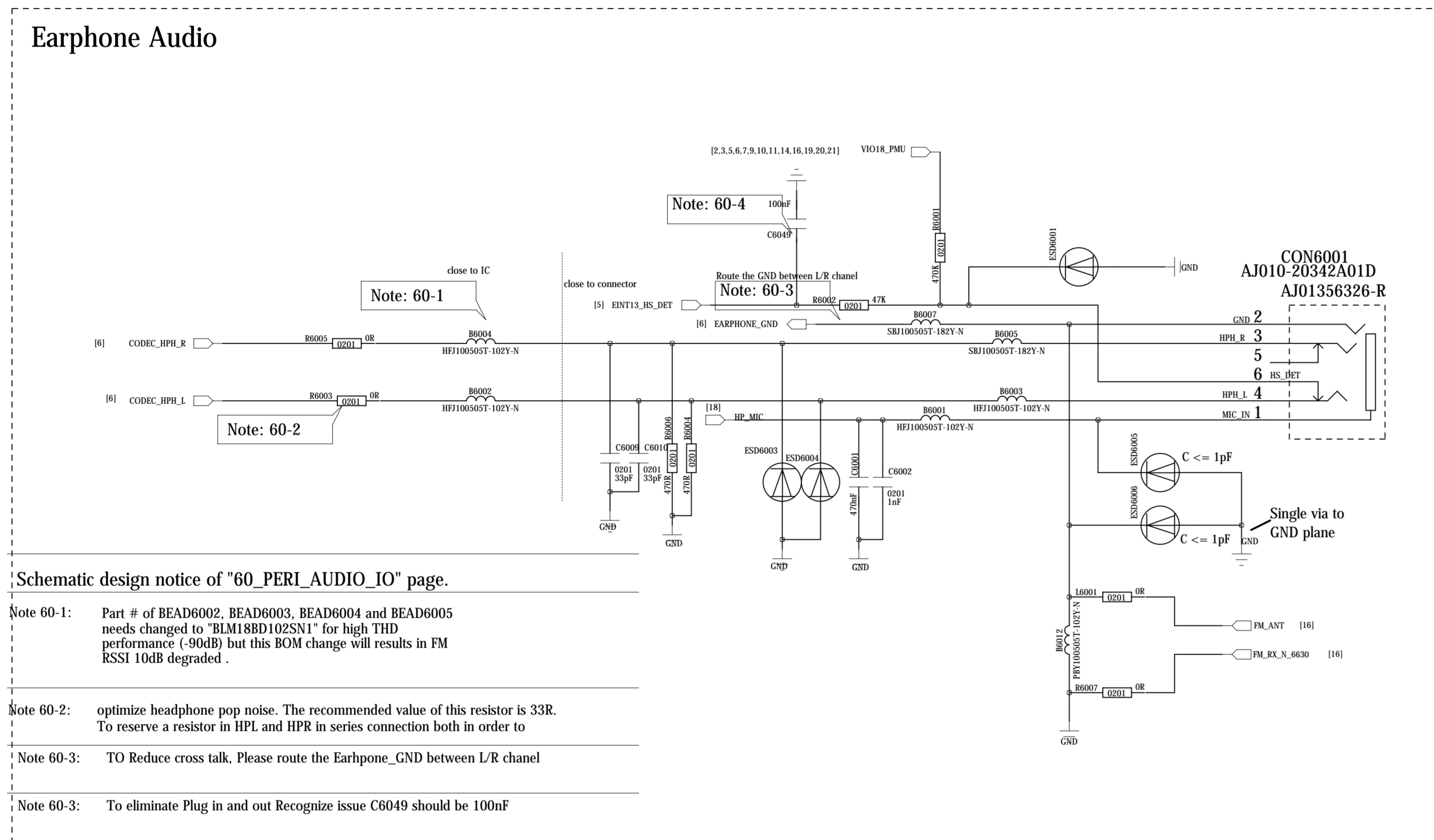
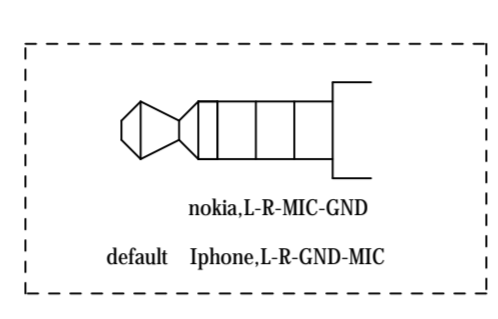
MT6630 Host Interface



OFF-PAGE_MT6630 Host Interface

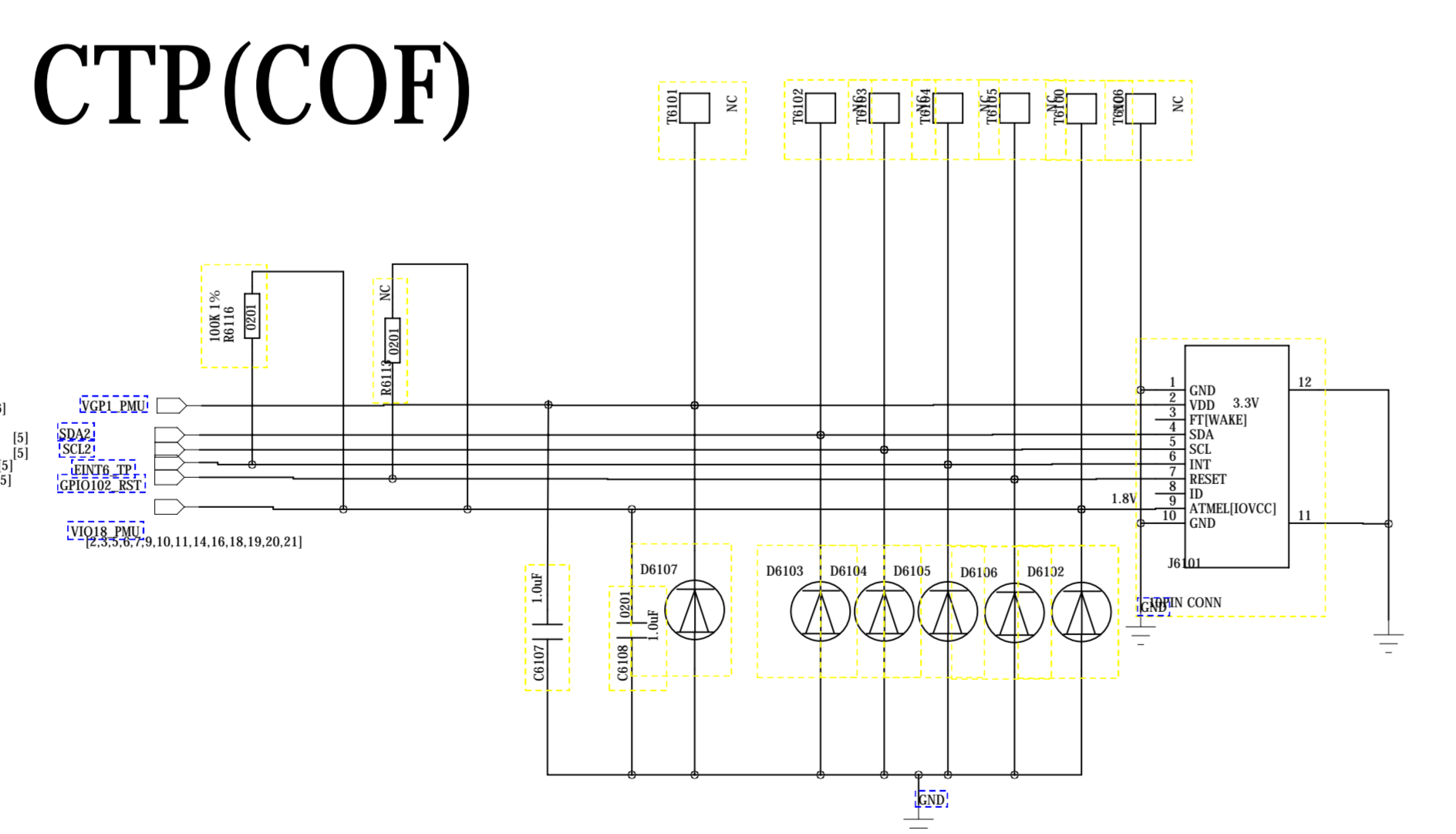
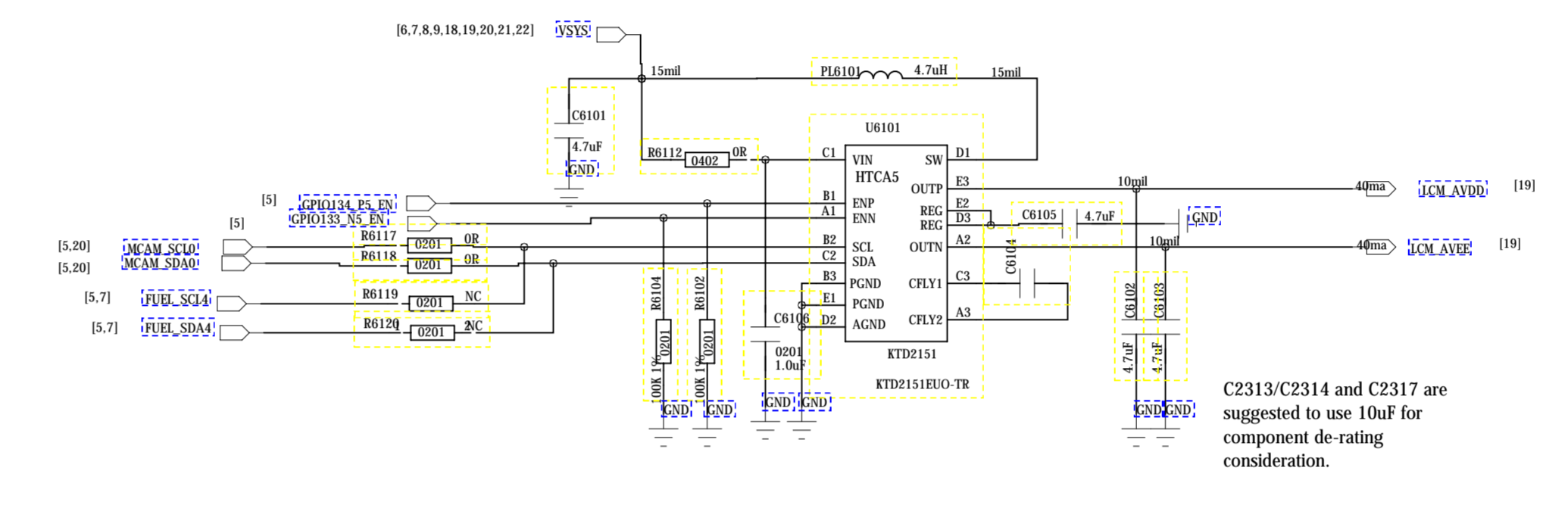
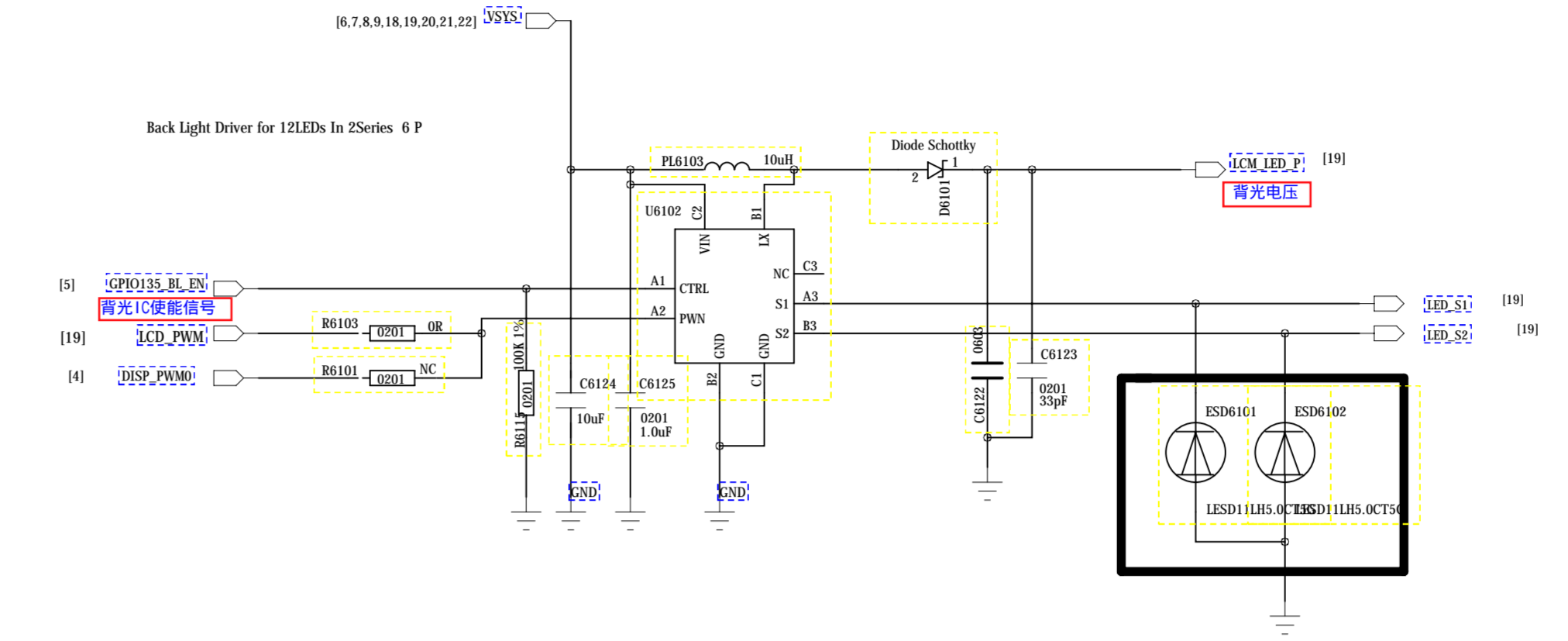
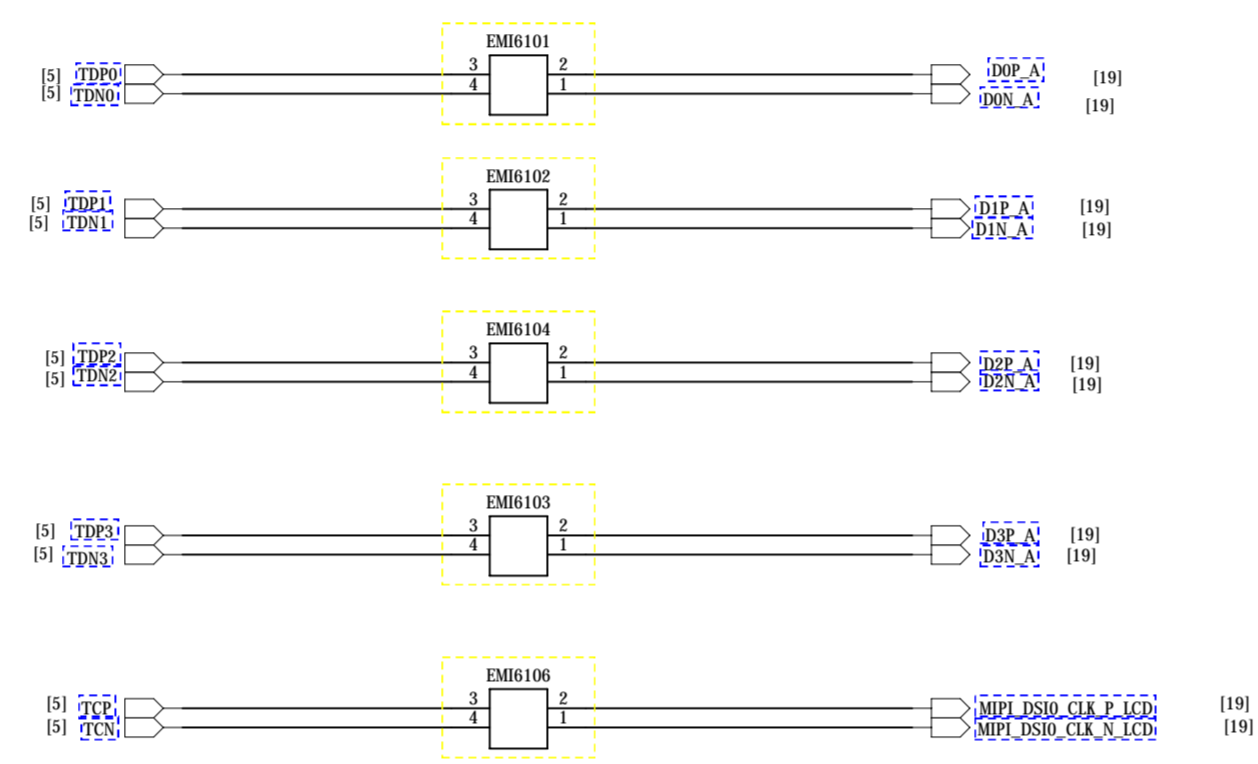
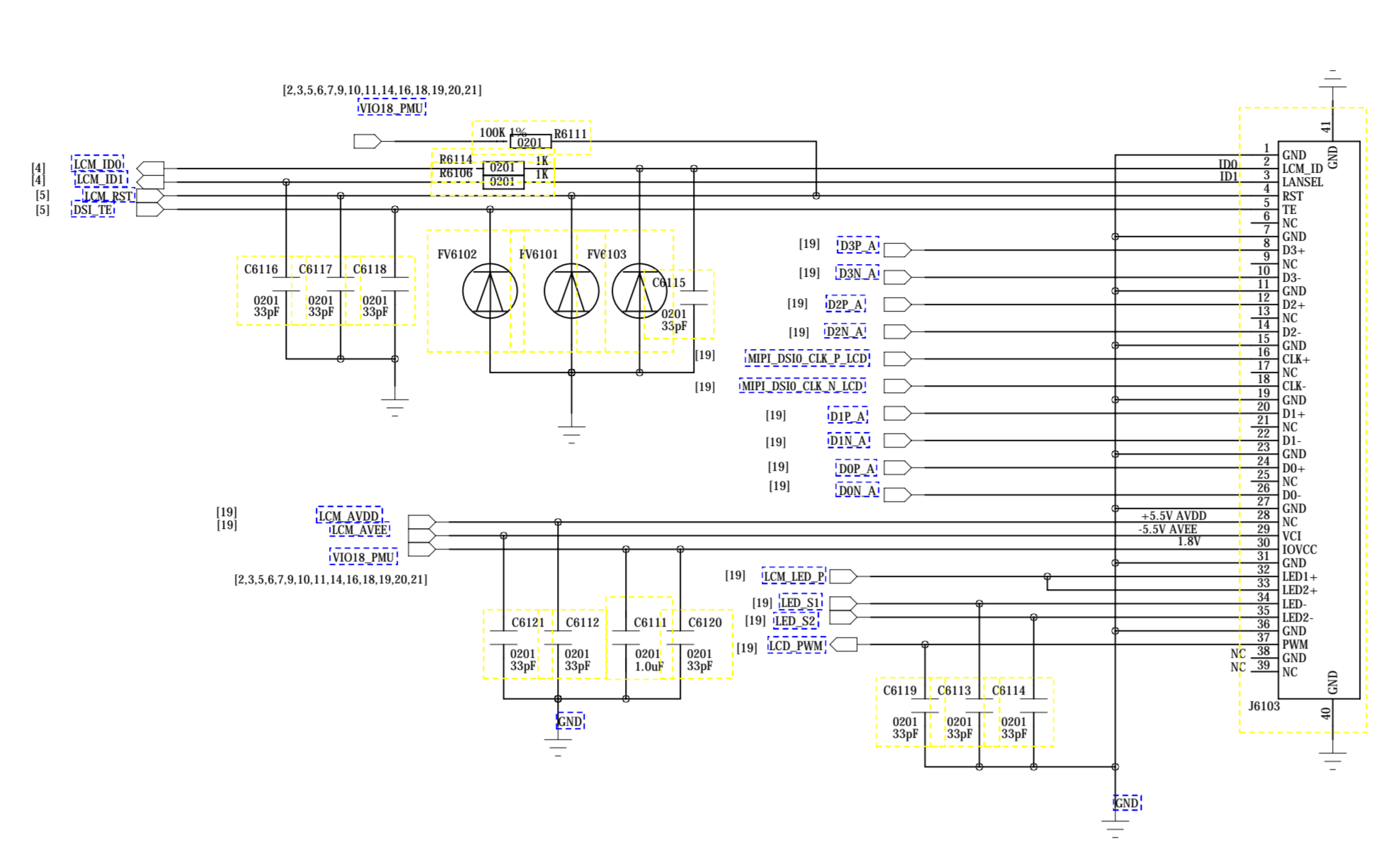


REVISION RECORD			
ITER	REV NO.	APPROVED	DATE



DRAWN: <Drawn By>		DATE: <Drawn Date>		COMPANY: <Company Name>	
CHECKED: <Checked By>		DATE: <Checked Date>		TITLE: <Title>	
QUALITY CONTROL: <QC By>		DATE: <QC Date>		CODE: <Code>	SIZE: A0
RELEASED: <Released By>		DATE: <Release Date>		DRAWING NO: <Drawing Number>	
SCALE: <Scale>		SHEET: 18		REV: 23	

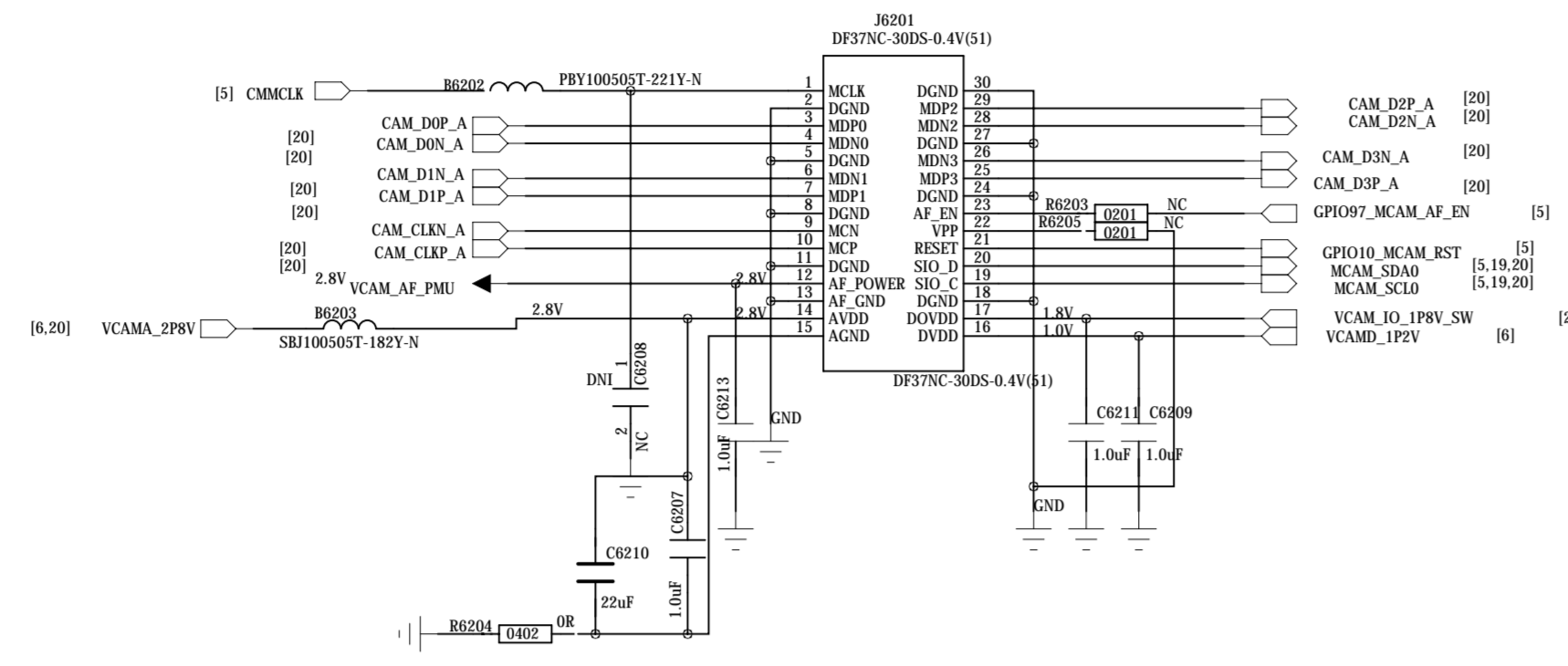
REVISION RECORD			
ITR	ECO NO.	APPROVED	DATE



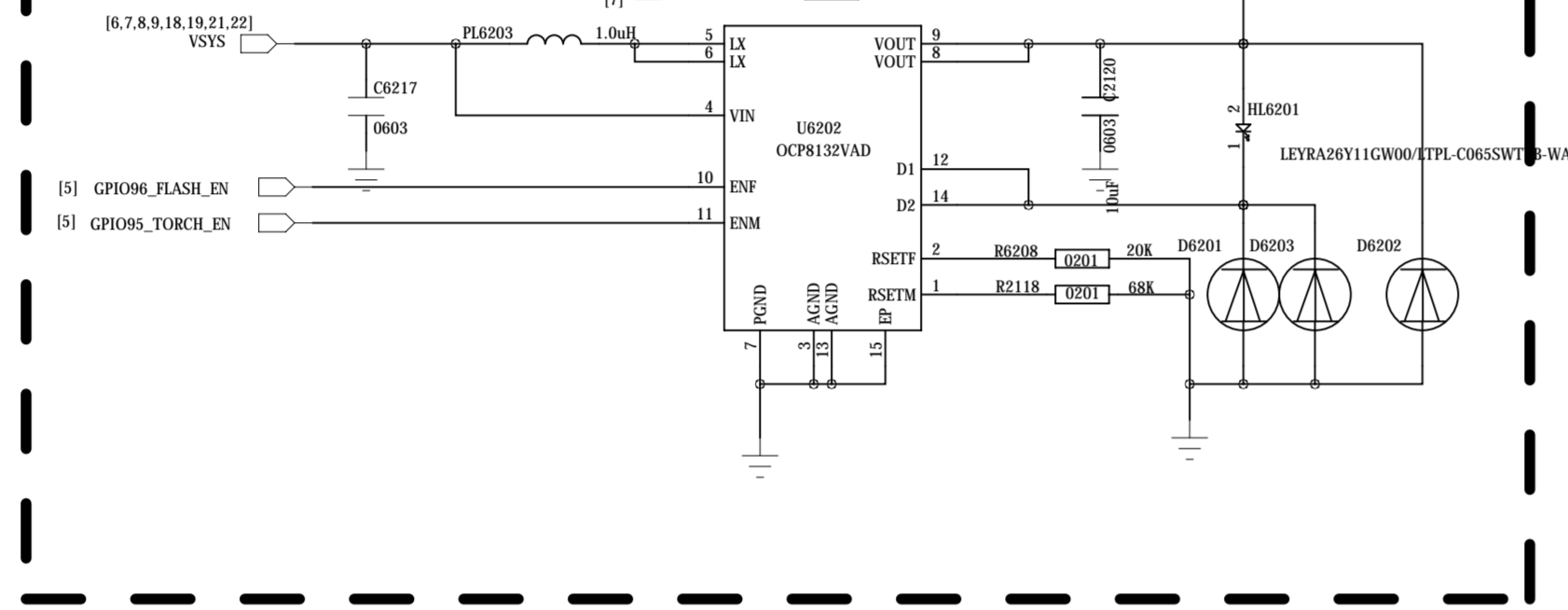
DRAWN		DATE		COMPANY	
<Drawn By>	<Drawn Date>	<Company Name>			
CHECKED		DATE		TITLE	
<Checked By>	<Checked Date>	<Title>			
QUALITY CONTROL	DATE	CODE	SIZE	DRAWING NO.	REV.
<QC By>	<QC Date>	<Code>	A0	<Drawing Number>	<Revision>
RELEASED	DATE	SCALE	<Scale>	SHEET	23
<Released By>	<Release Date>				

REVISION RECORD			
ITER	REV NO.	APPROVED	DATE

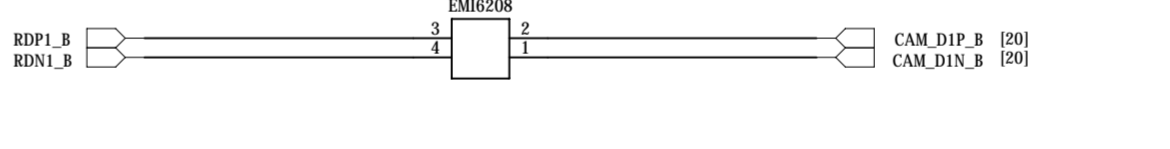
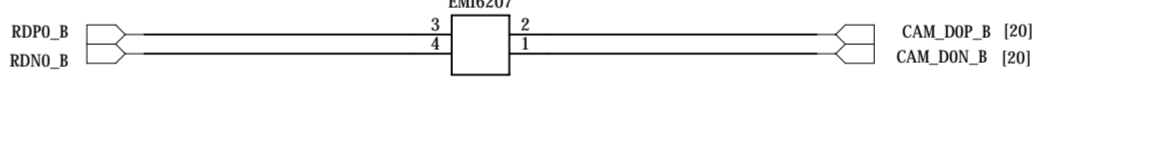
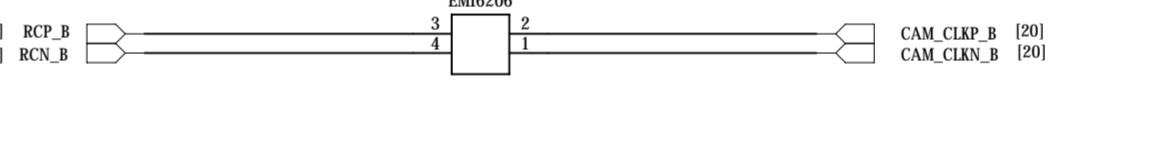
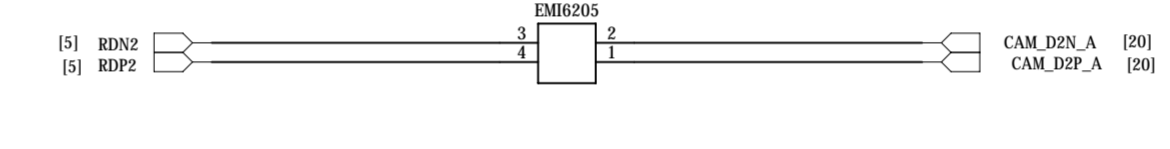
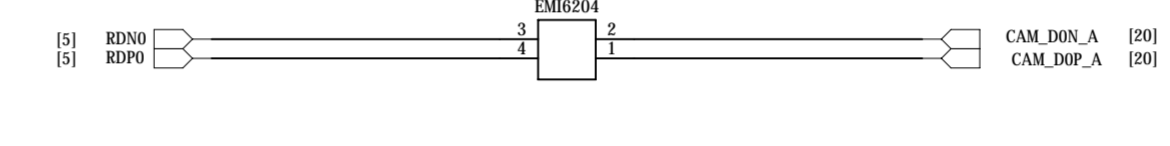
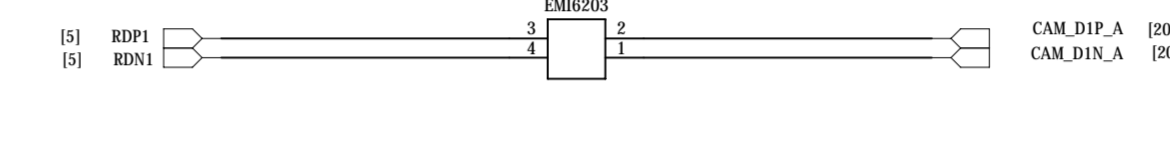
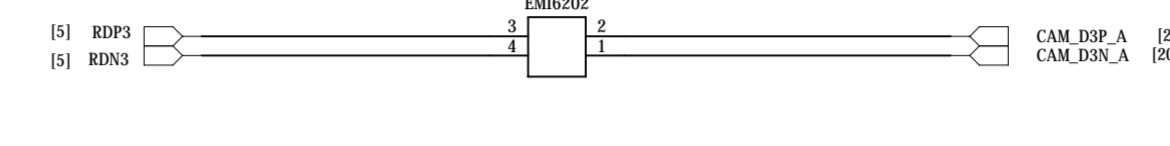
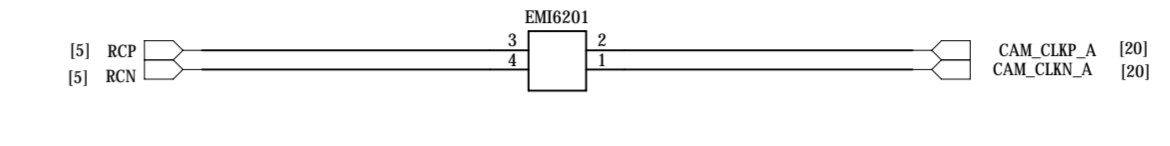
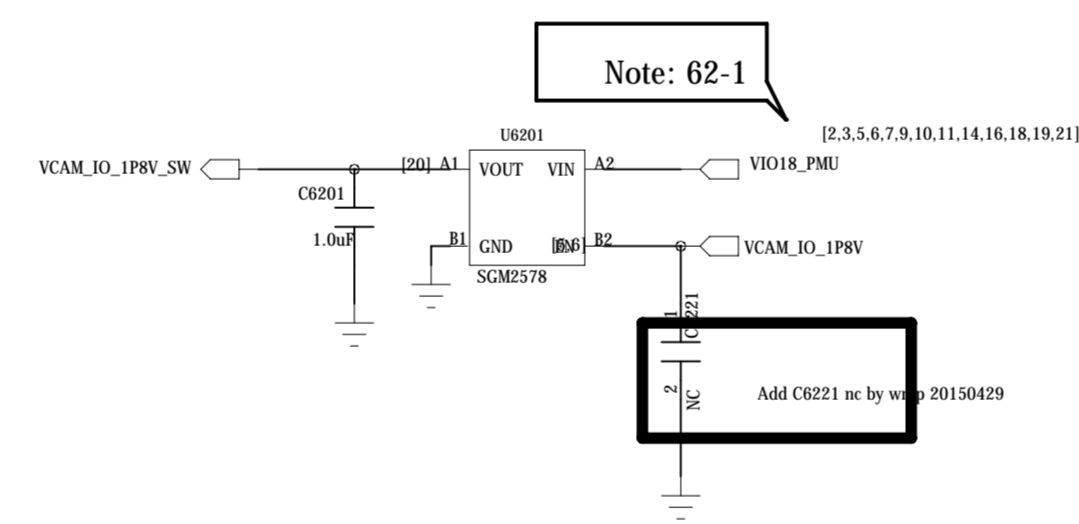
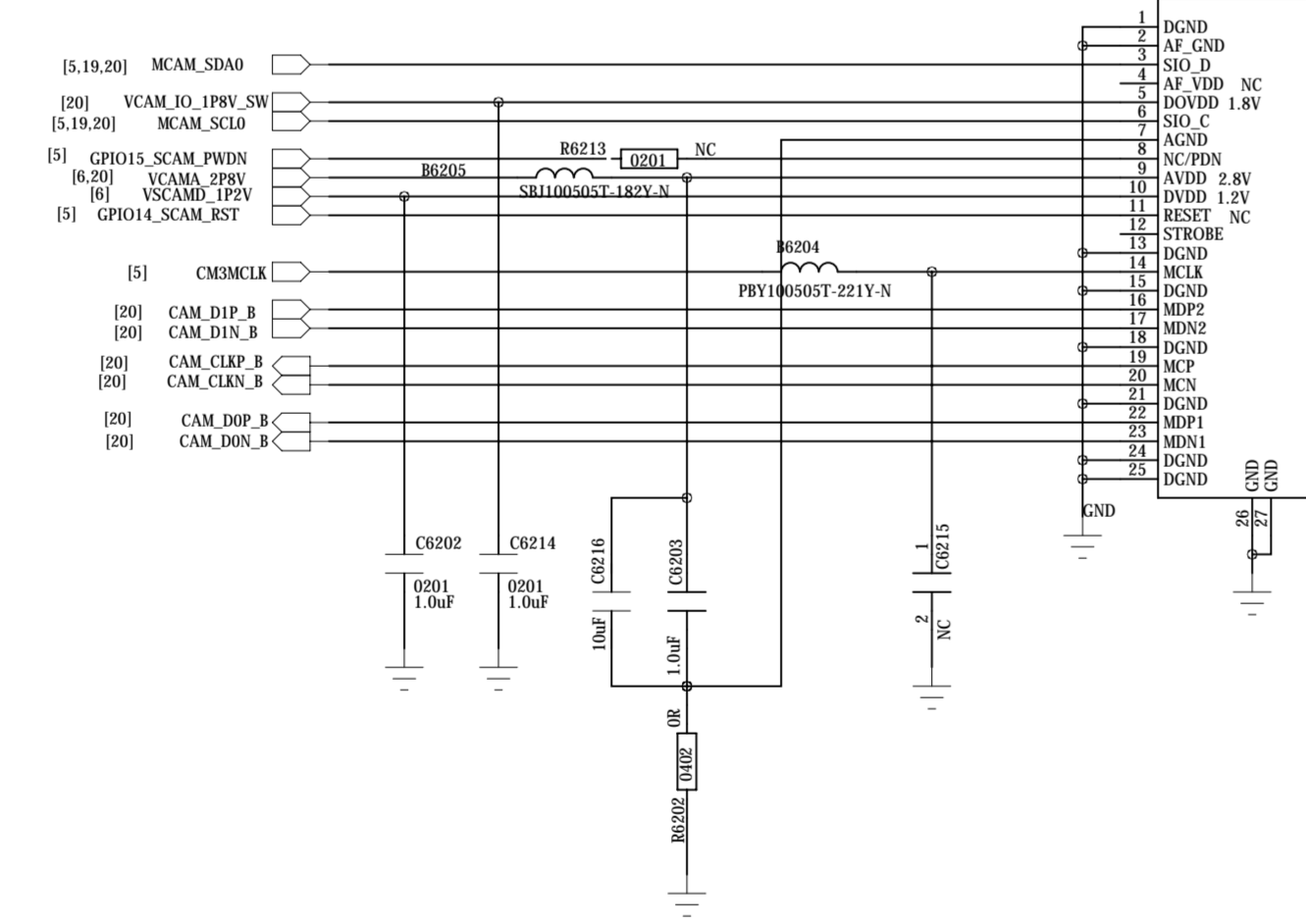
Main Camera



FLASH



sub Camera



Schematic design notice of "63_PERI_CAMERA_KEYPAD" page.

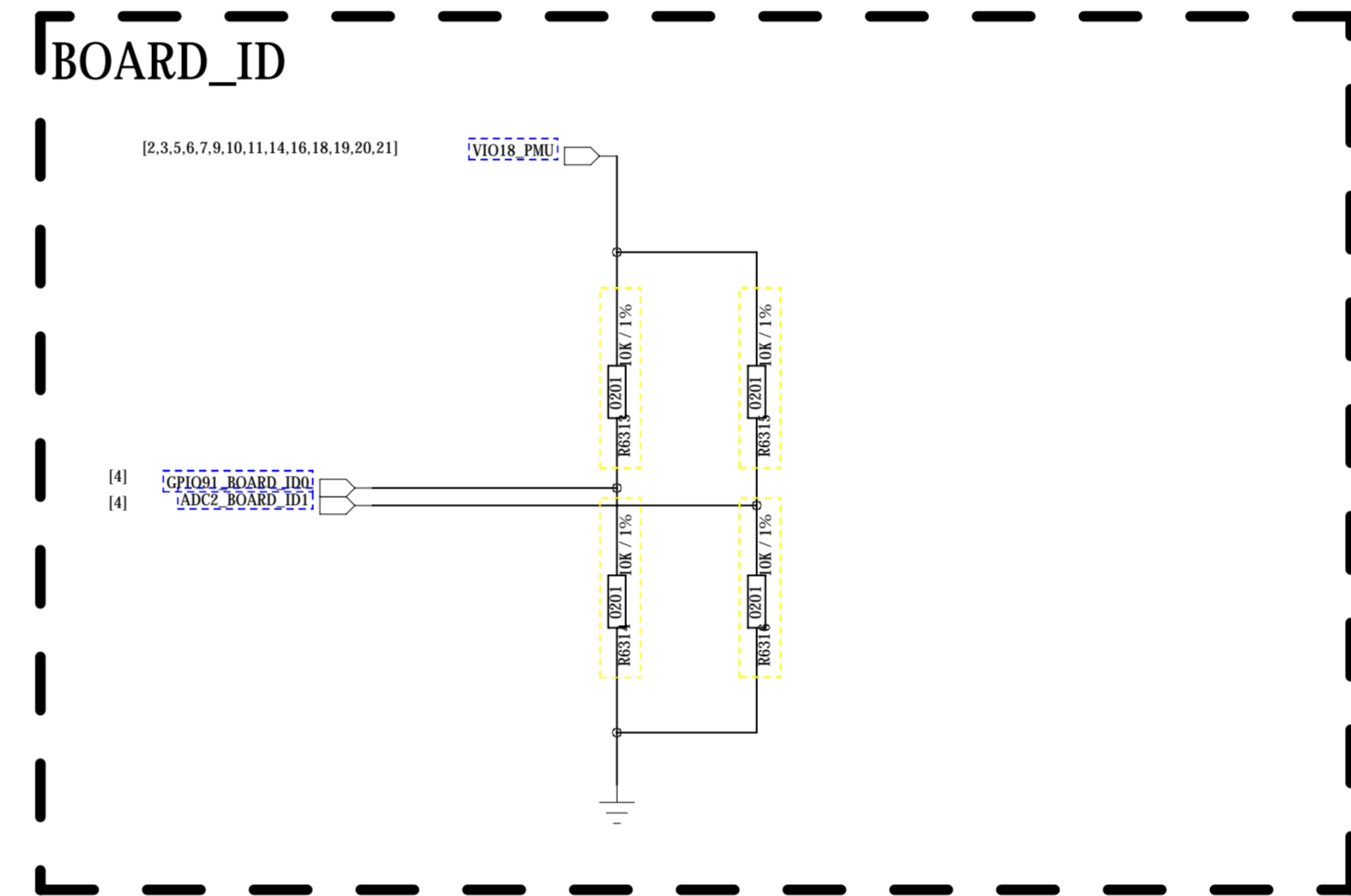
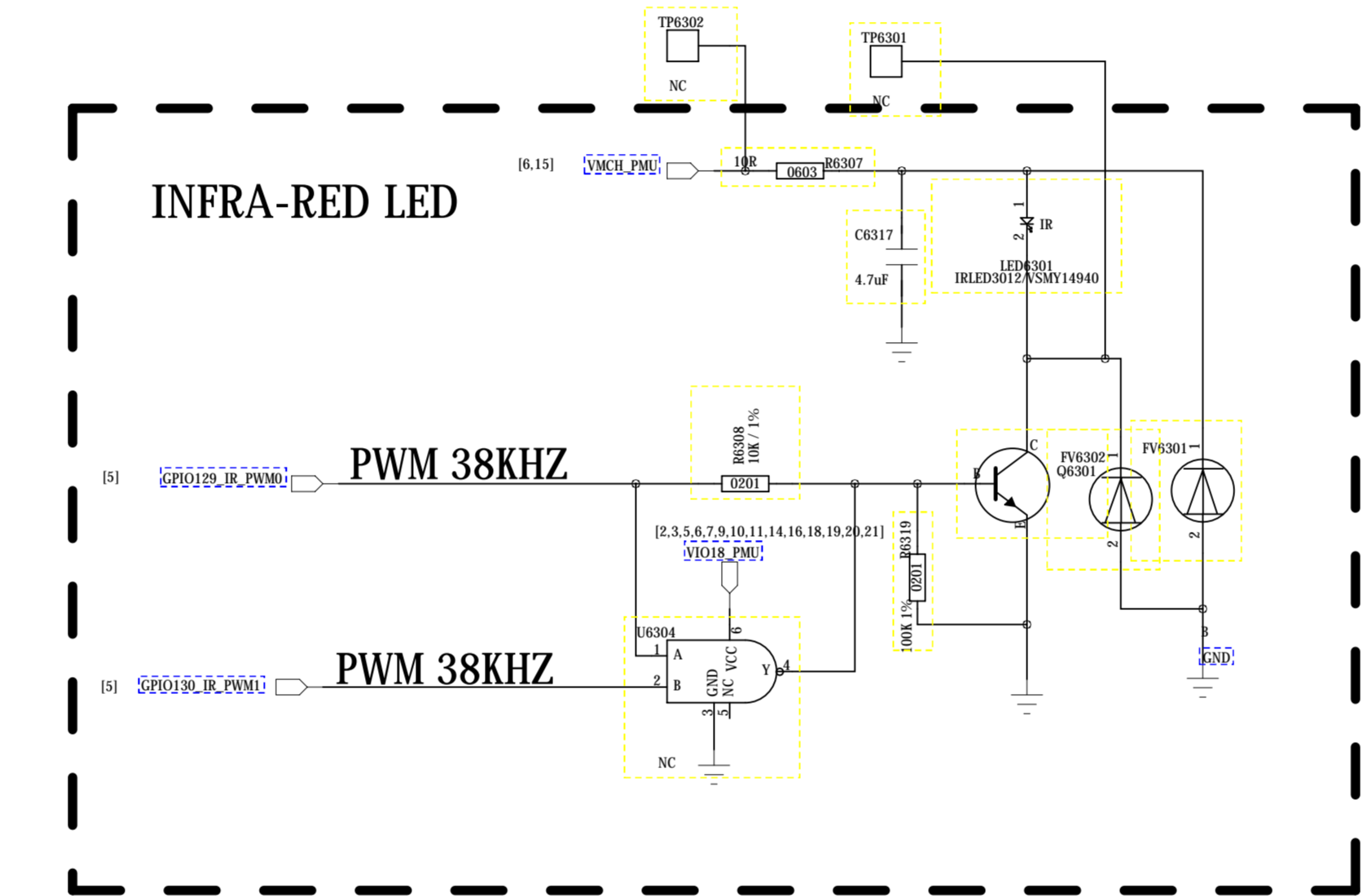
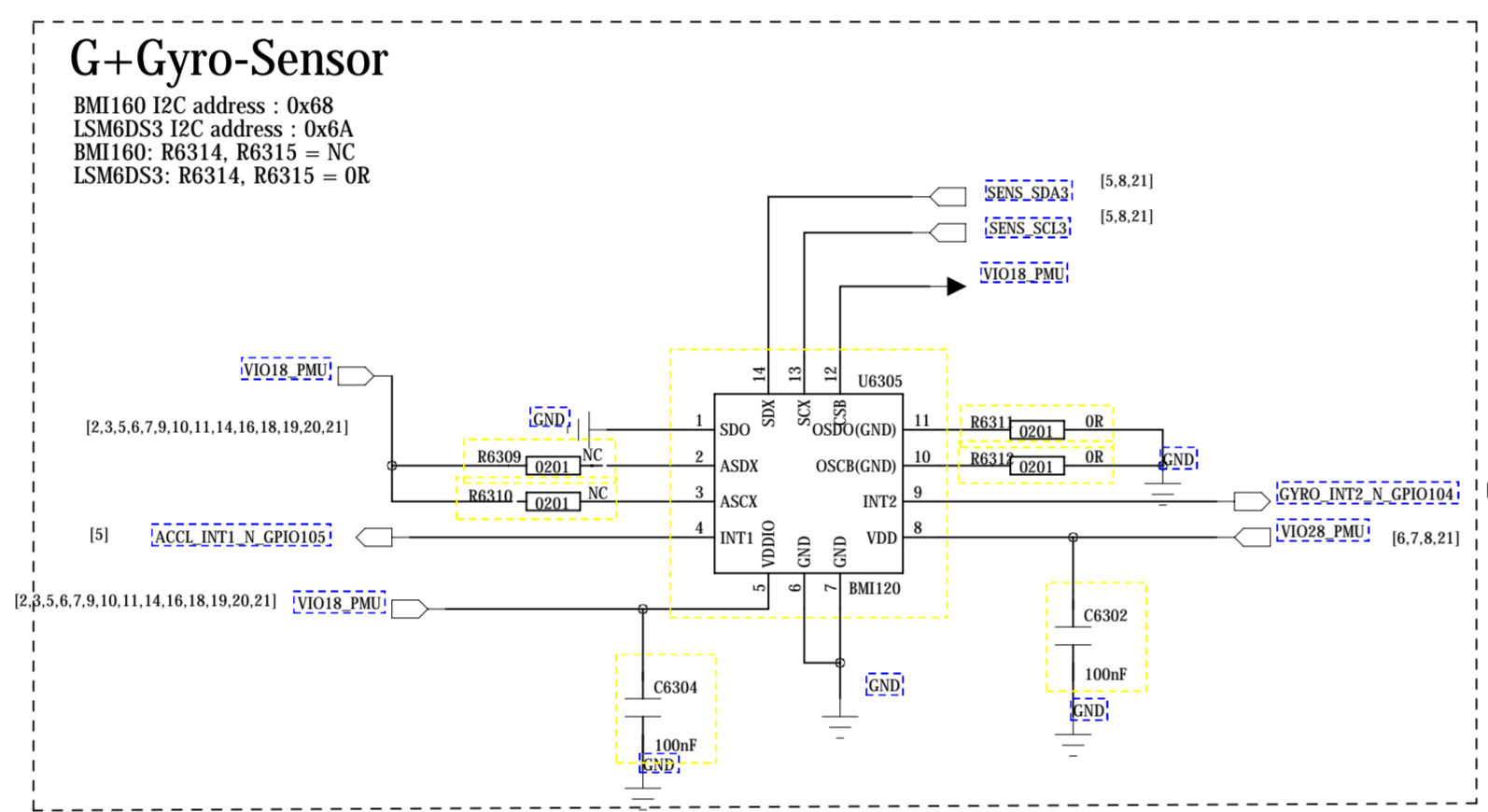
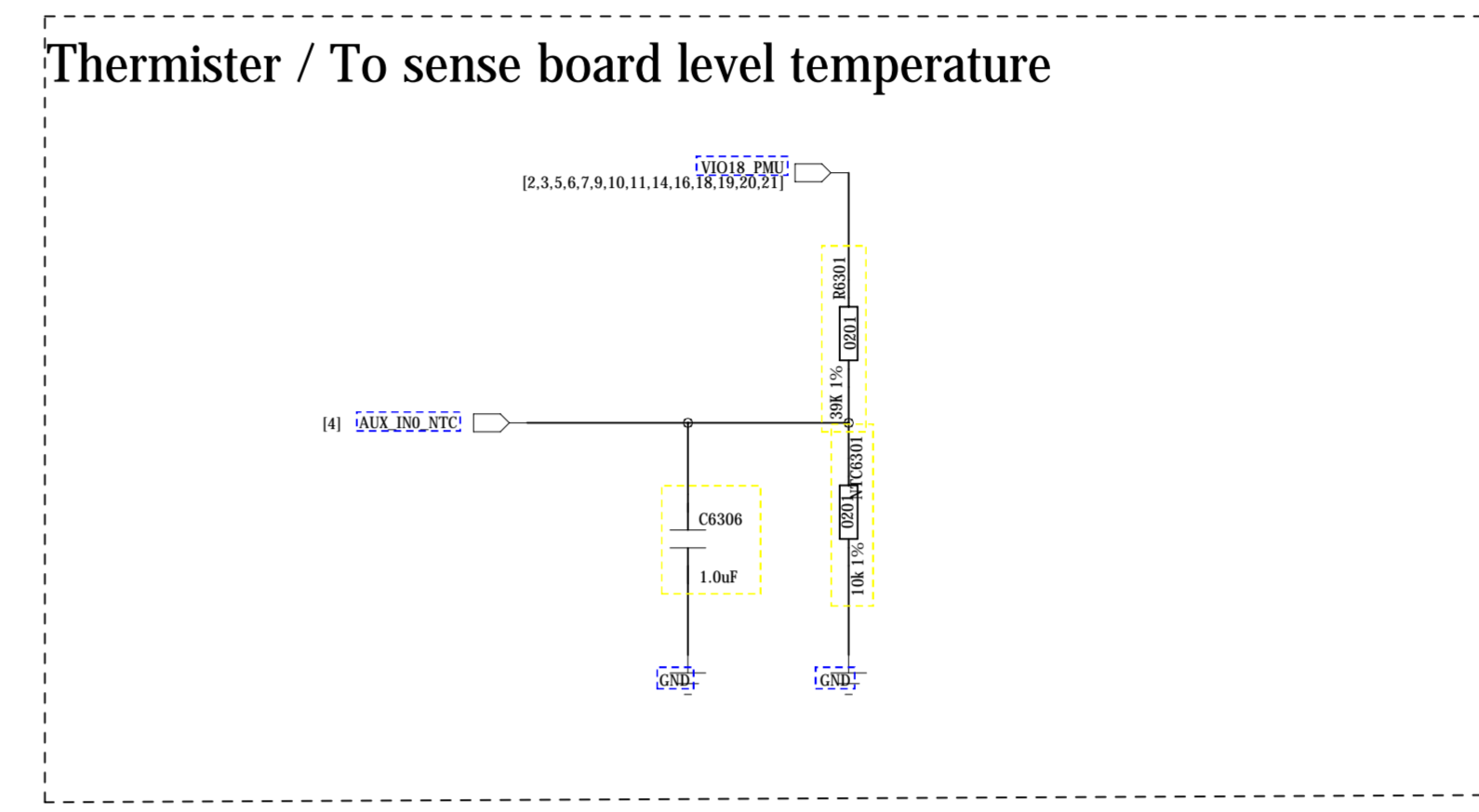
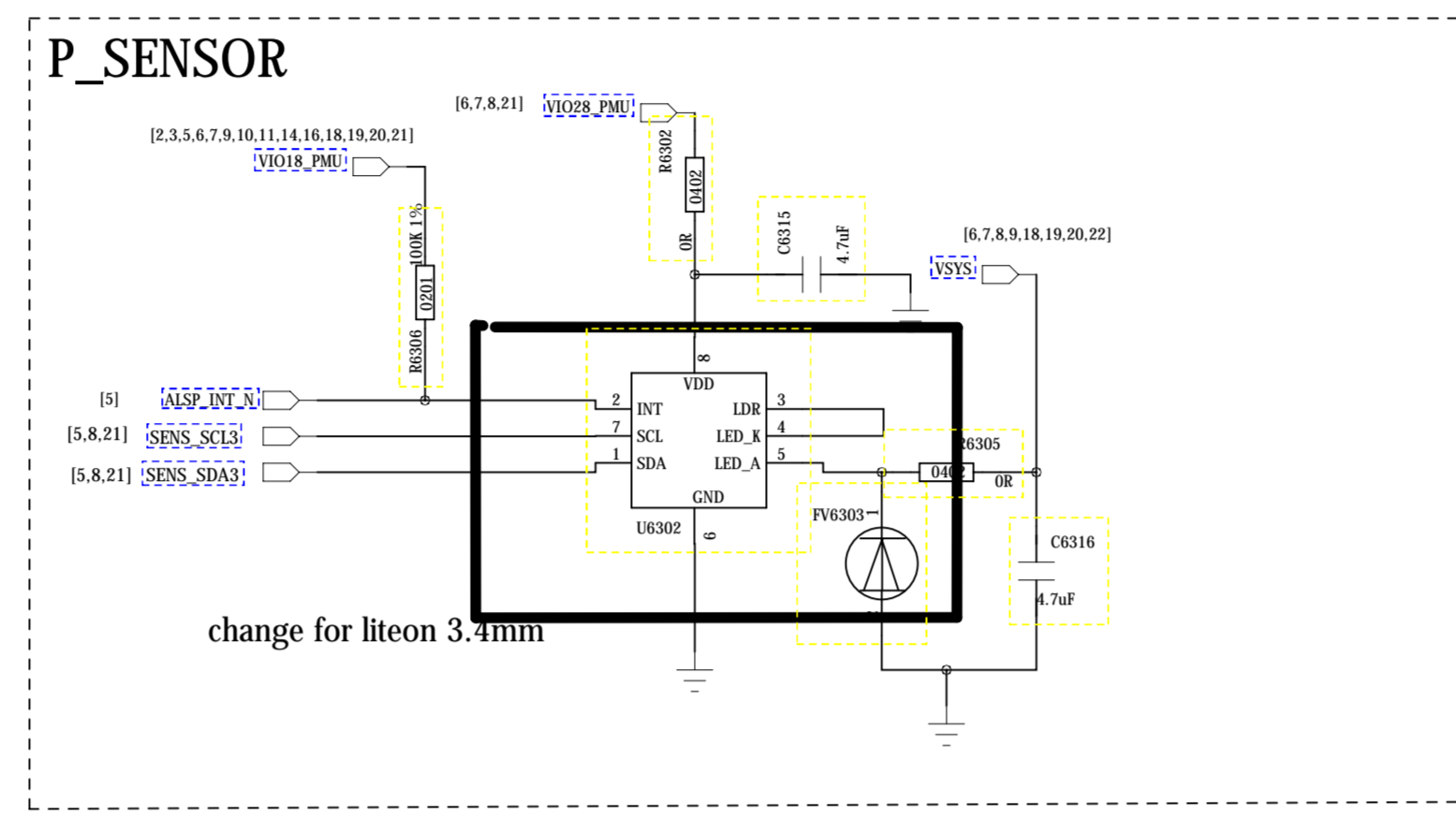
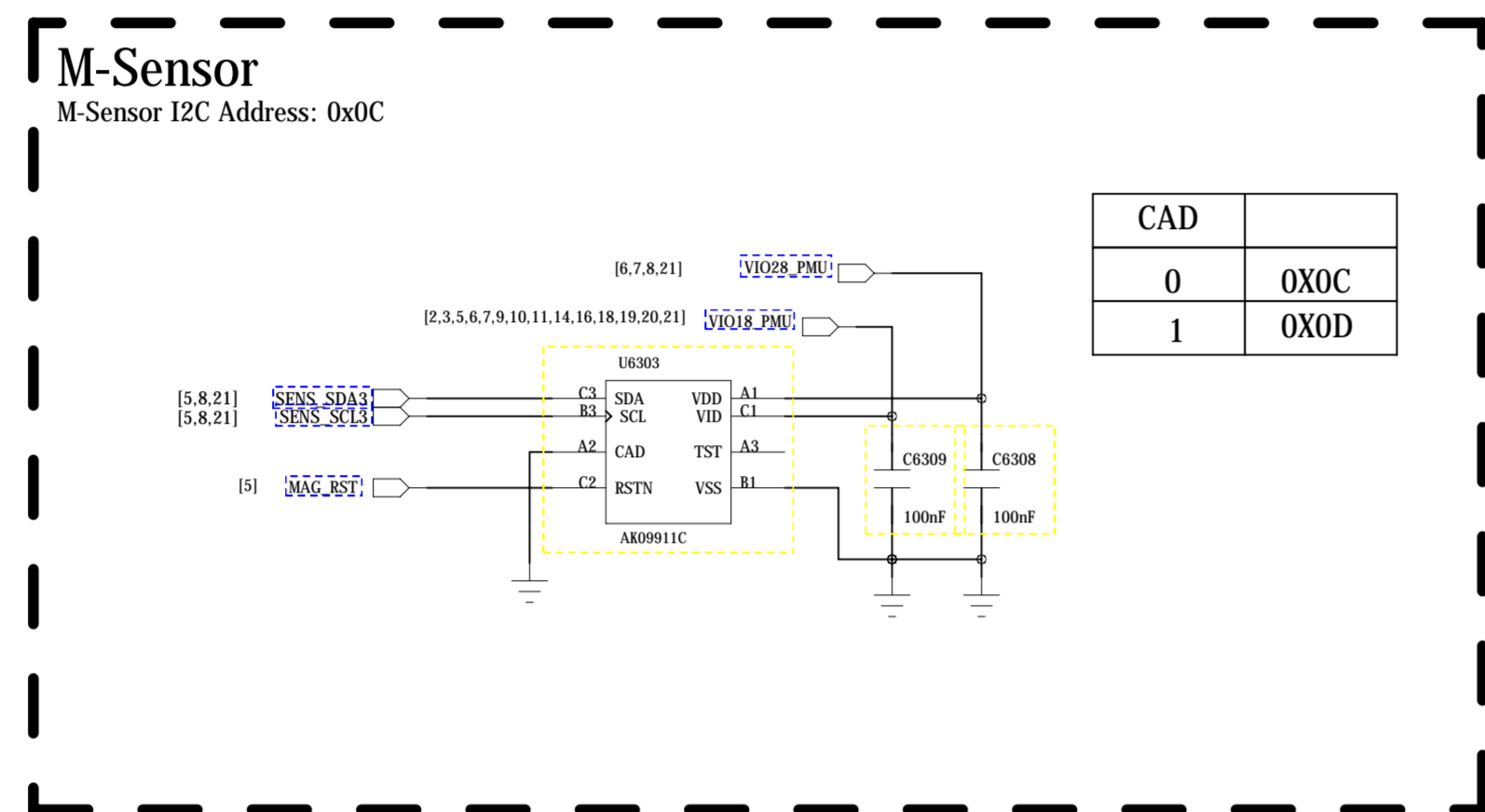
Note 62-1: The VCC of I2C_0 is pulled to "VCAM_IO_PMU".

Note 62-2: I2C control interface of front camera (with AF) must be assigned to I2C-2 bus when PIP/VIW feature is supported.

Note 62-3: Reserve a capacitor (27pF) on camera's MCLK and shunt it to GND to prevent GPS de-sense.

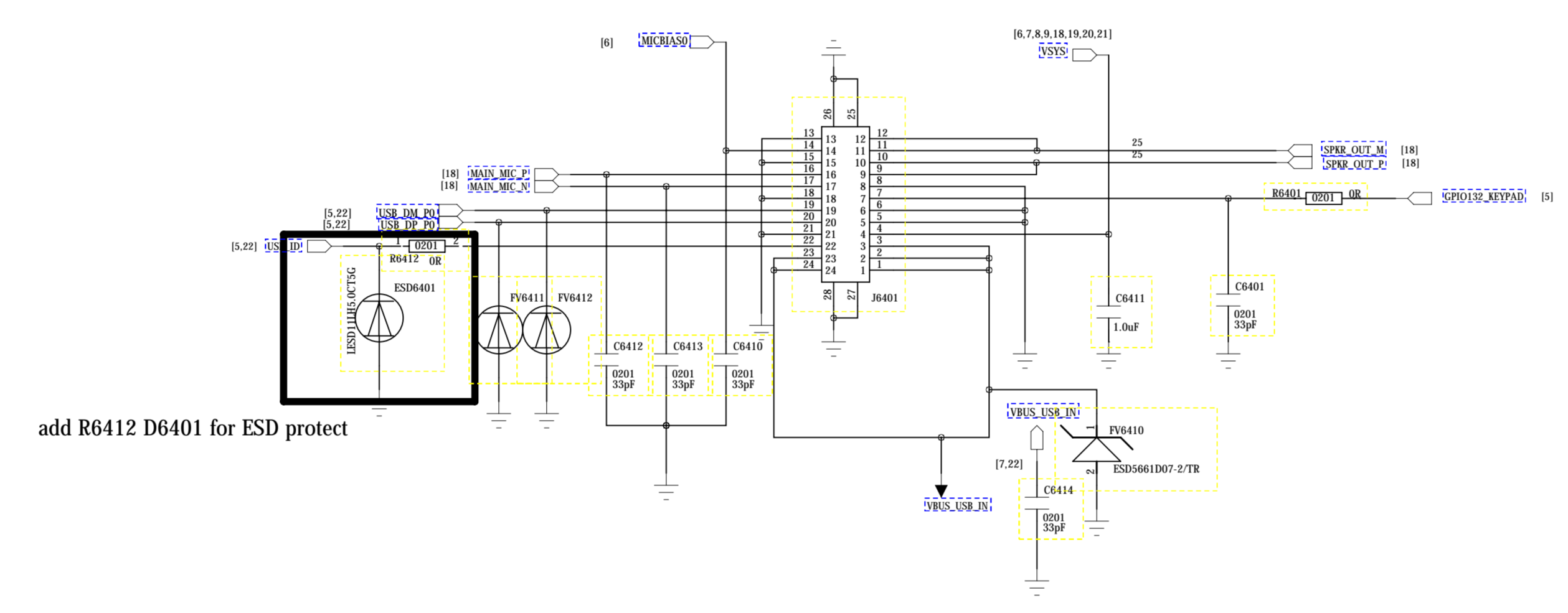
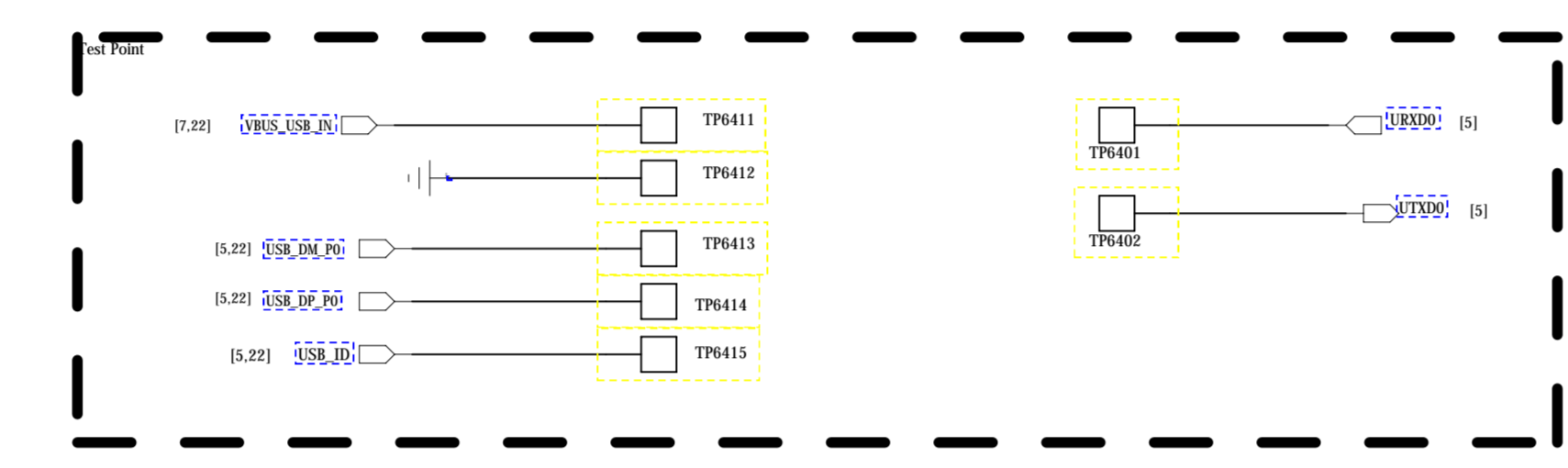
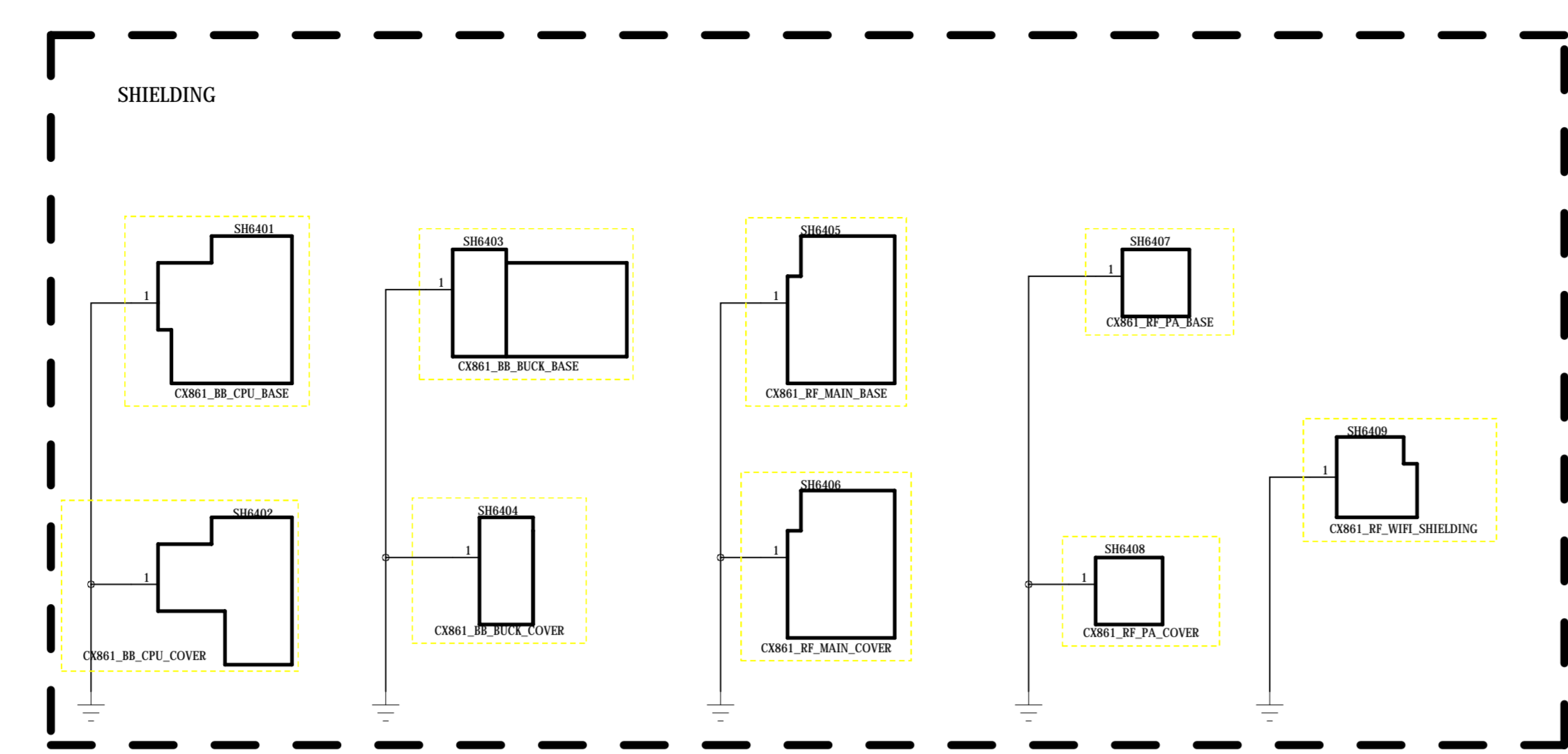
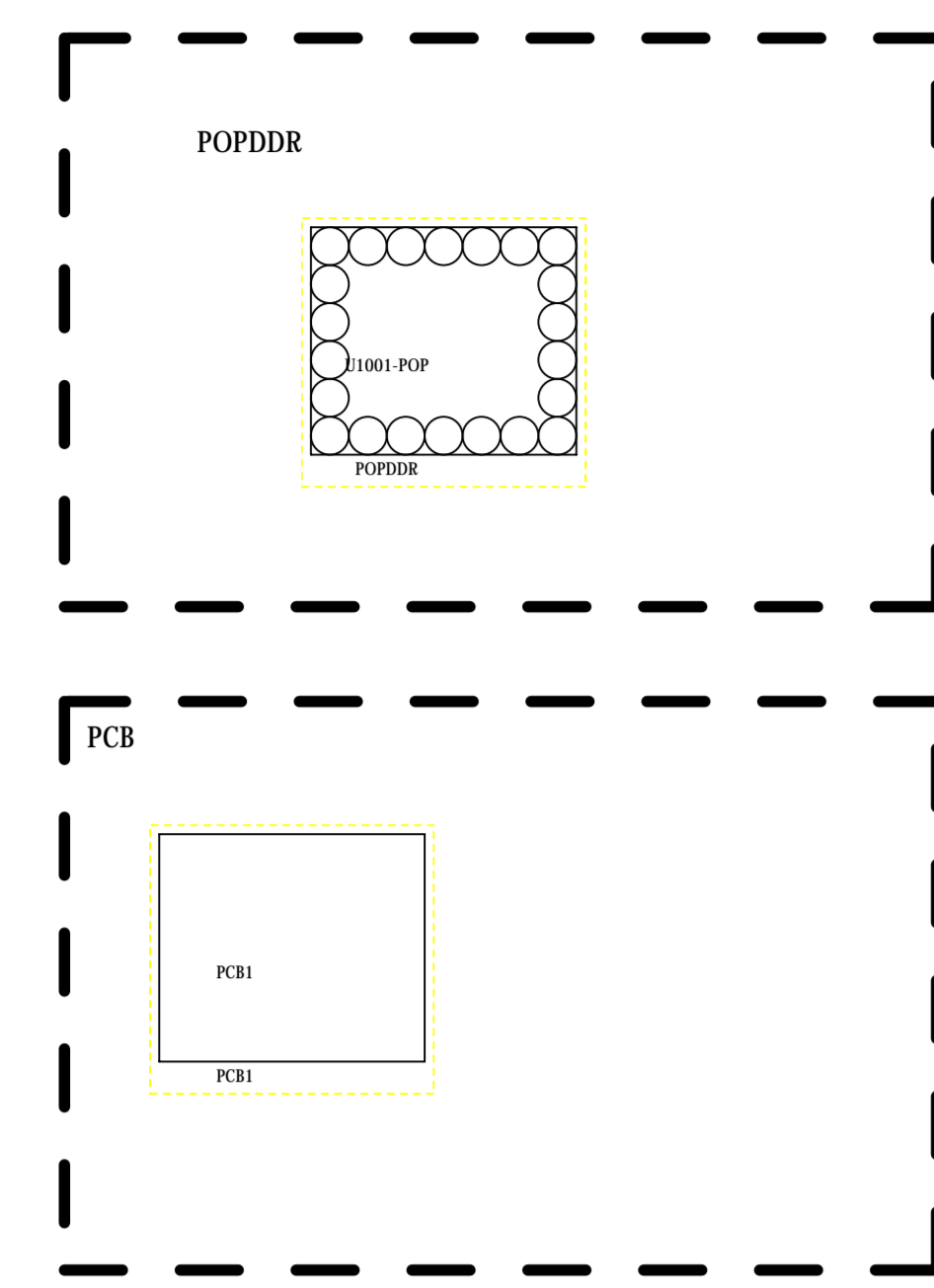
COMPANY: <Company Name>		TITLE: <Title>	
DESIGN: <Drawn By>	DATE: <Drawn Date>	CODE:	SIZE:
DESIGN: <Checked By>	DATE: <Checked Date>	DRAWING NO.	
QUALITY CONTROL: <QC By>	DATE: <QC Date>	REV: <Code> A0 <Drawing Number> <Revision>	
RELEASED: <Released By>	DATE: <Release Date>	SCALE: <Scale>	SHEET: 20 / 23

REVISION RECORD			
LT#	ECO NO.	APPROVED	DATE



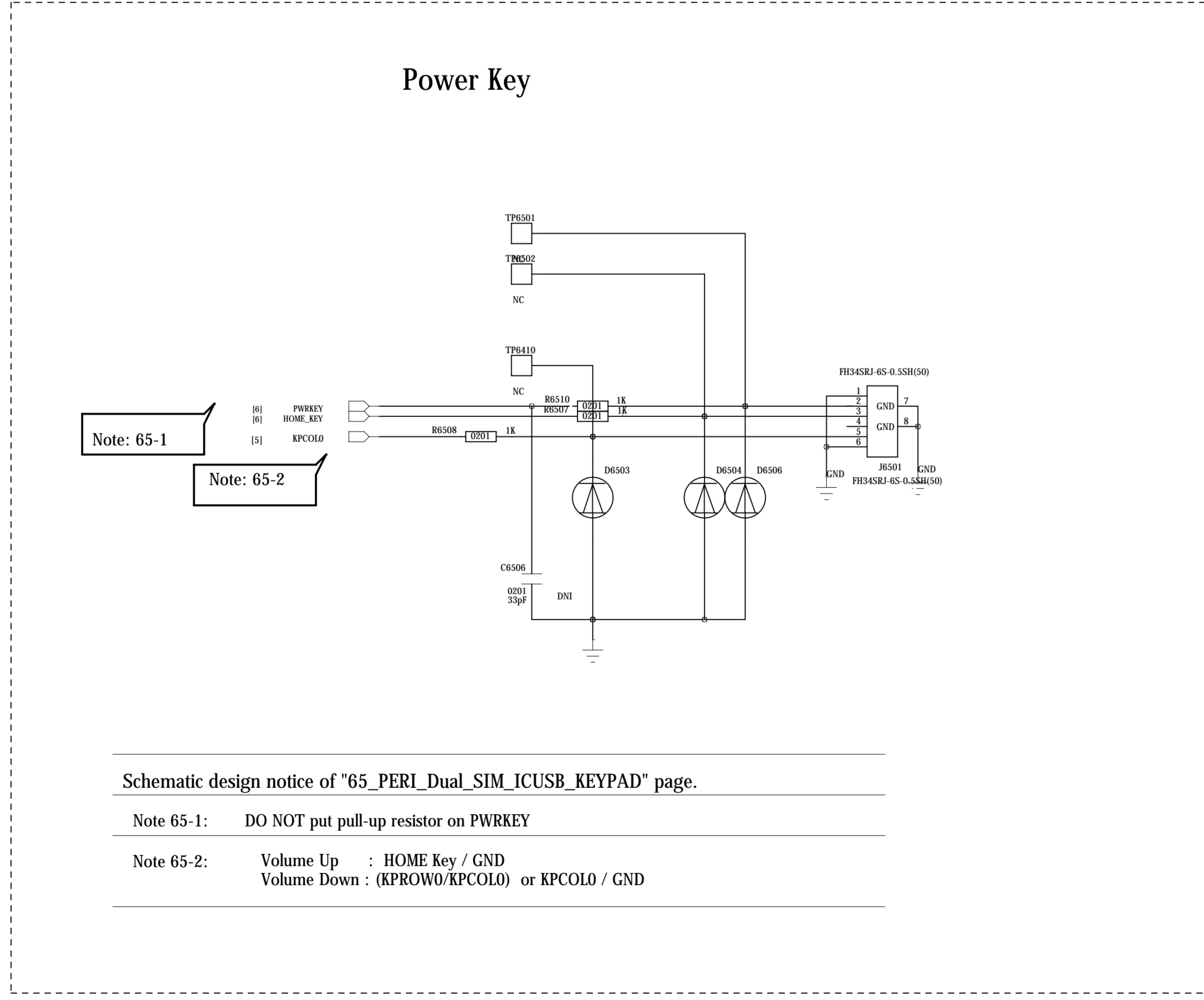
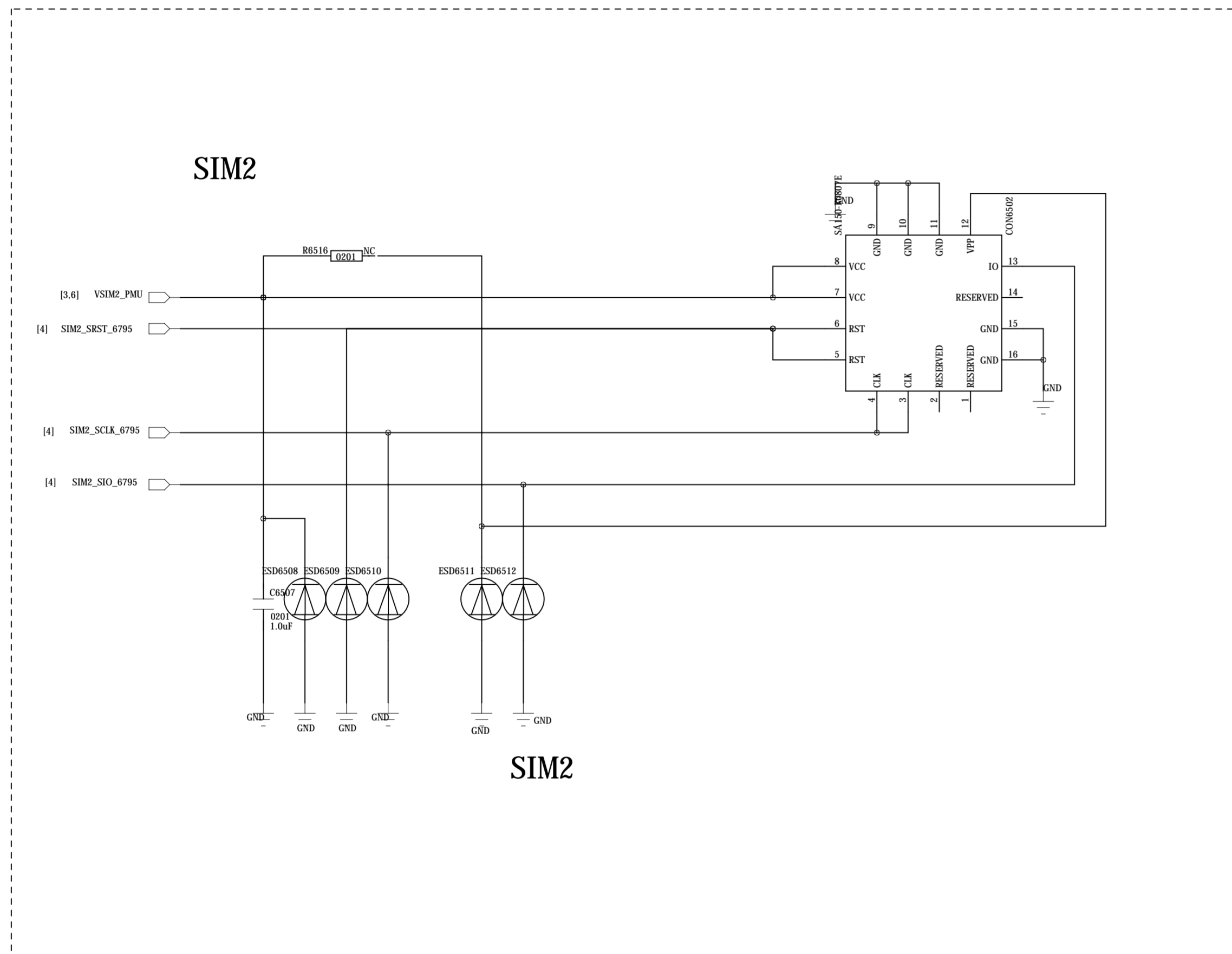
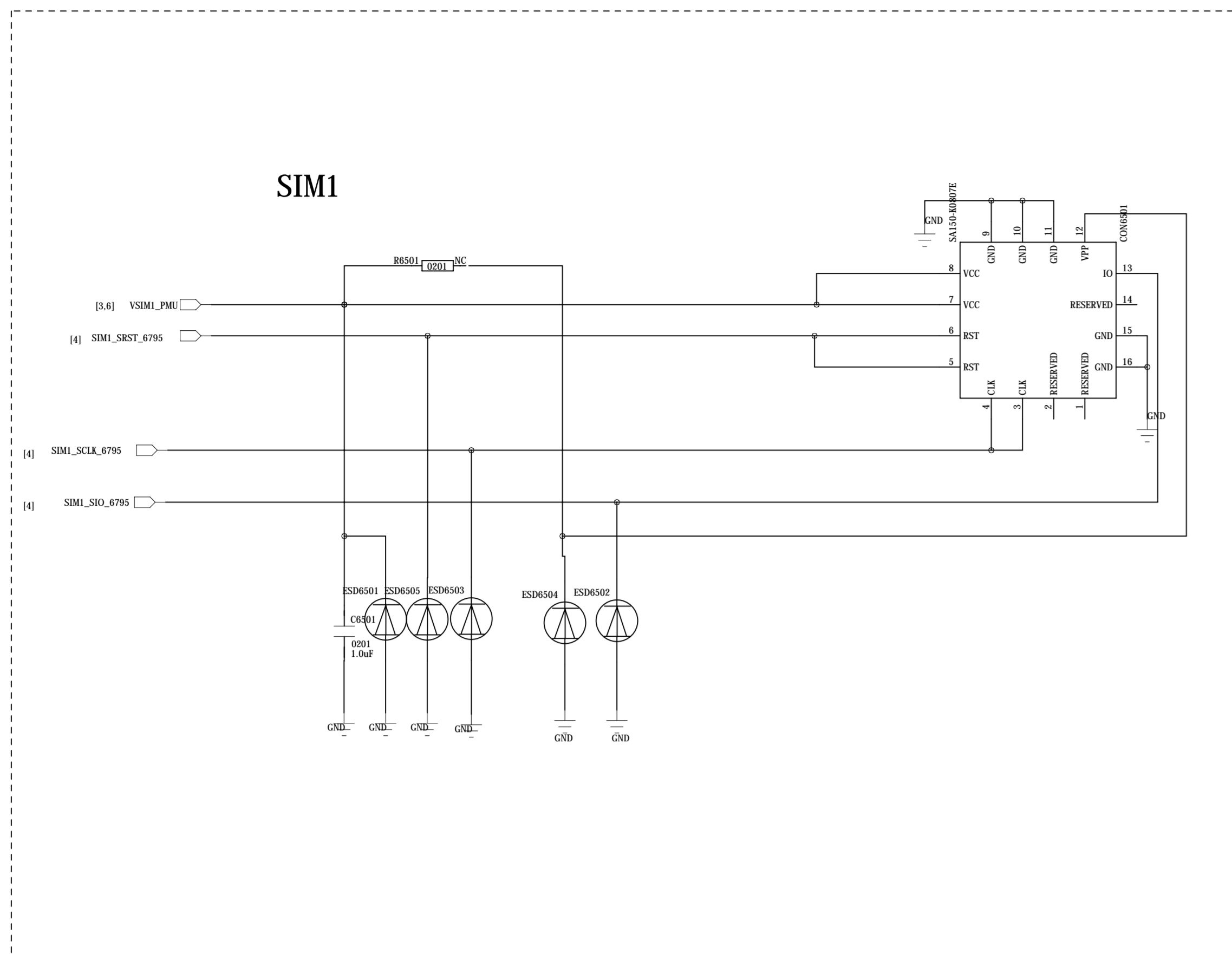
DRAWN: <Drawn By>		DATE: <Drawn Date>		COMPANY: <Company Name>			
CHECKED: <Checked By>		DATE: <Checked Date>		TITLE: <Title>			
QUALITY CONTROL: <QC By>	DATE: <QC Date>	CODE: <Code>	SIZE: <Size>	DRAWING NO.:	REV:	A0 <Drawing Number> <Revision>	
RELEASED: <Released By>	DATE: <Release Date>	SCALE: <Scale>	SHEET: 04		23		

REVISION RECORD			
ITR	ECO NO.	APPROVED	DATE



DRAWN: <Drawn By>		DATE: <Drawn Date>		COMPANY: <Company Name>	
CHECKED: <Checked By>		DATE: <Checked Date>		TITLE: <Title>	
QUALITY CONTROL: <QC By>		DATE: <QC Date>		CODE: <Code>	SIZE: A0
RELEASED: <Released By>		DATE: <Release Date>		DRAWING NO: <Drawing Number> REVISION: <Revision>	
SCALE: <Scale>		SHEET: 22		23	

REVISION RECORD			
ITW	REV NO.	APPROVED	DATE



Schematic design notice of "65_PERL_Dual_SIM_ICUSB_KEYPAD" page.

Note 65-1: DO NOT put pull-up resistor on PWRKEY

Note 65-2: Volume Up : HOME Key / GND
Volume Down : (KPROW/KPCOLO) or KPCOLO / GND

VIETMOBILE.VN

COMPANY: <Company Name>			
TITLE: <Title>			
DRAWN: <Drawn By>	DATE: <Drawn Date>	CODE	SIZE
CHECKED: <Checked By>	DATE: <Checked Date>	DRAWING NO.	
QUALITY CONTROL: <QC By>	DATE: <QC Date>	REV.	
RELEASED: <Released By>	DATE: <Release Date>	SCALE: <Scale>	
SHEET 28		23	