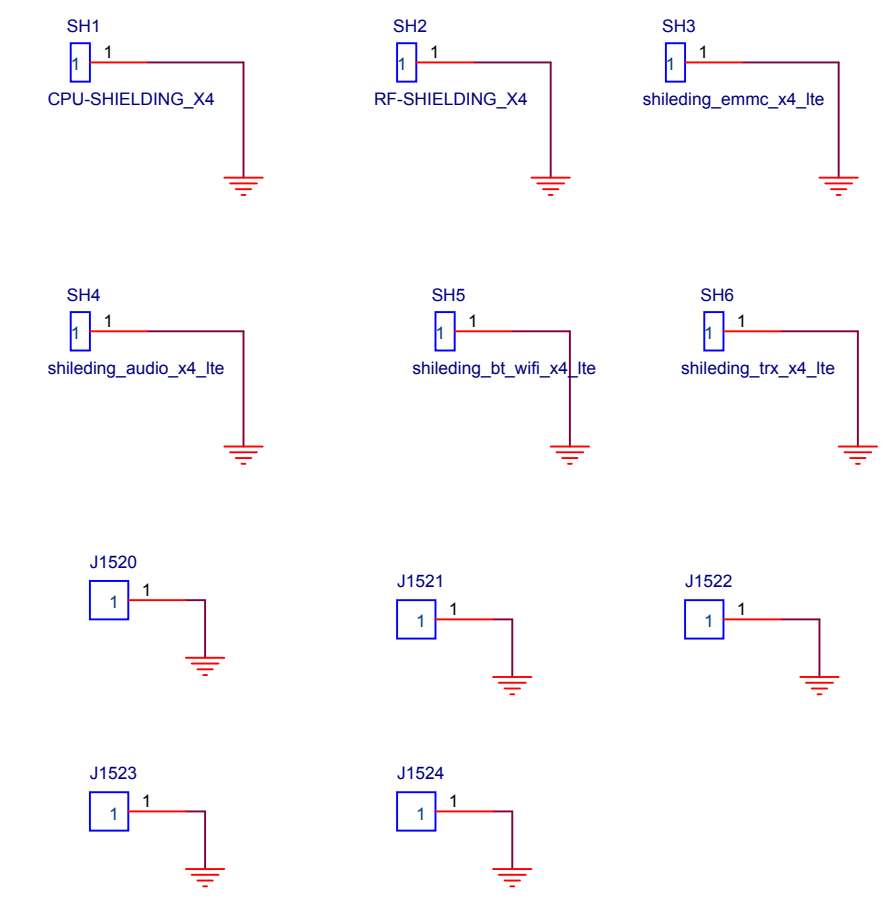
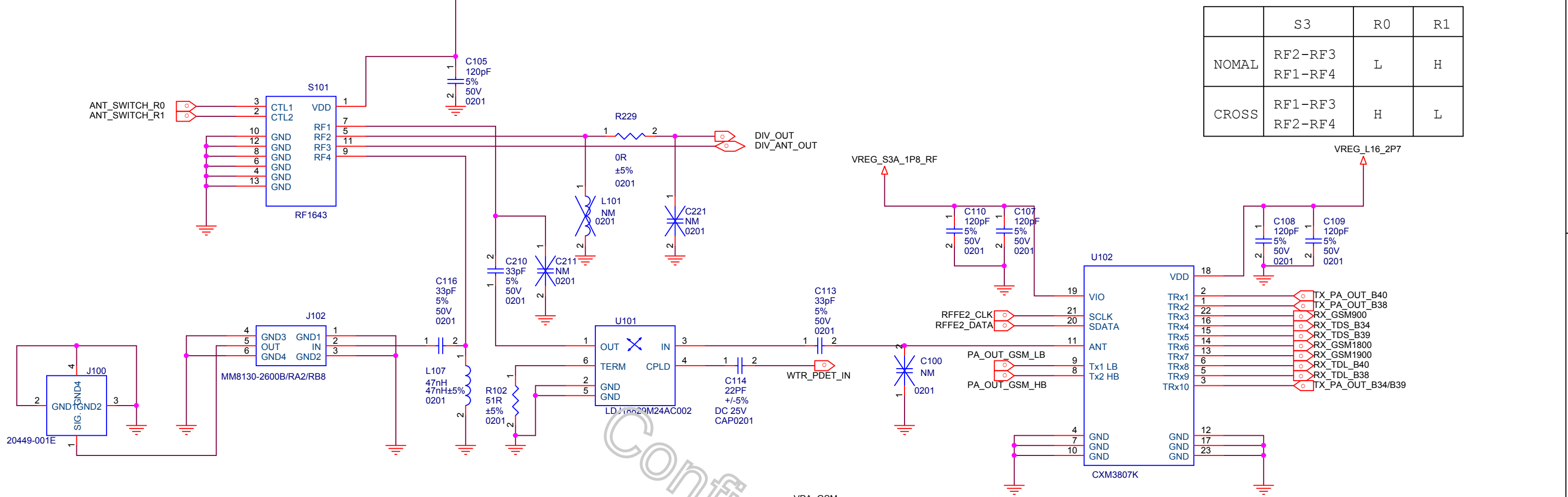


DPDT LOGIC

	S3	R0	R1
NOMAL	RF2-RF3 RF1-RF4	L	H
CROSS	RF1-RF3 RF2-RF4	H	L

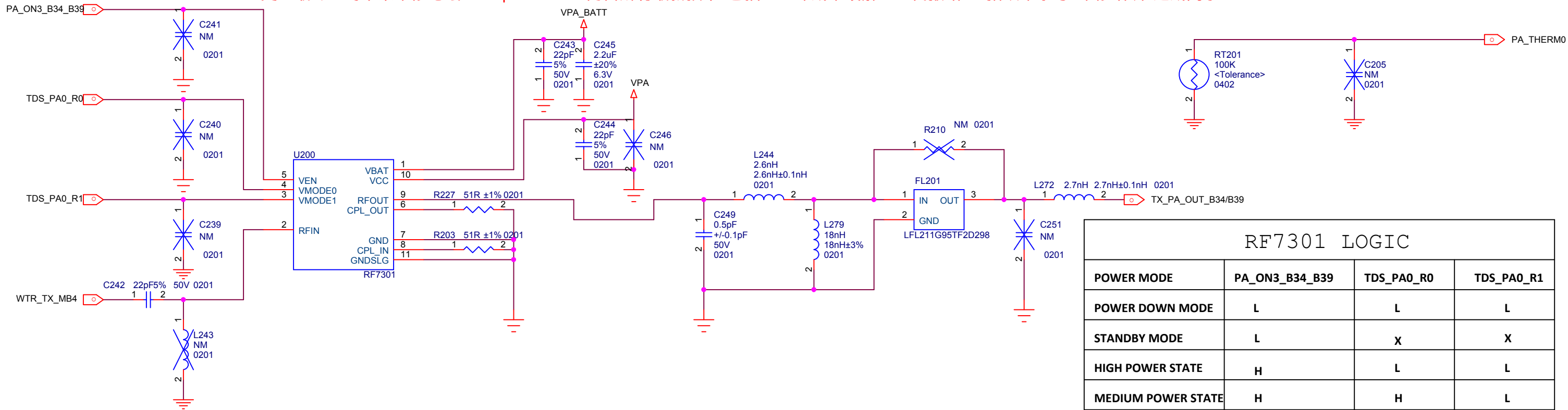


SKY77354 LOGIC

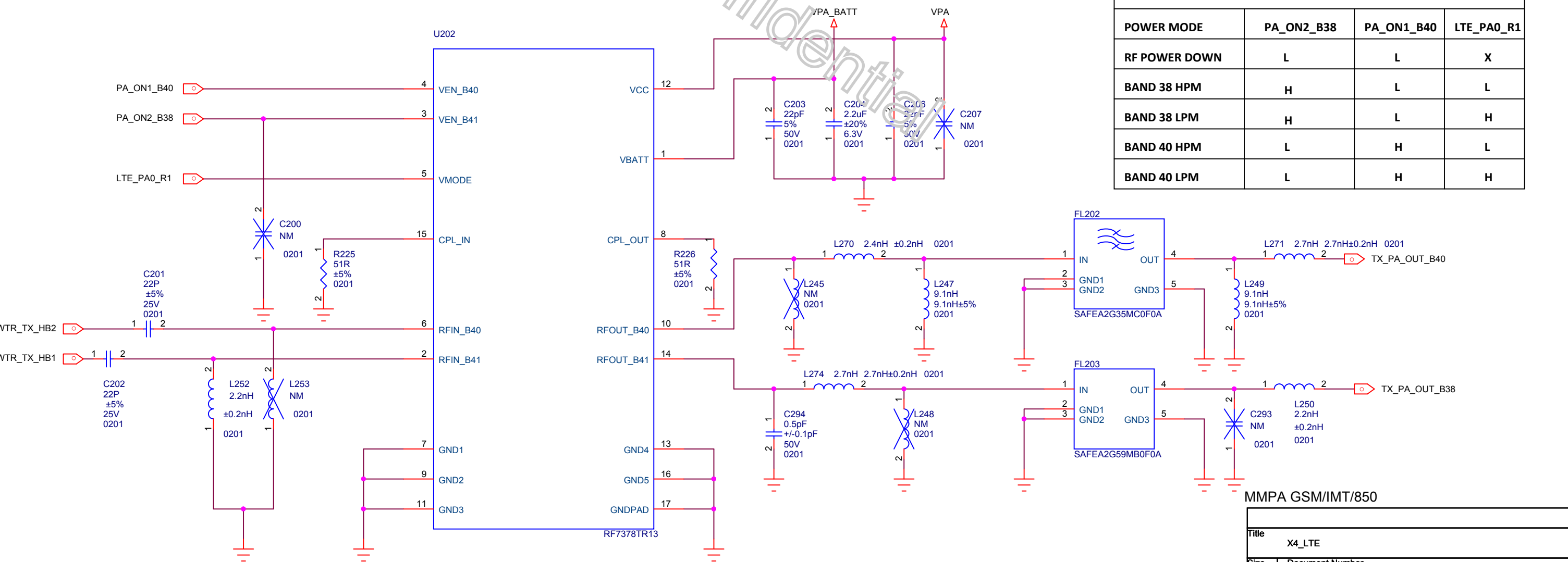
POWER MODE	GSM_PA_ON2	GSM_PA_ON3	GSM_VMODE0
DCS/PCS HIGH POWER	L	H	L
DCS/PCS LOW POWER	L	H	H
GSM900 HIGH POWER	H	L	L
GSM900 LOW POWER	H	L	H
SHUT DOWN	L	L	X

Primary Ant Connector, Coupler and Primary Switchplexer

Title: X4_LTE		
Size: A3	Document Number: <Doc>	Rev: M000B
Date: Friday, August 22, 2014	Sheet: 1	of 31



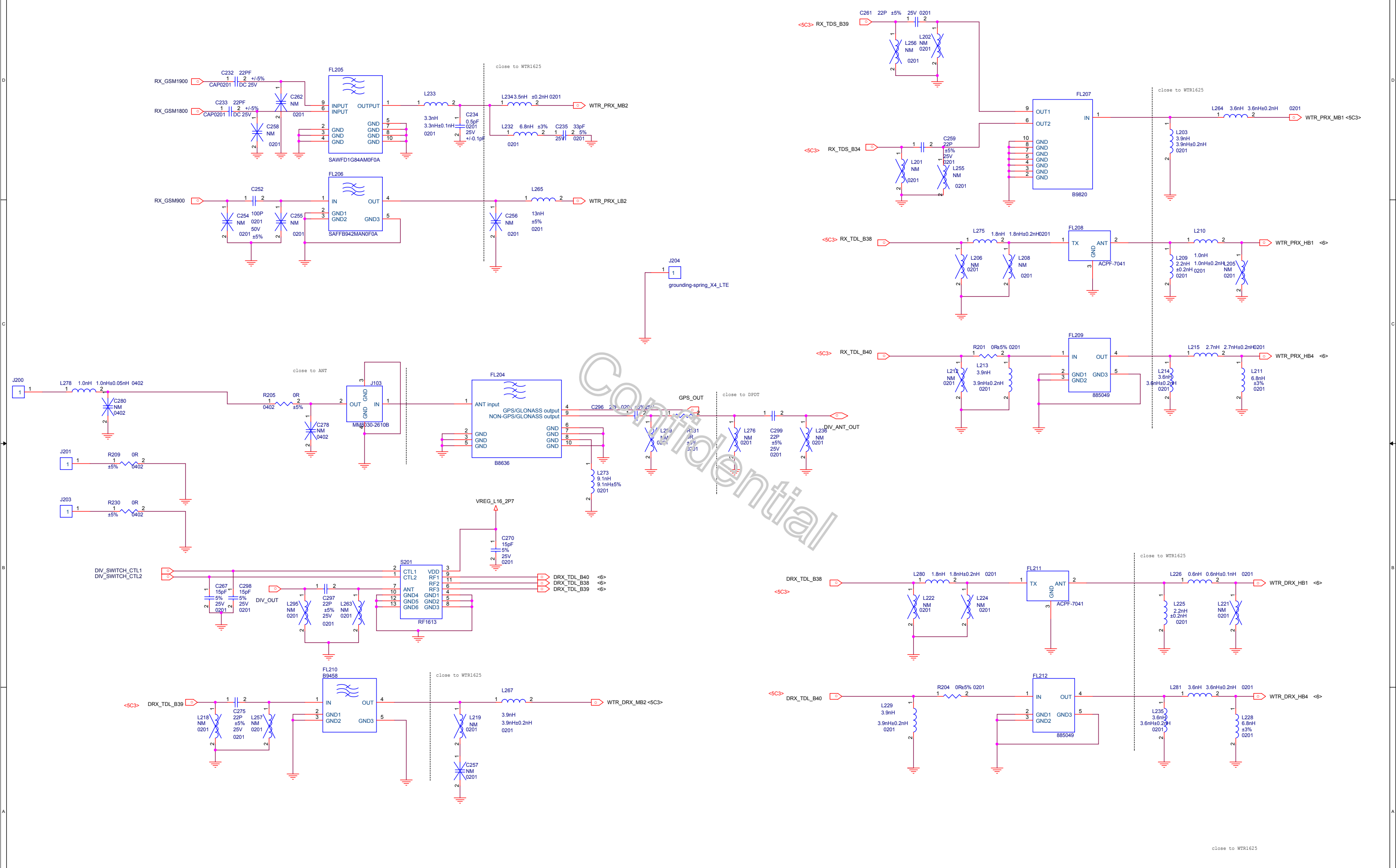
RF7301 LOGIC			
POWER MODE	PA_ON3_B34_B39	TDS_PA0_R0	TDS_PA0_R1
POWER DOWN MODE	L	L	L
STANDBY MODE	L	X	X
HIGH POWER STATE	H	L	L
MEDIUM POWER STATE	H	H	L
LOW POWER STATE	H	H	H



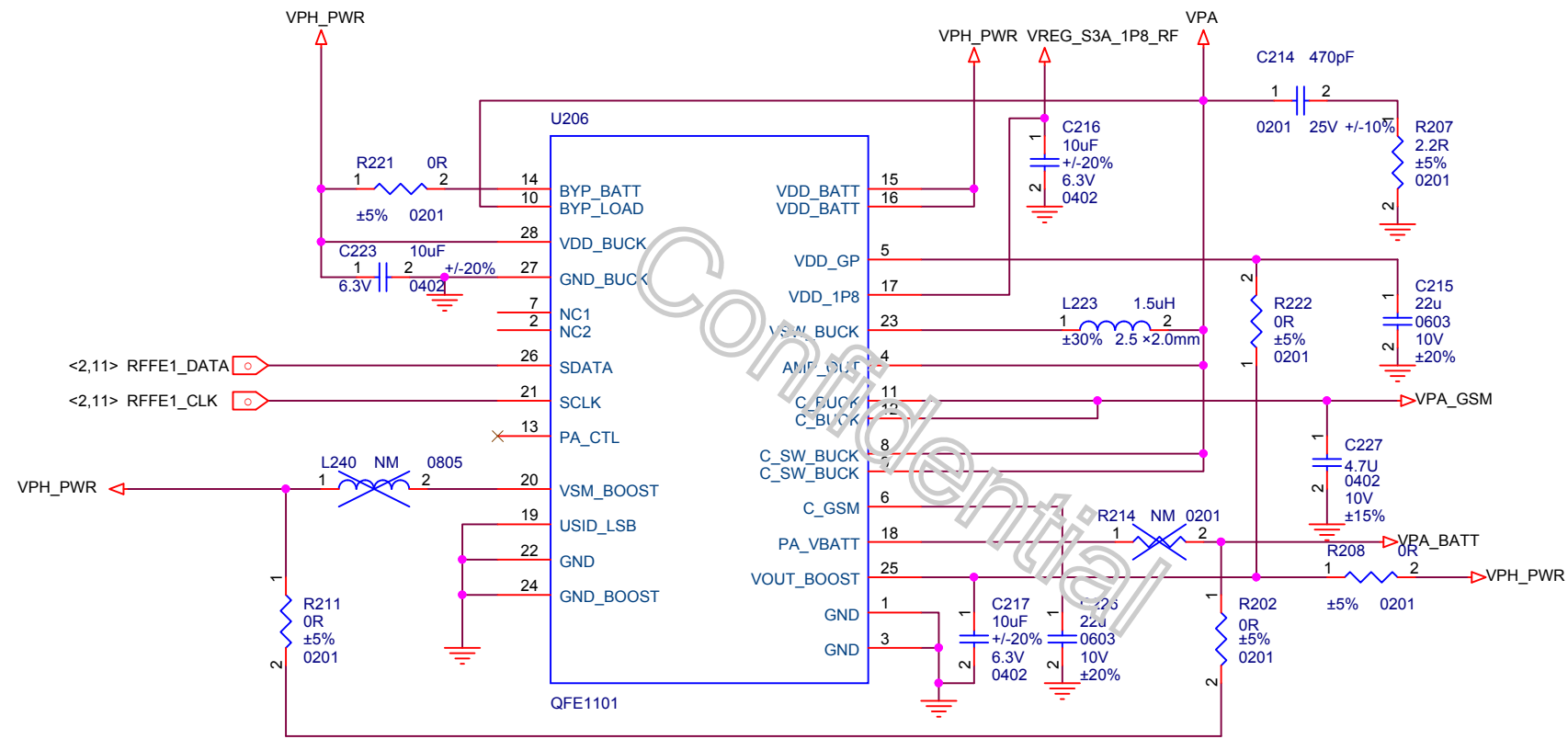
RF7378 LOGIC			
POWER MODE	PA_ON2_B38	PA_ON1_B40	LTE_PA0_R1
RF POWER DOWN	L	L	X
BAND 38 HPM	H	L	L
BAND 38 LPM	H	L	H
BAND 40 HPM	L	H	L
BAND 40 LPM	L	H	H

MMPA GSM/IMT/850

Title		X4_LTE
Size	Document Number	Rev
A3	<Doc>	M000B
Date:	Friday, August 22, 2014	Sheet 2 of 31

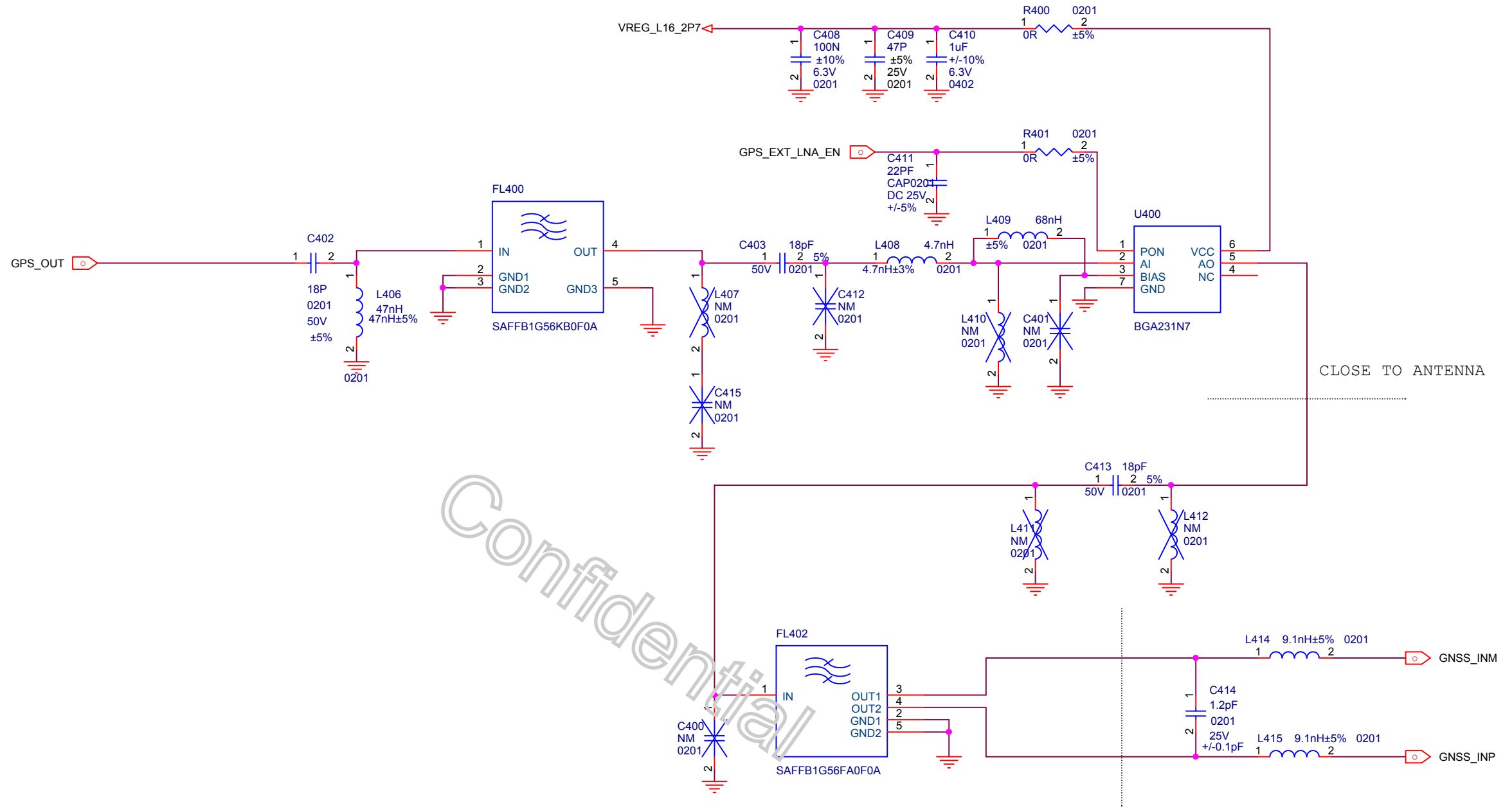


Title		X4_LTE
Size	Document Number	Rev
A2	<Doc>	M000B
Date:	Friday, August 22, 2014	Sheet 3 of 31



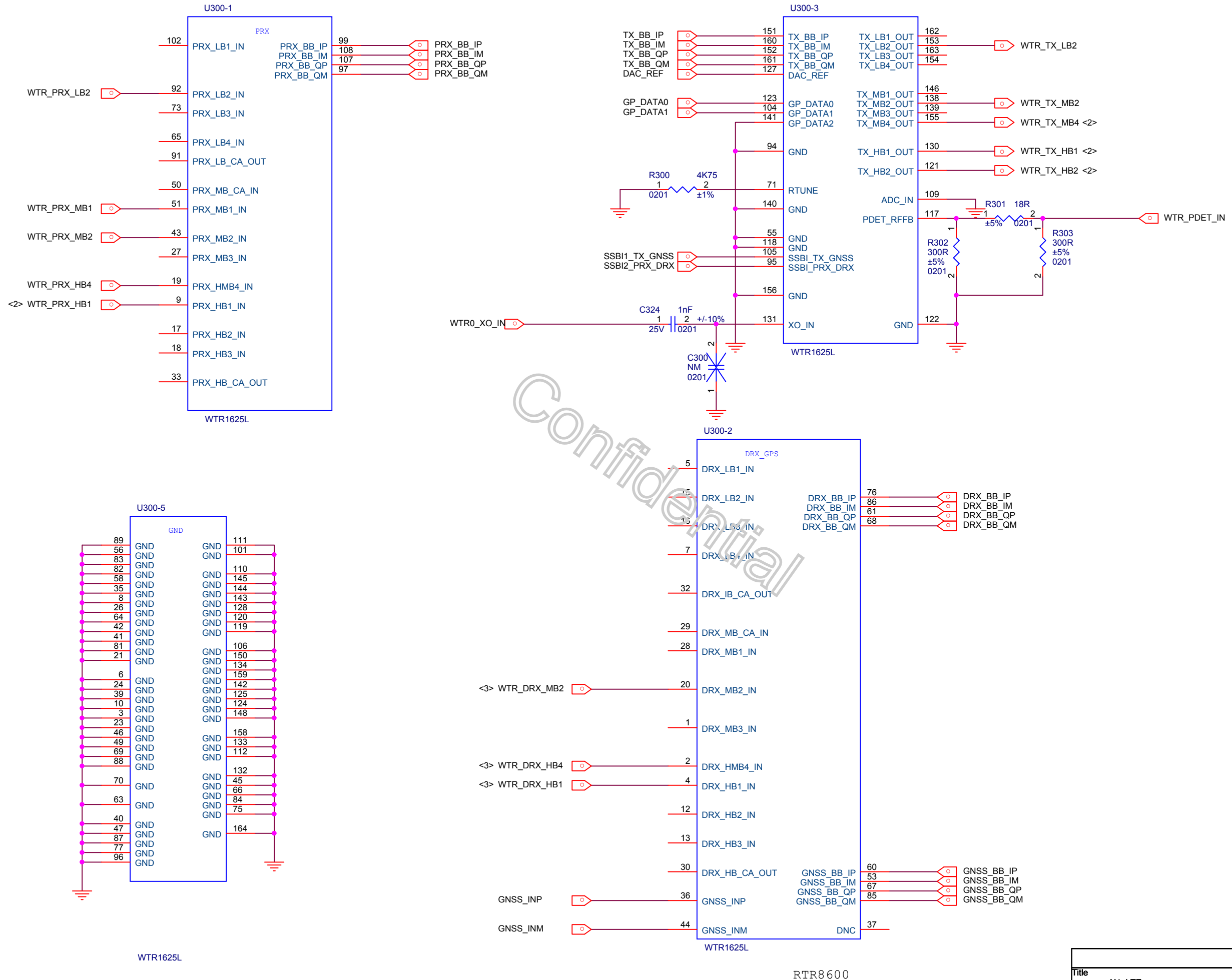
QFE1100

Title		
X4_LTE		
Size	Document Number	Rev
A3	<Doc>	M000B
Date:	Friday, August 22, 2014	Sheet 4 of 31



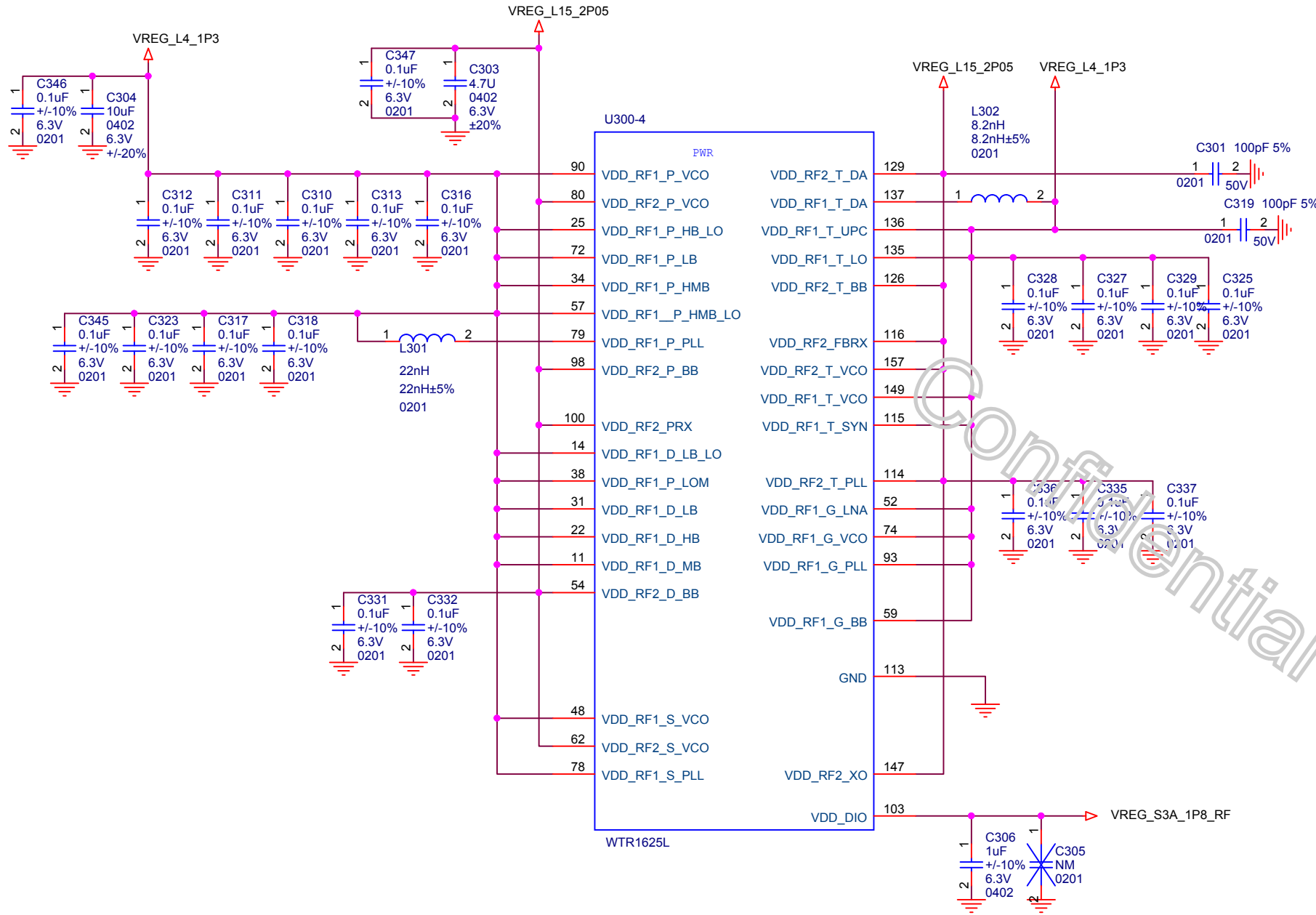
Confidential

GPS		
Title X4_LTE		
Size A3	Document Number <Doc>	Rev M000B
Date: Friday, August 22, 2014	Sheet 5	of 31



Confidential

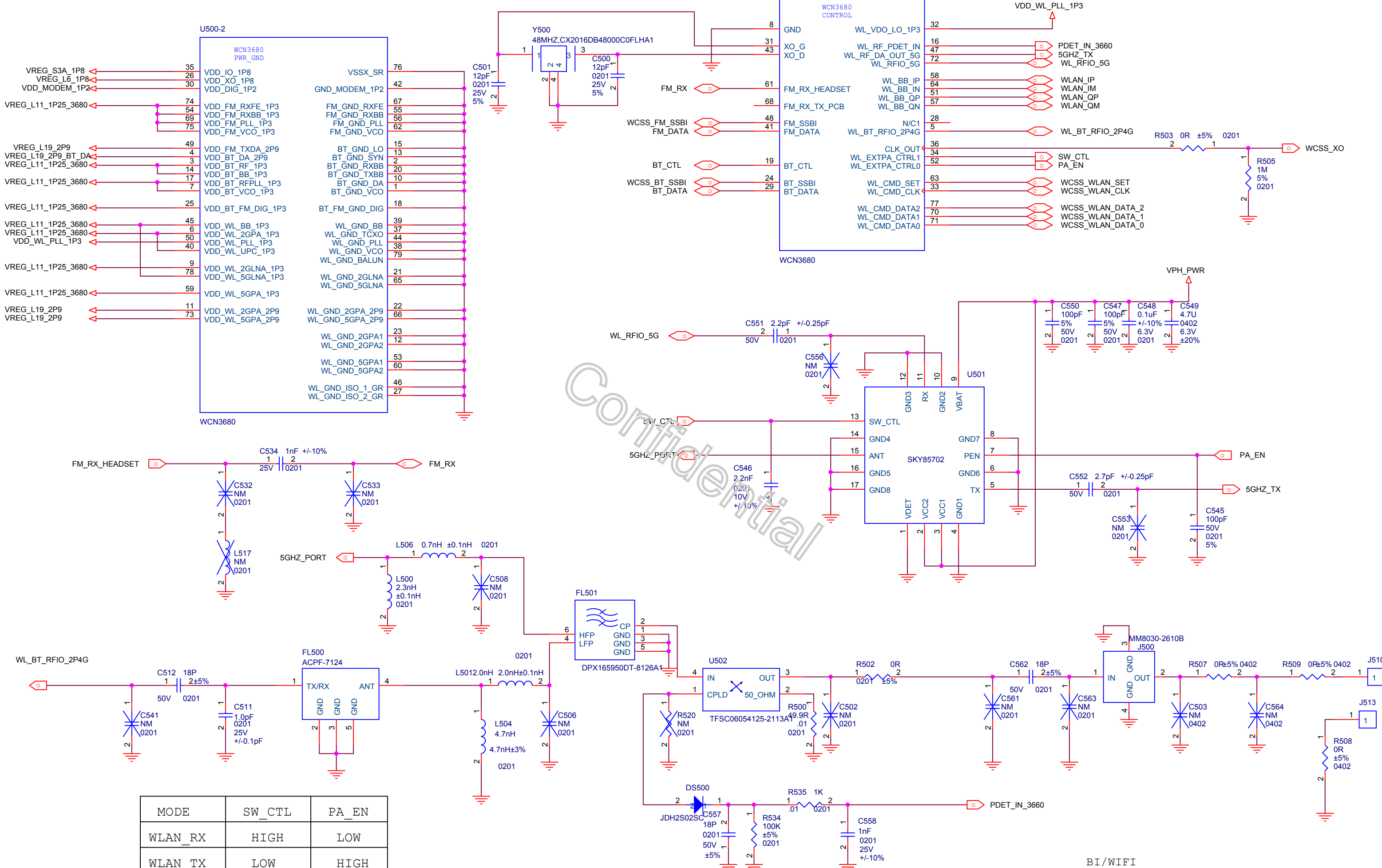
Title		
X4_LTE		
Size	Document Number	Rev
A3	<Doc>	M000B
Date:	Friday, August 22, 2014	Sheet 6 of 31



GROUP	NAME	PIN	NET
1	VDD_RF2_D_BB	54	VREG_L15_2P05
2	VDD_RF2_T_DA	129	
3	VDD_RF2_P_BB	98	
	VDD_RF2_T_BB	126	
4	VDD_RF2_P_VCO	80	
	VDD_RF2_S_VCO	62	
	VDD_RF2_T_VCO	157	VREG_L15_2P05
5	VDD_RF2_T_PLL	114	
6	VDD_RF2_XO	147	
7	VDD_RF2_FBRX	116	
8	VDD_RF2_PRX	100	
9	VDD_RF1_P_PLL	79	
	VDD_RF1_S_PLL	78	
	VDD_RF1_S_VCO	48	
	VDD_RF1_P_VCO	90	
10	VDD_RF1_T_DA	137	
11	VDD_RF1_T_VCO	149	
	VDD_RF1_T_SYN	115	
12	VDD_RF1_T_LO	135	
	VDD_RF1_T_UPC	136	
13	VDD_RF1_P_HB_LO	25	
14	VDD_RF1_D_LB	31	
15	VDD_RF1_P_LB	72	
16	VDD_RF1_D_LOM	38	
17	VDD_RF1_D_LB_LO	14	
18	VDD_RF1_D_MB	11	
19	VDD_RF1_D_HB	22	
20	VDD_RF1_P_HMB_LO	57	
21	VDD_RF1_P_HMB	34	
22	VDD_RF1_G_LNA	52	
	VDD_RF1_G_BB	59	
23	VDD_RF1_G_PLL	93	
	VDD_RF1_G_VCO	74	
24	VDD_DIO	103	VREG_S3A_1P8_RF

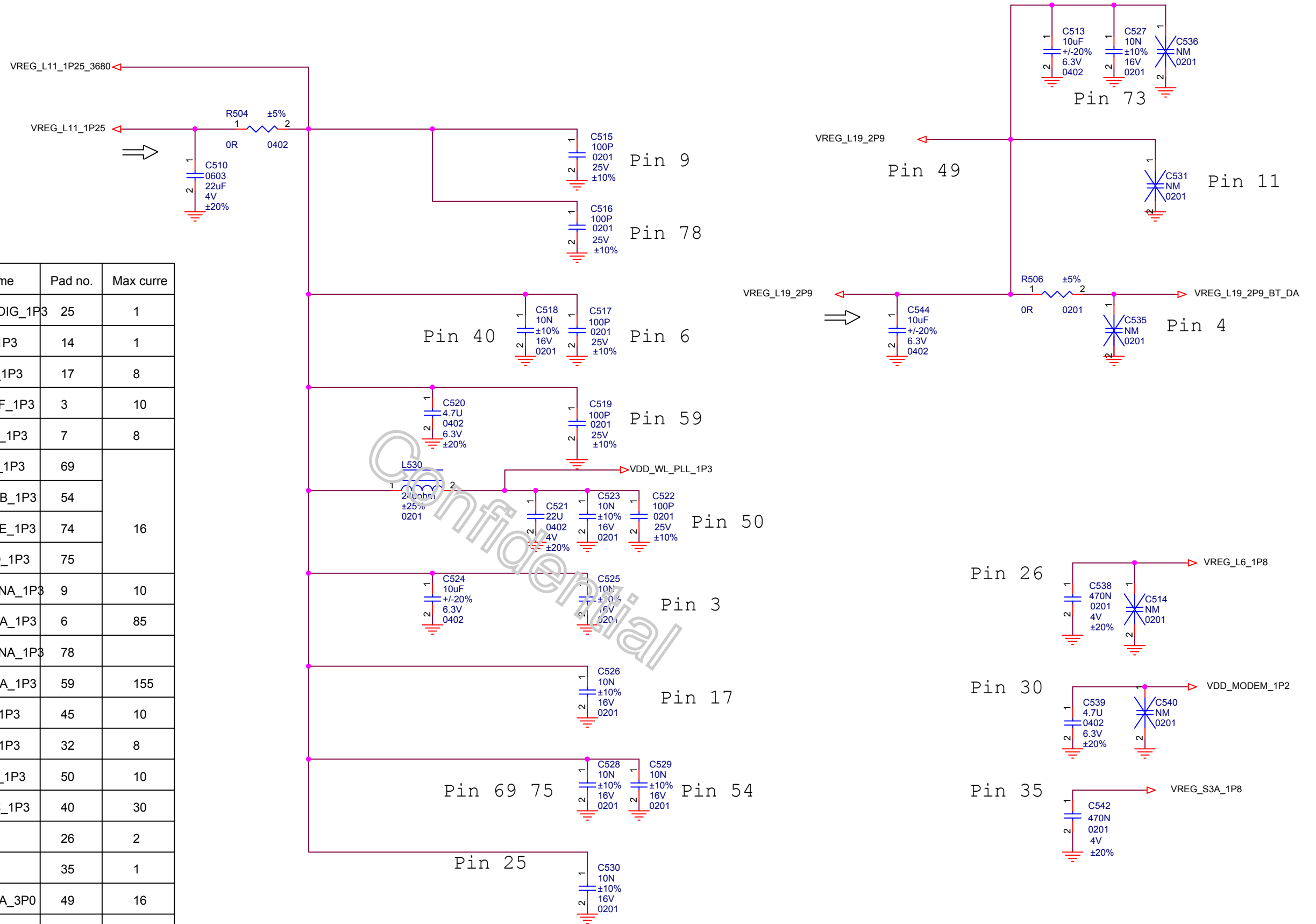
RTR8600 BYPASS

Title		
X4_LTE		
Size	Document Number	Rev
A3	<Doc>	M000B
Date:	Friday, August 22, 2014	Sheet 7 of 31



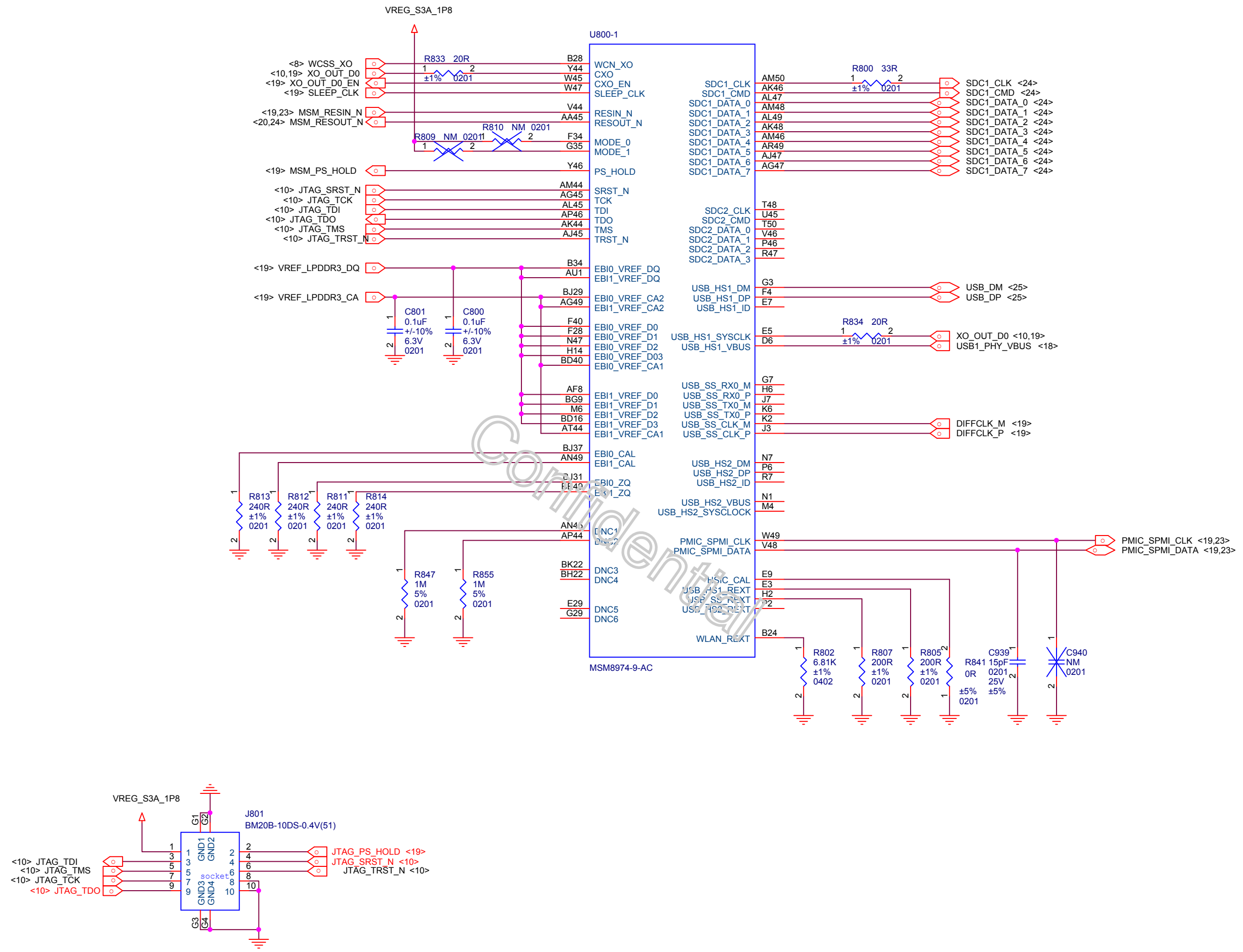
BI/WIFI		
Title X4_LTE		
Size A3	Document Number <Doc>	Rev M000B
Date: Friday, August 22, 2014	Sheet 8	of 31

Voltage	Pad name	Pad no.	Max curre
1P3	VDD_BT_FM_DIG_1P3	25	1
	VDD_BT_BB_1P3	14	1
	VDD_BT_PLL_1P3	17	8
	VDD_BT_RXRF_1P3	3	10
	VDD_BT_VCO_1P3	7	8
	VDD_FM_PLL_1P3	69	16
	VDD_FM_RXBB_1P3	54	
	VDD_FM_RXFE_1P3	74	
	VDD_FM_VCO_1P3	75	
	VDD_WL_2GLNA_1P3	9	10
	VDD_WL_2GPA_1P3	6	85
	VDD_WL_5GLNA_1P3	78	155
	VDD_WL_5GPA_1P3	59	
	VDD_WL_BB_1P3	45	
	VDD_WL_LO_1P3	32	
VDD_WL_PLL_1P3	50	10	
VDD_WL_UPC_1P3	40	30	
1P8	VDD_XO_1P8	26	2
	VDD_IO_1P8	35	1
3P0	VDD_FM_TXDA_3P0	49	16
	VDD_WL_2GPA_3P0	11	560
	VDD_WL_5GPA_3P0	73	600
	VDD_BT_TXRF_3P0	4	45
1P2	VDD_DIG_1P2	30	4



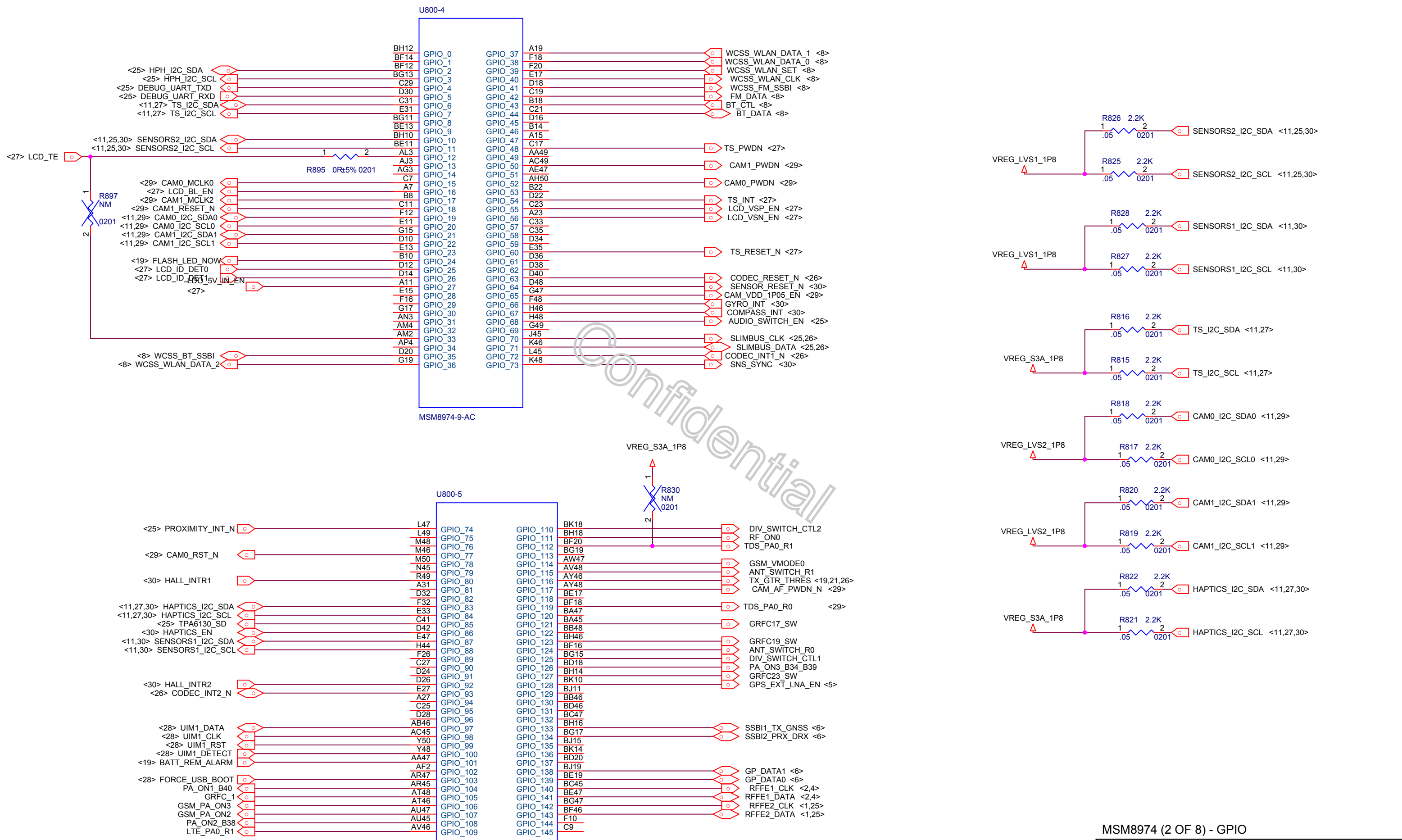
BT/FM/WLAN DECOUP

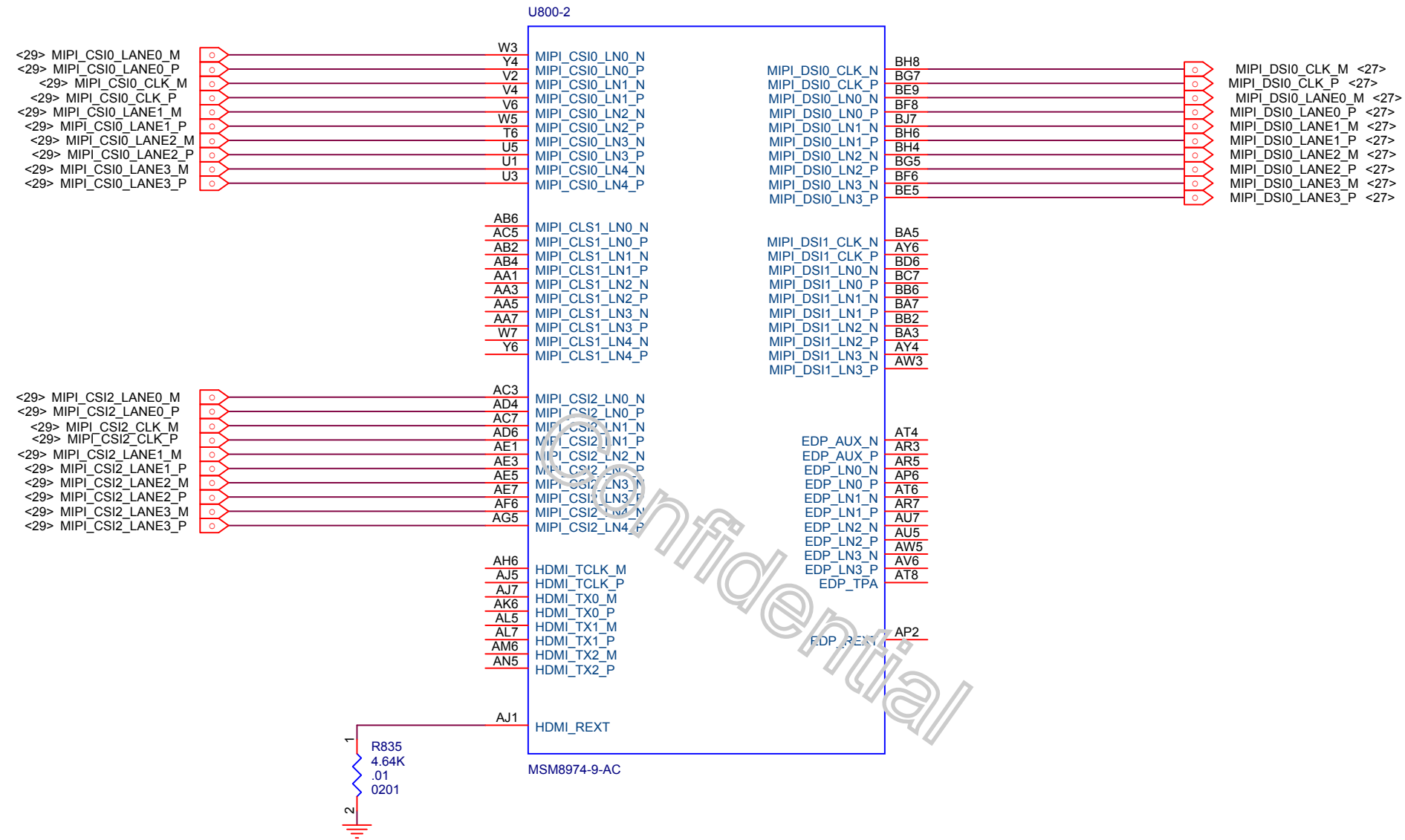
Title		
X4_LTE		
Size	Document Number	Rev
A3	<Doc>	M000B
Date:	Friday, August 22, 2014	Sheet 9 of 31

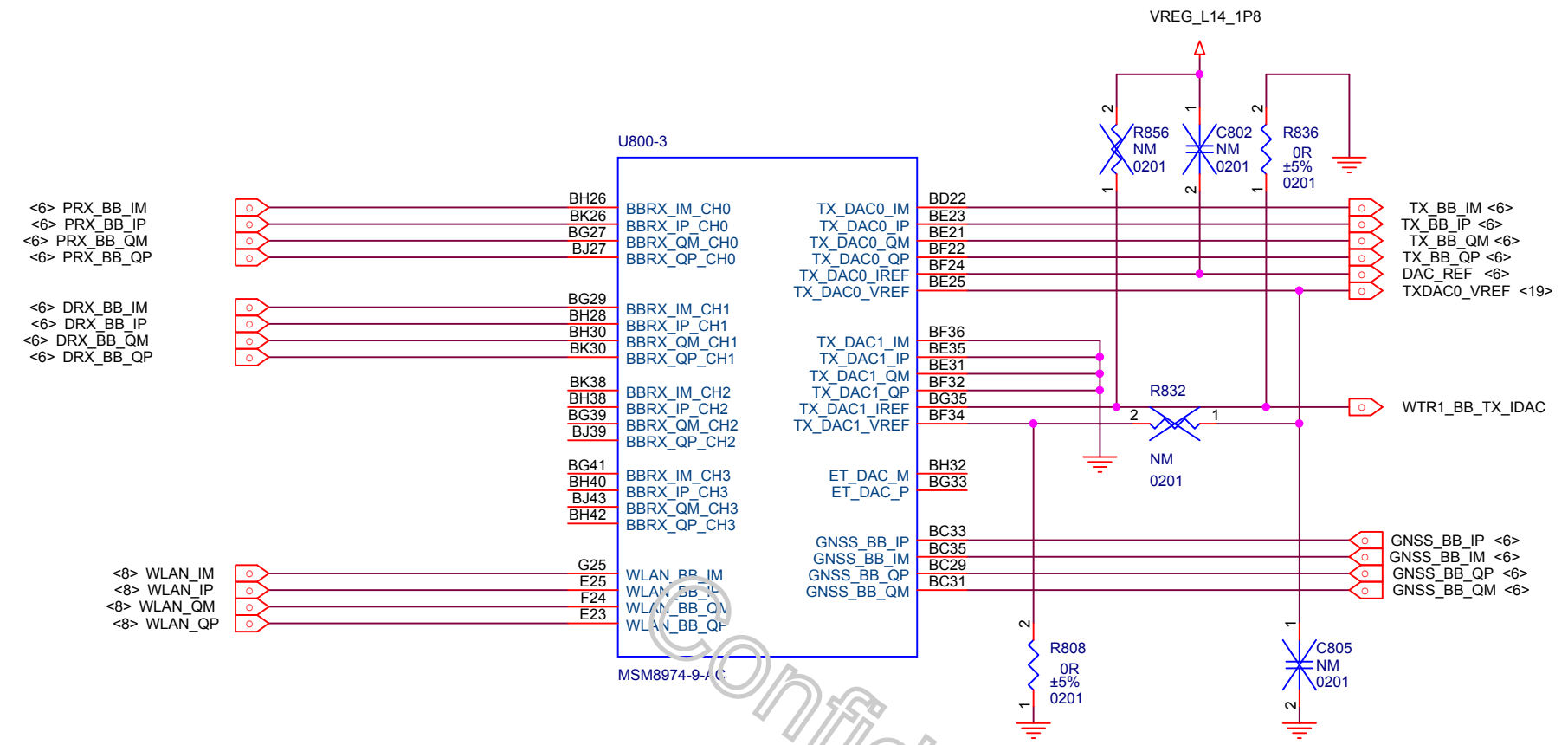


MSM8974 (1 OF 8) - CONTROL

Title		
X4_LTE		
Size	Document Number	Rev
A3	<Doc>	M000B
Date:	Friday, August 22, 2014	Sheet 10 of 31



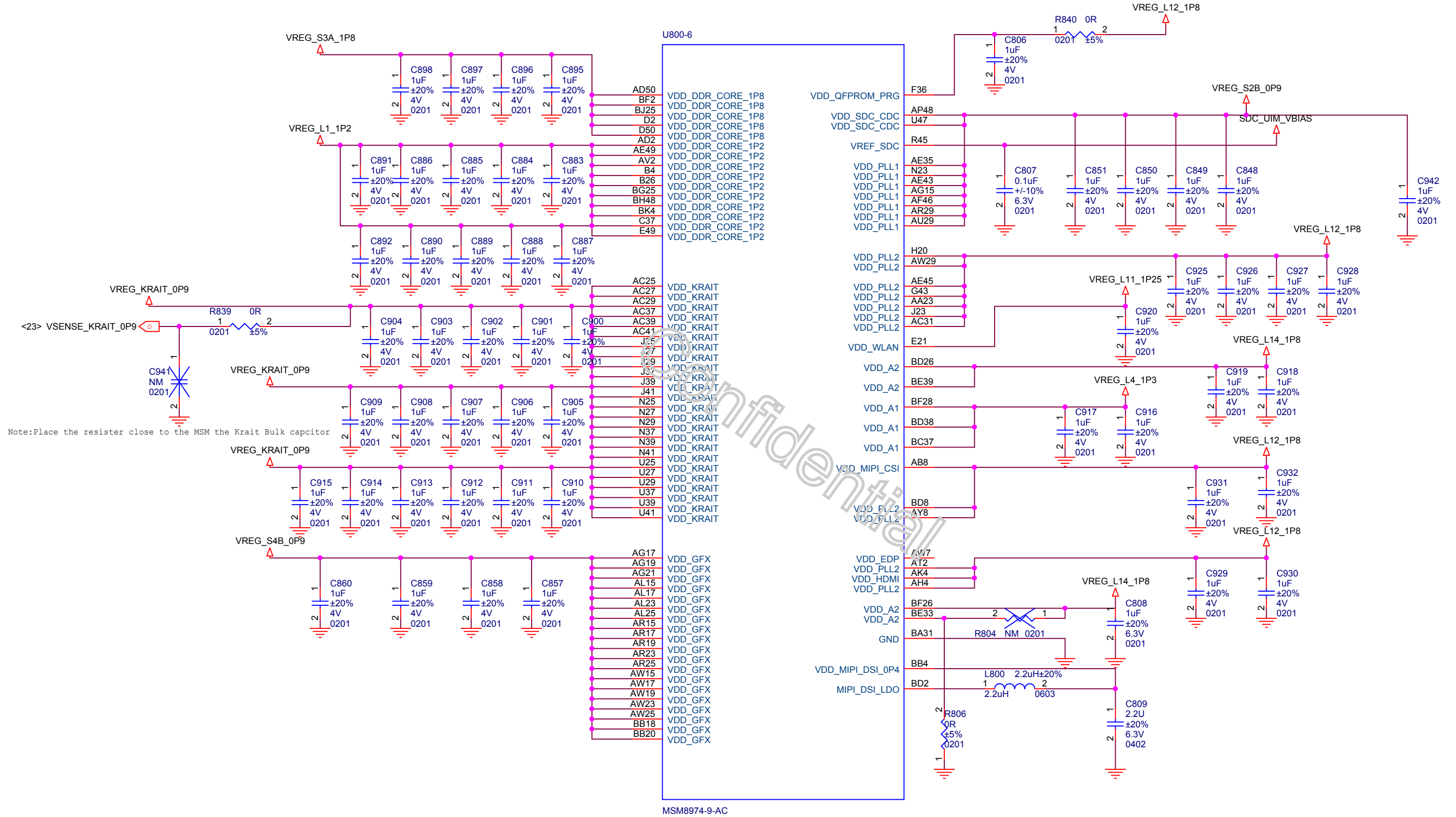




Confidential

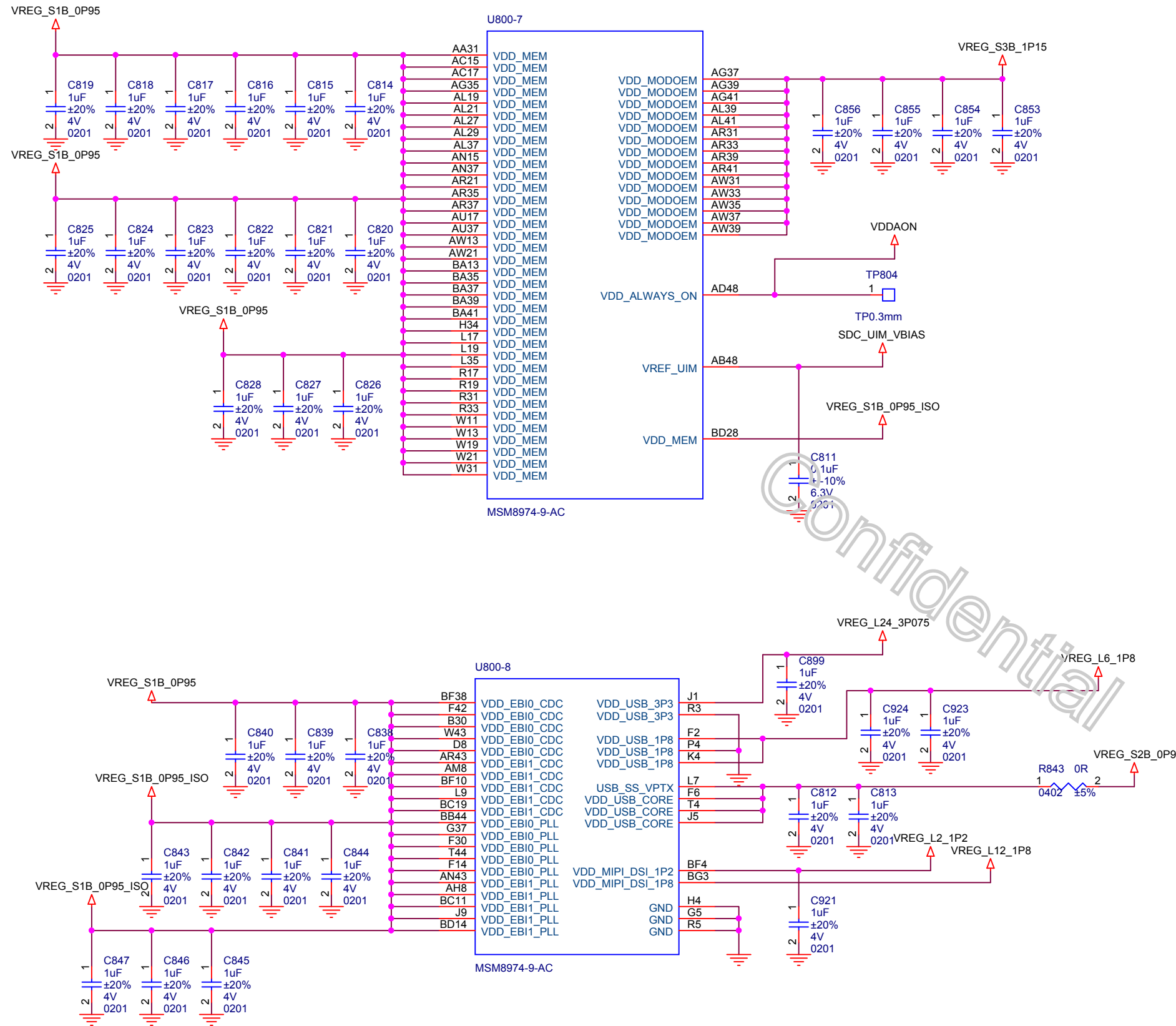
MSM8974 (4 OF 8) - MSM8974 RF INTERFACE

Title		
X4_LTE		
Size	Document Number	Rev
A3	<Doc>	M000B
Date:	Friday, August 22, 2014	Sheet 13 of 31



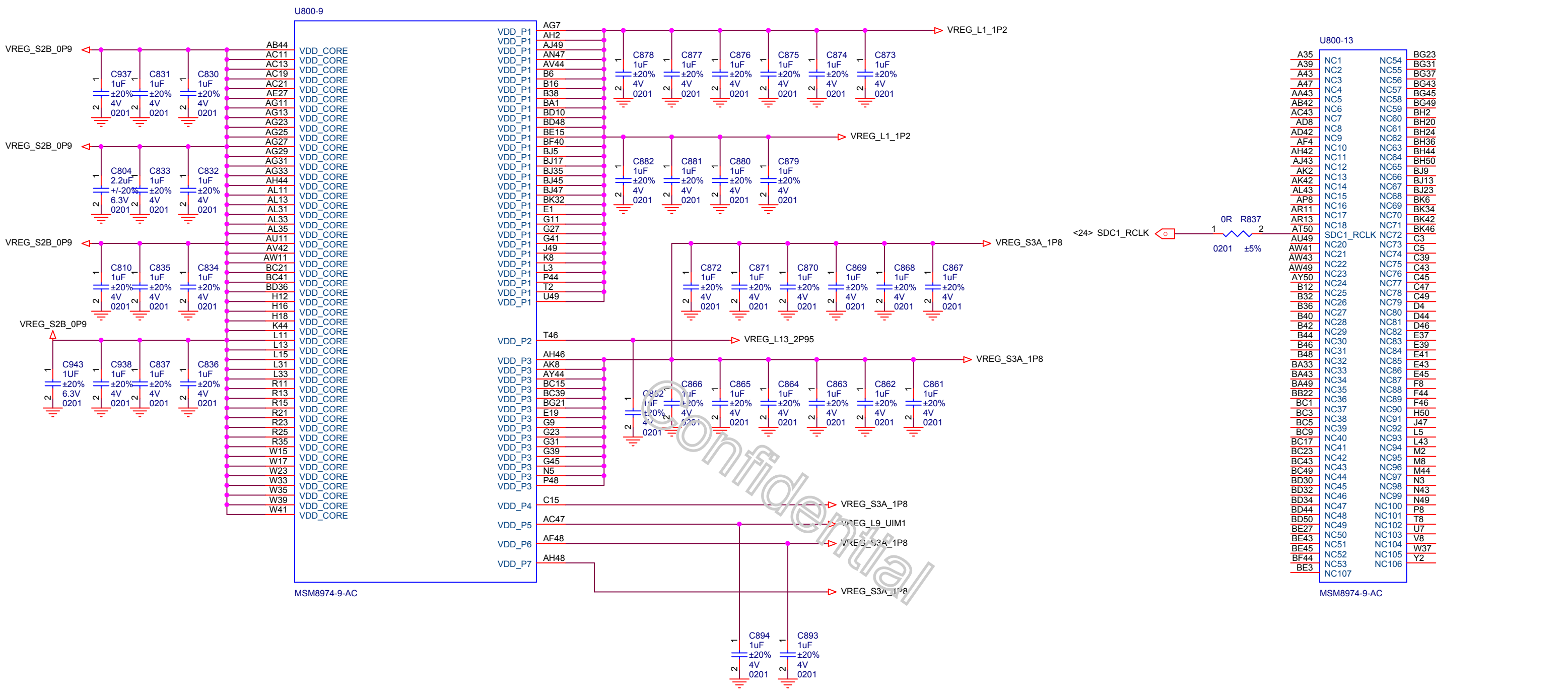
MSM8974 (5 OF 8) - MSM8974 POWER1

Title		
X4_LTE		
Size	Document Number	Rev
A3	<Doc>	M000B
Date:	Friday, August 22, 2014	Sheet 14 of 31



MSM8974 (6 OF 8) - MSM8974 POWER2

Title		
X4_LTE		
Size	Document Number	Rev
A3	<Doc>	M000B
Date:	Friday, August 22, 2014	Sheet 15 of 31



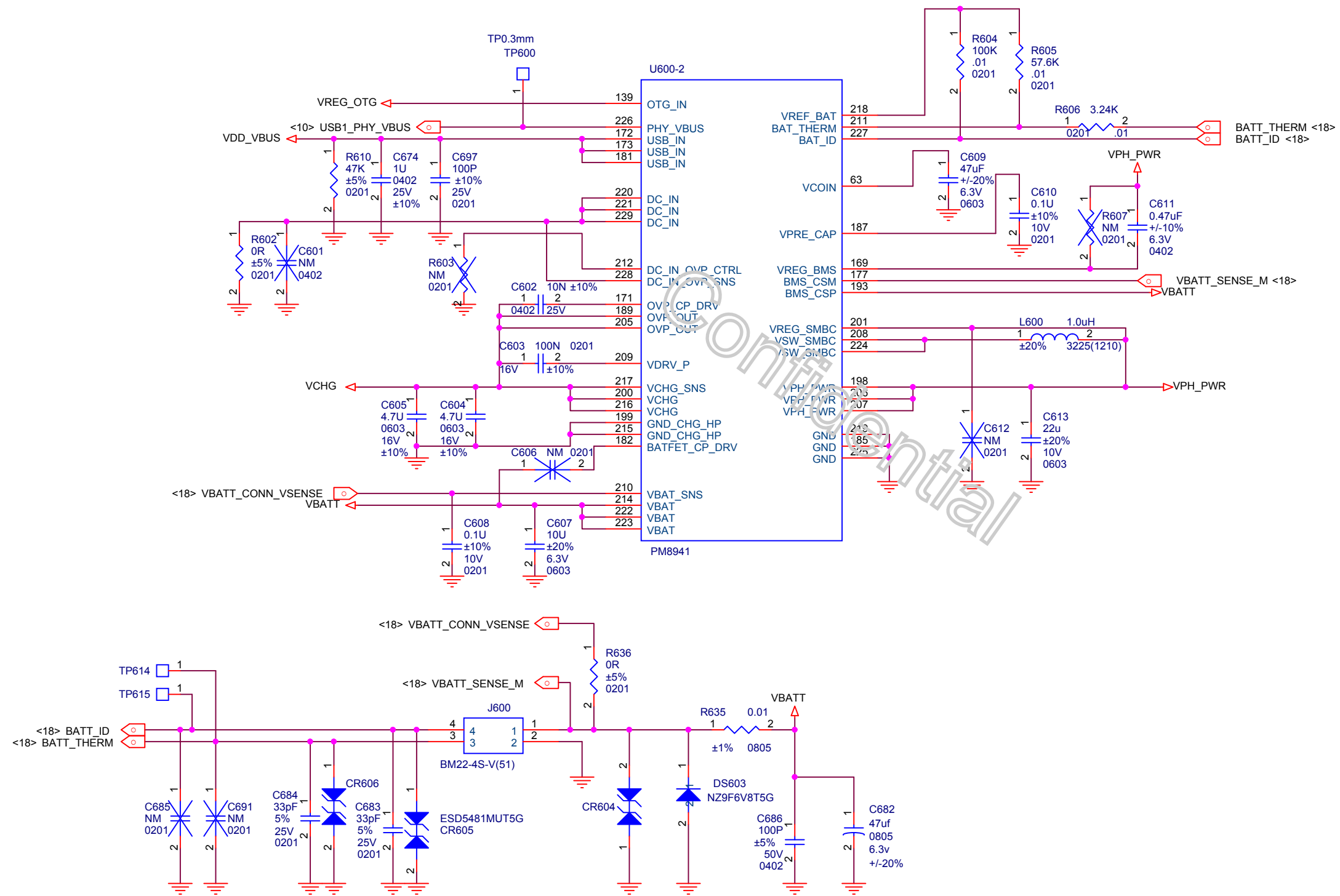
MSM8960 (6 OF 8) - MSM8974 POWER3

Title			X4_LTE
Size	Document Number		Rev
A3	<Doc>		M000B
Date:	Friday, August 22, 2014	Sheet	16 of 31



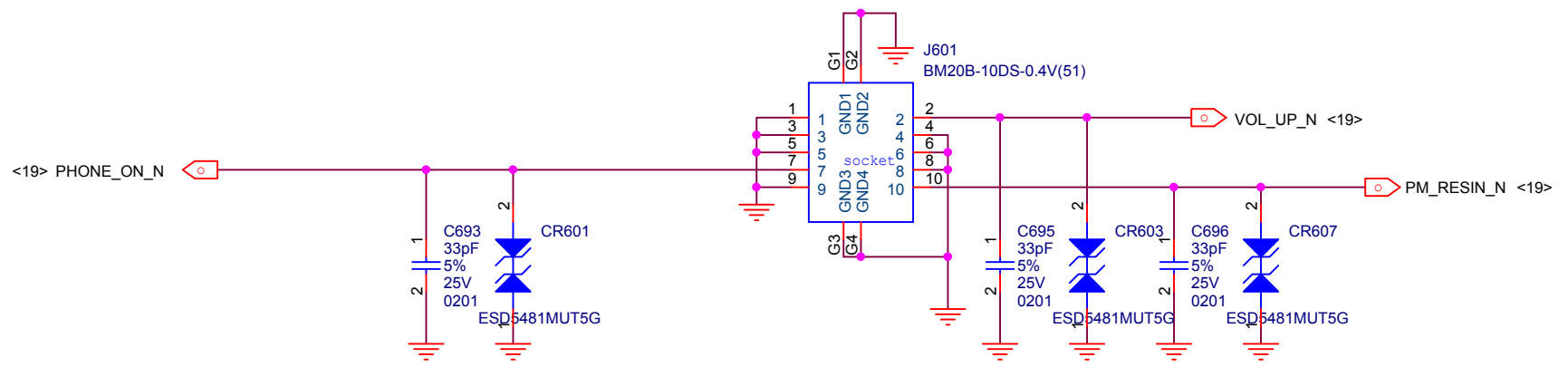
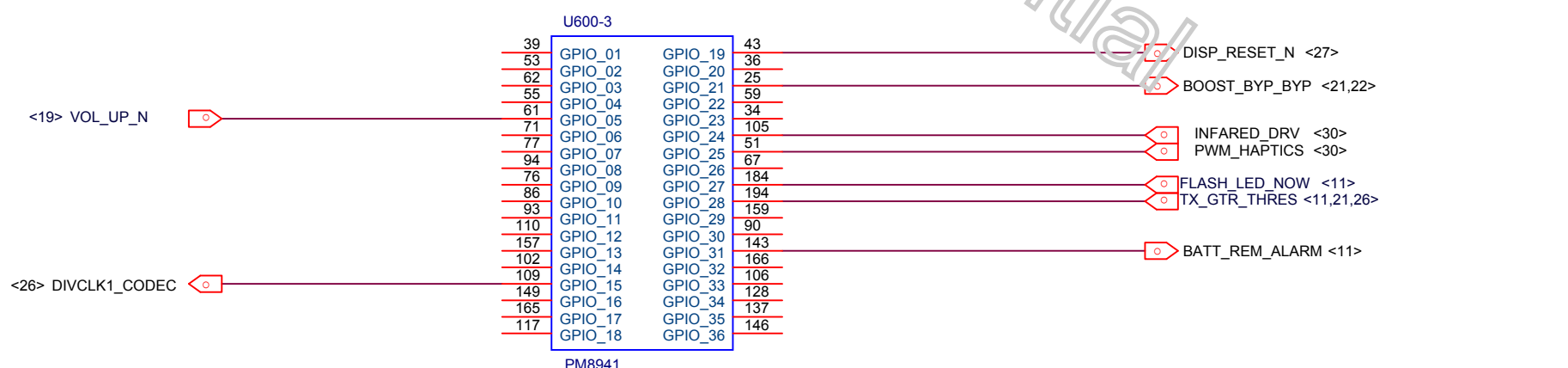
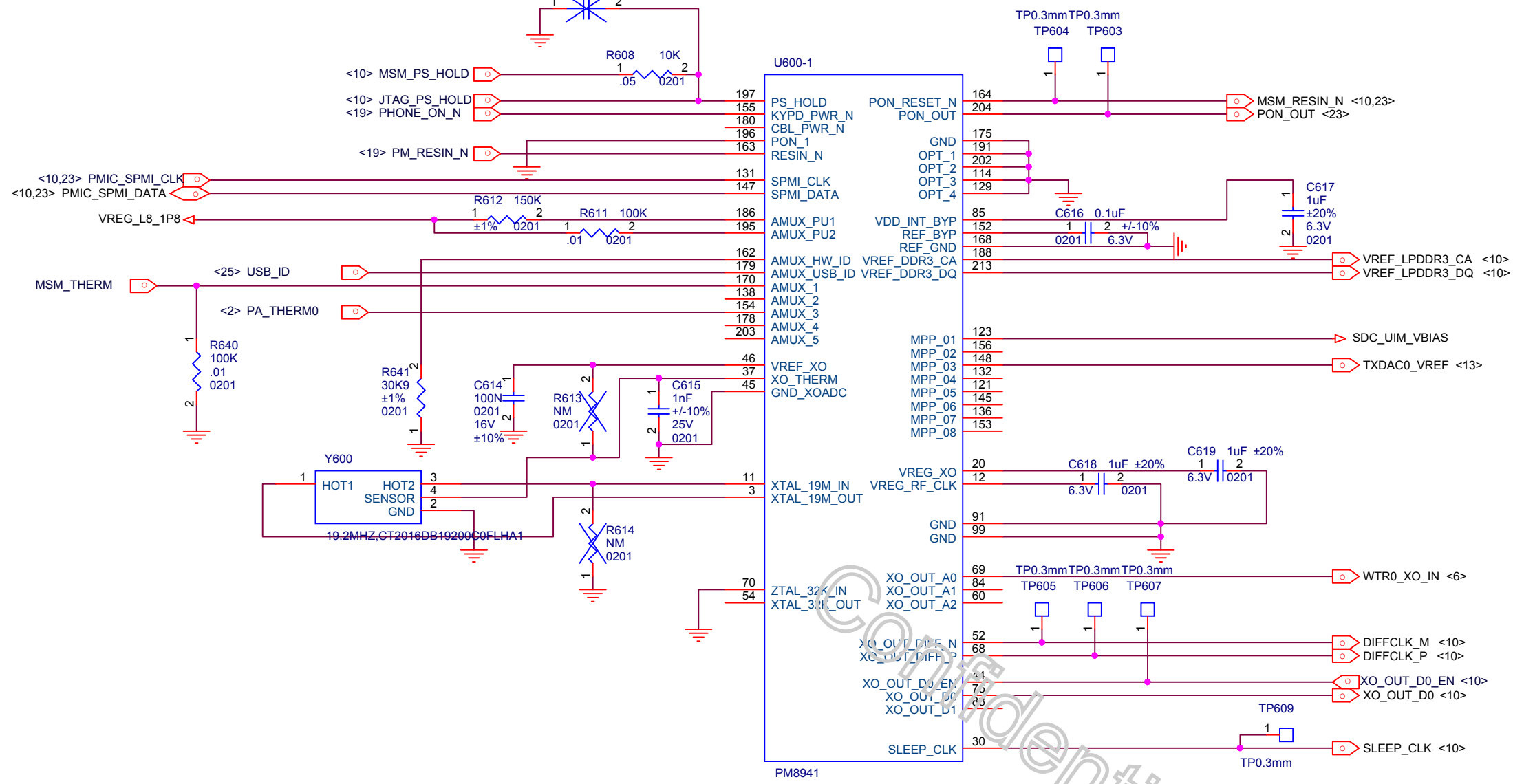
MSM8974 (8 OF 8) - MSM8974 GND

Title		
X4_LTE		
Size	Document Number	Rev
A3	<Doc>	M000B
Date:	Friday, August 22, 2014	Sheet 17 of 31



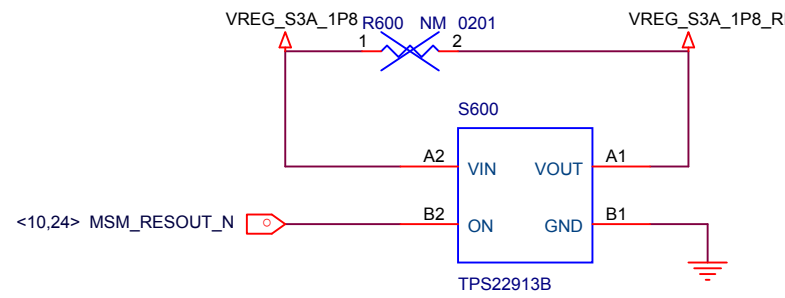
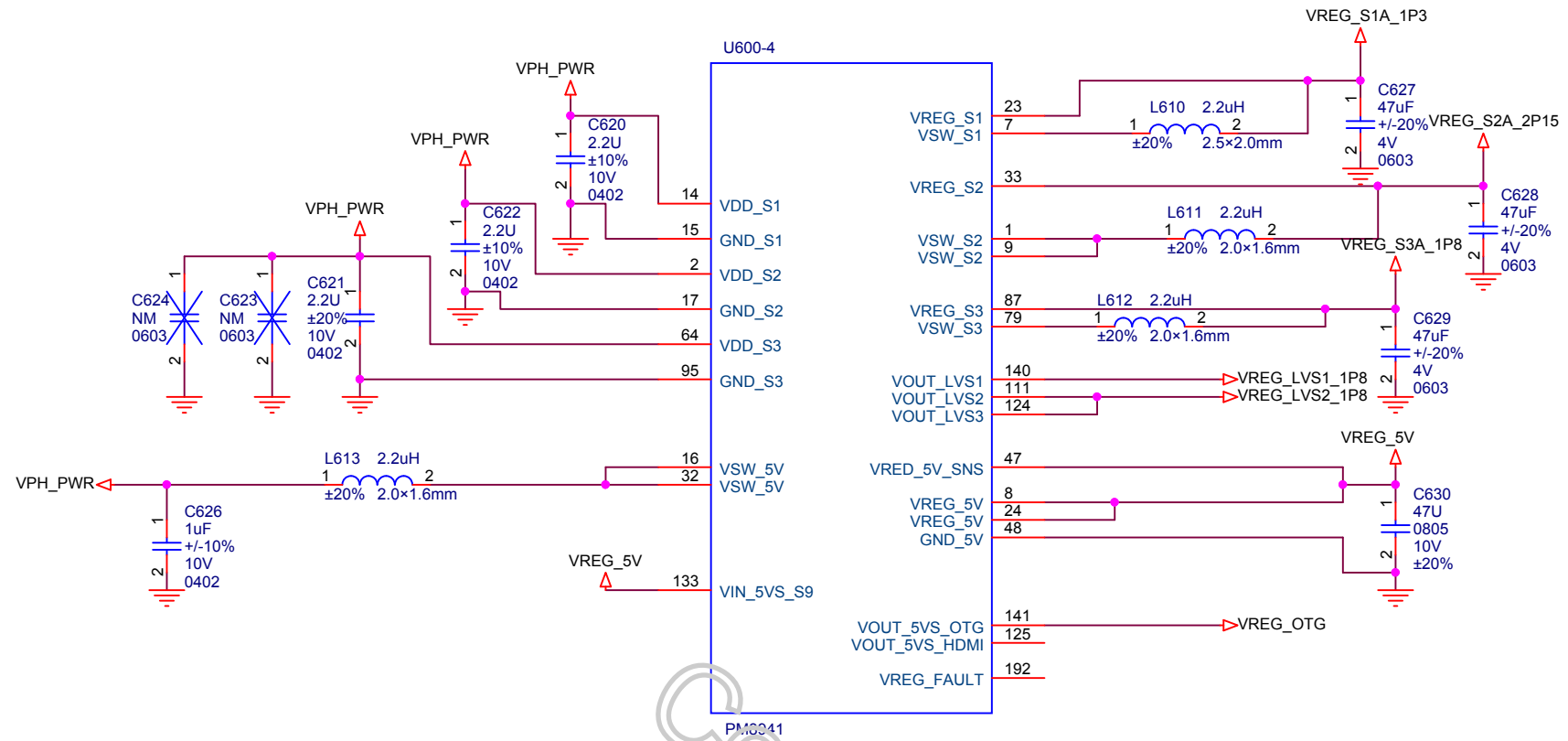
PM8941(1 OF 5) - CHARGING

Title		
X4_LTE		
Size	Document Number	Rev
A3	<Doc>	M000B
Date:	Friday, August 22, 2014	Sheet 18 of 31



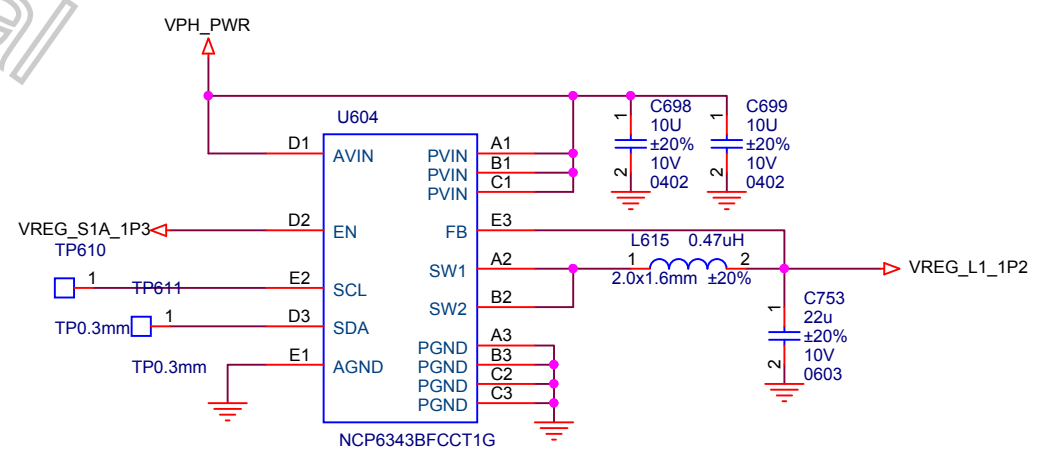
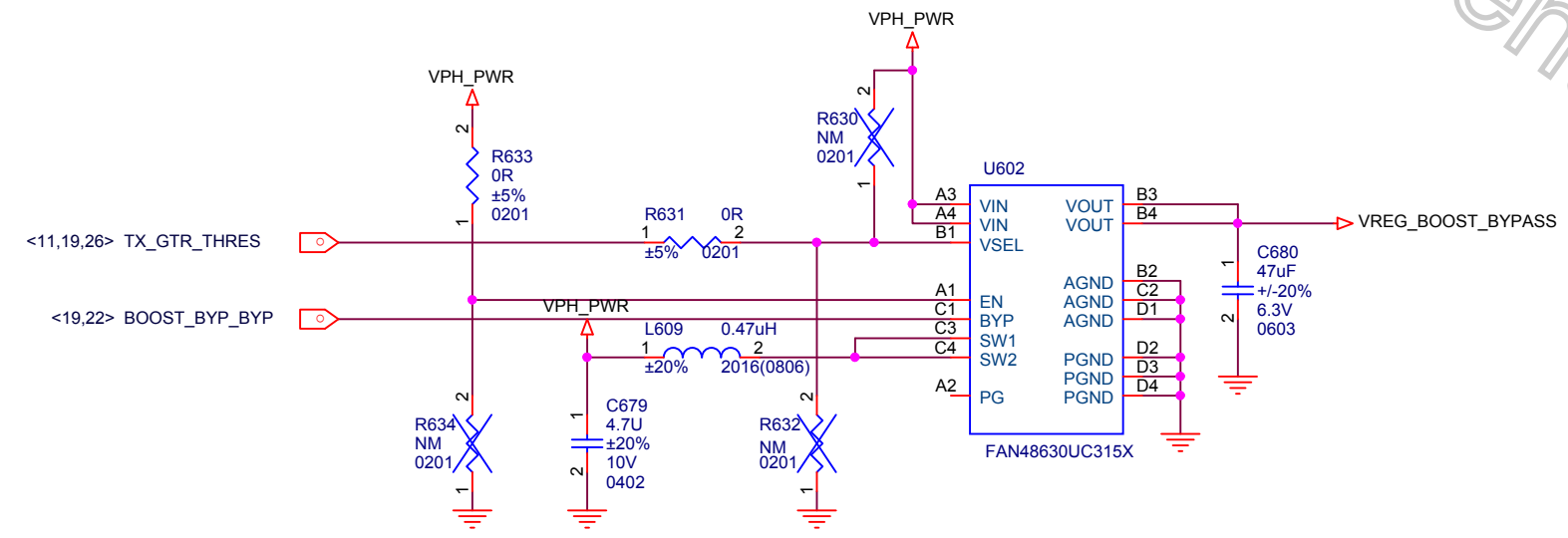
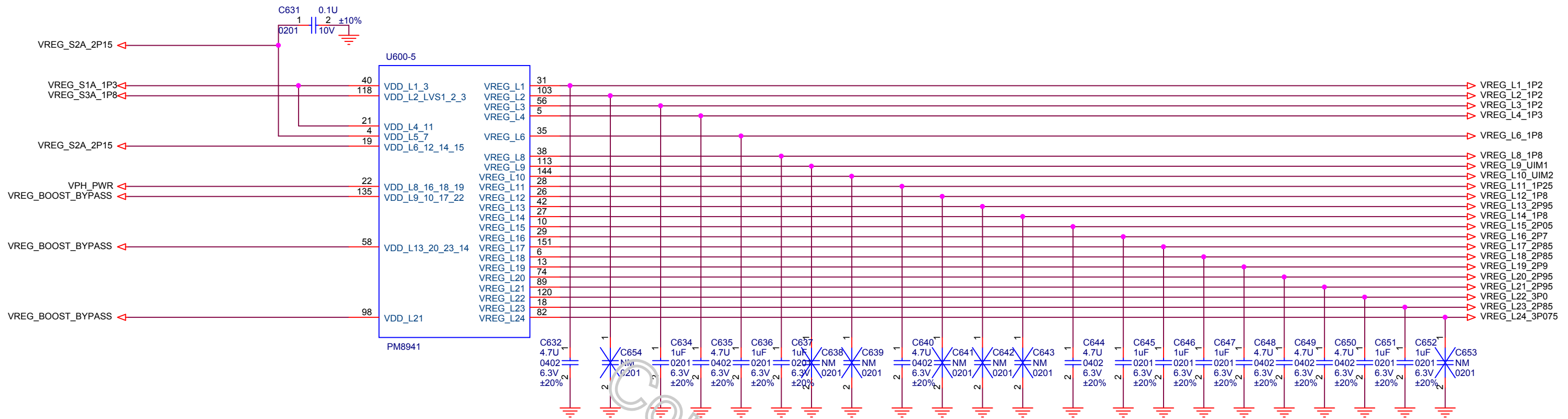
PM8941(2 OF 5)-AMUX,CLK,GPIO

Title		
X4_LTE		
Size	Document Number	Rev
A3	<Doc>	M000B
Date:	Friday, August 22, 2014	Sheet 19 of 31



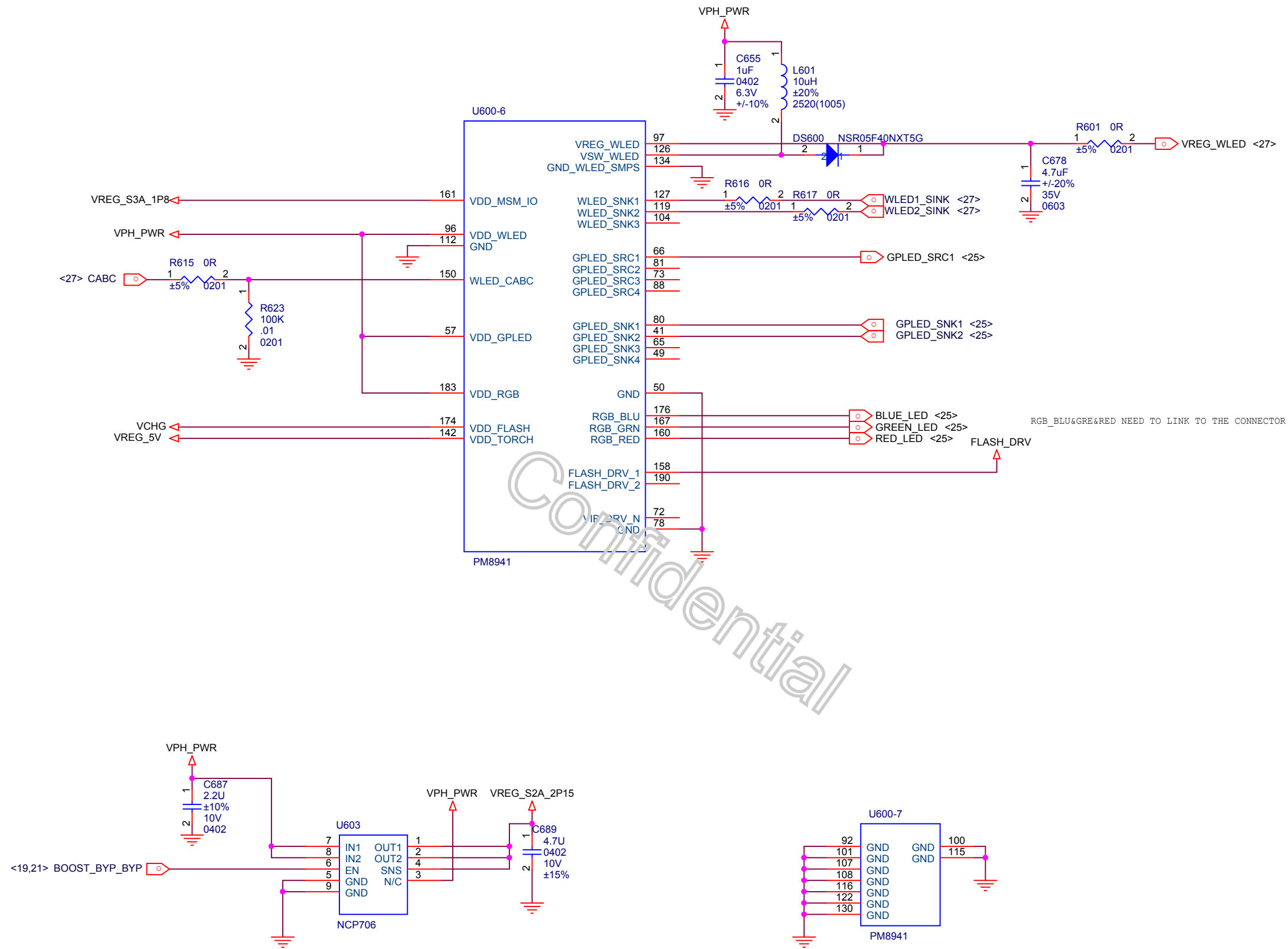
PM8941(3 OF 5) - SMPS

Title		
X4_LTE		
Size	Document Number	Rev
A3	<Doc>	M000B
Date:	Friday, August 22, 2014	Sheet 20 of 31



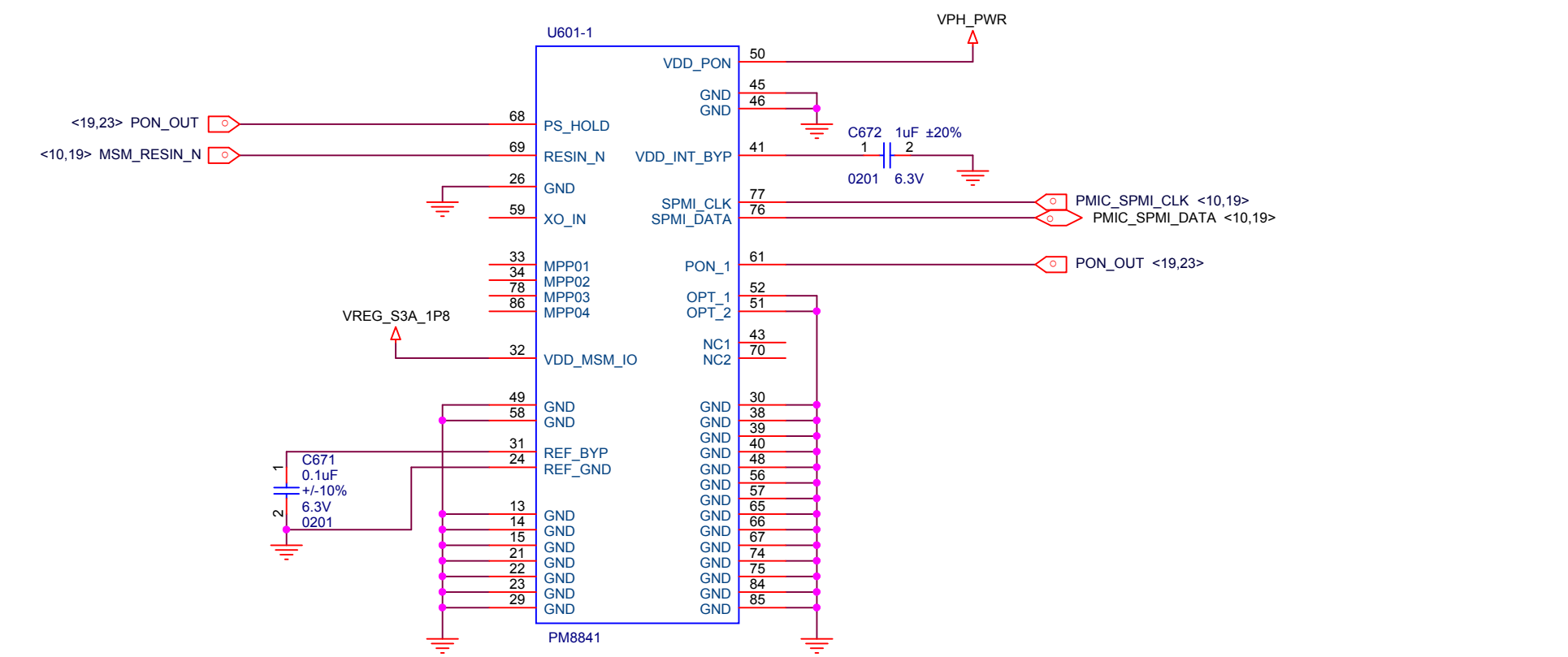
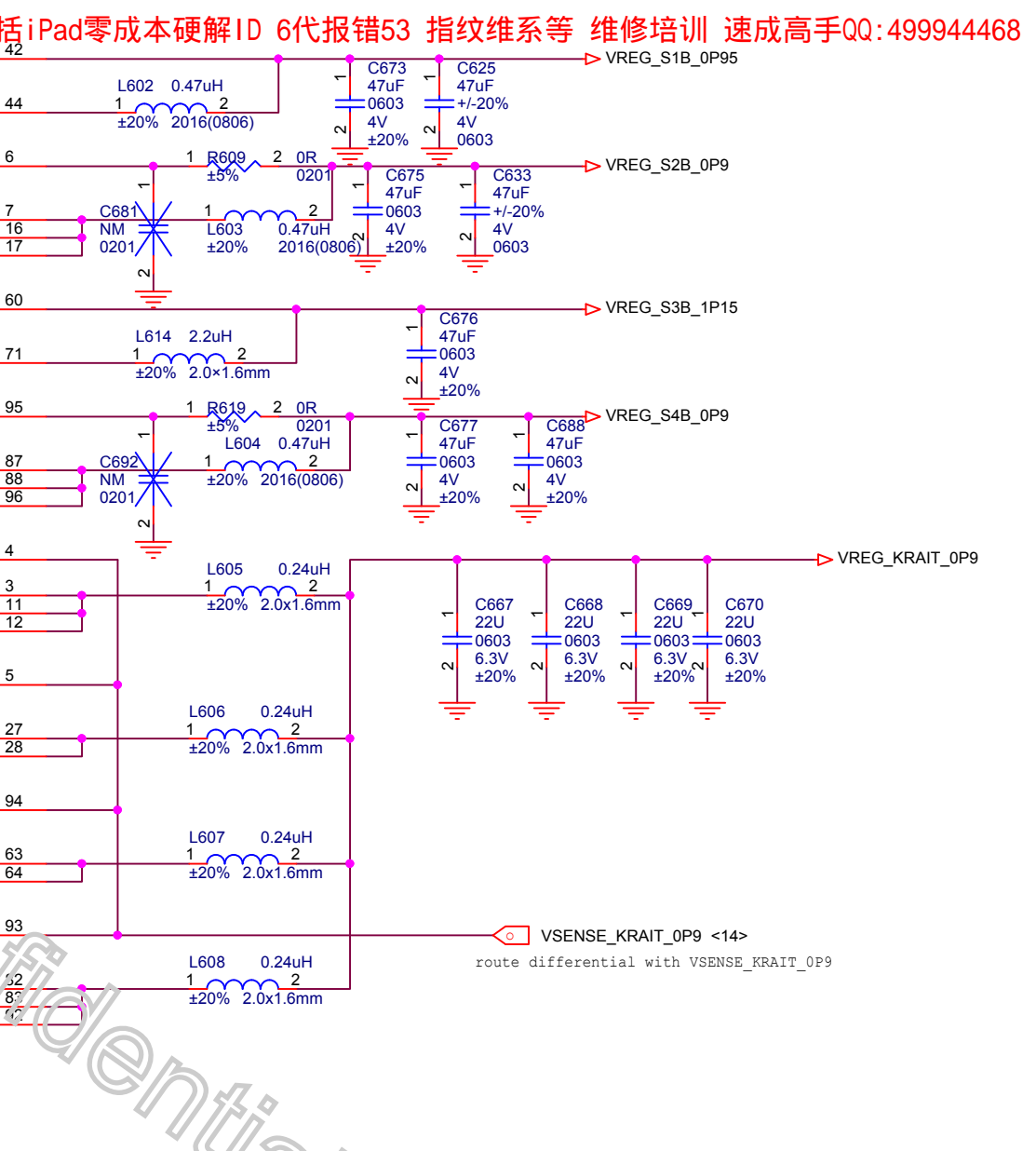
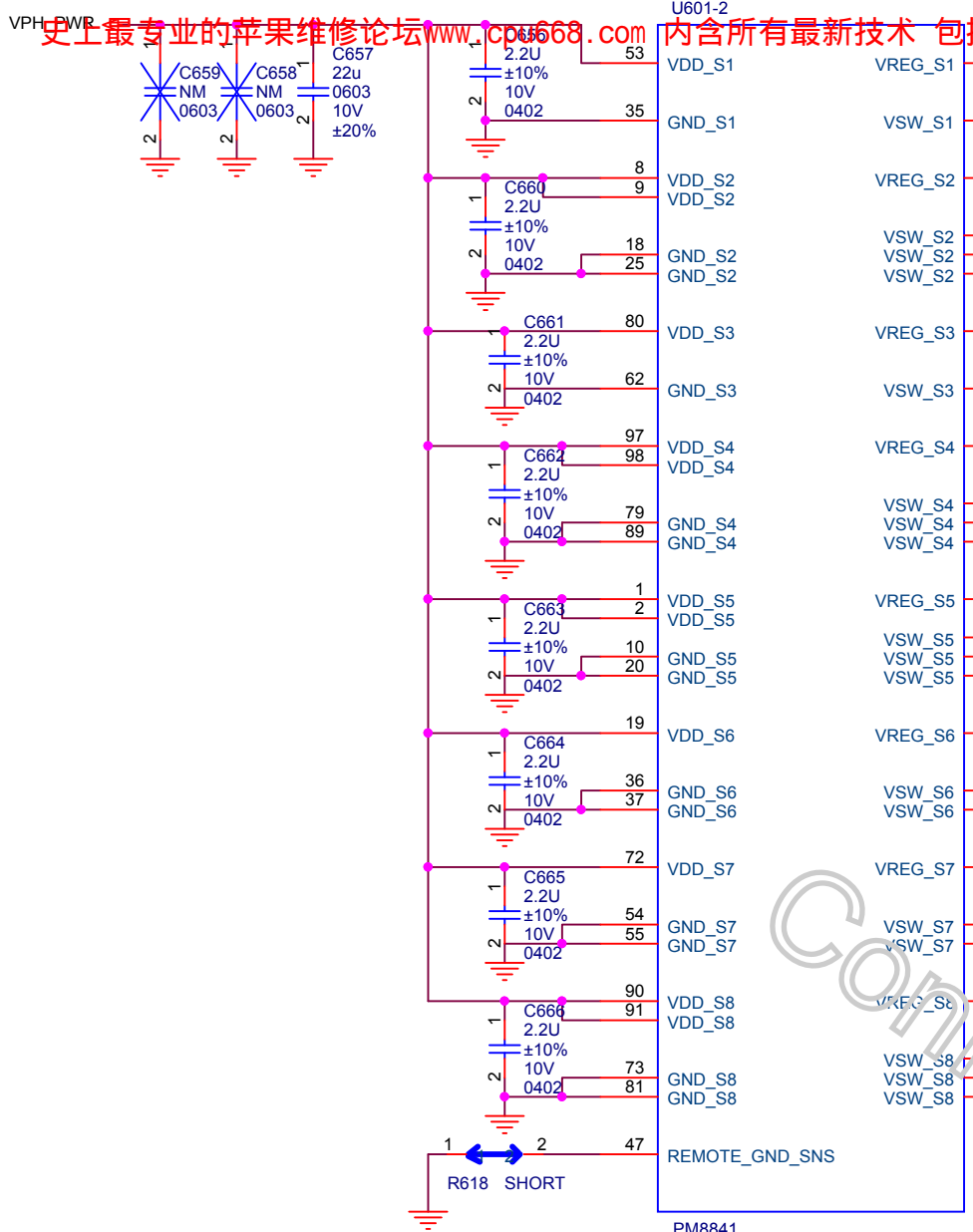
PM8941(4 OF 5) - LDO

Title X4_LTE		
Size A3	Document Number <Doc>	Rev M000B
Date: Friday, August 22, 2014	Sheet 21	of 31



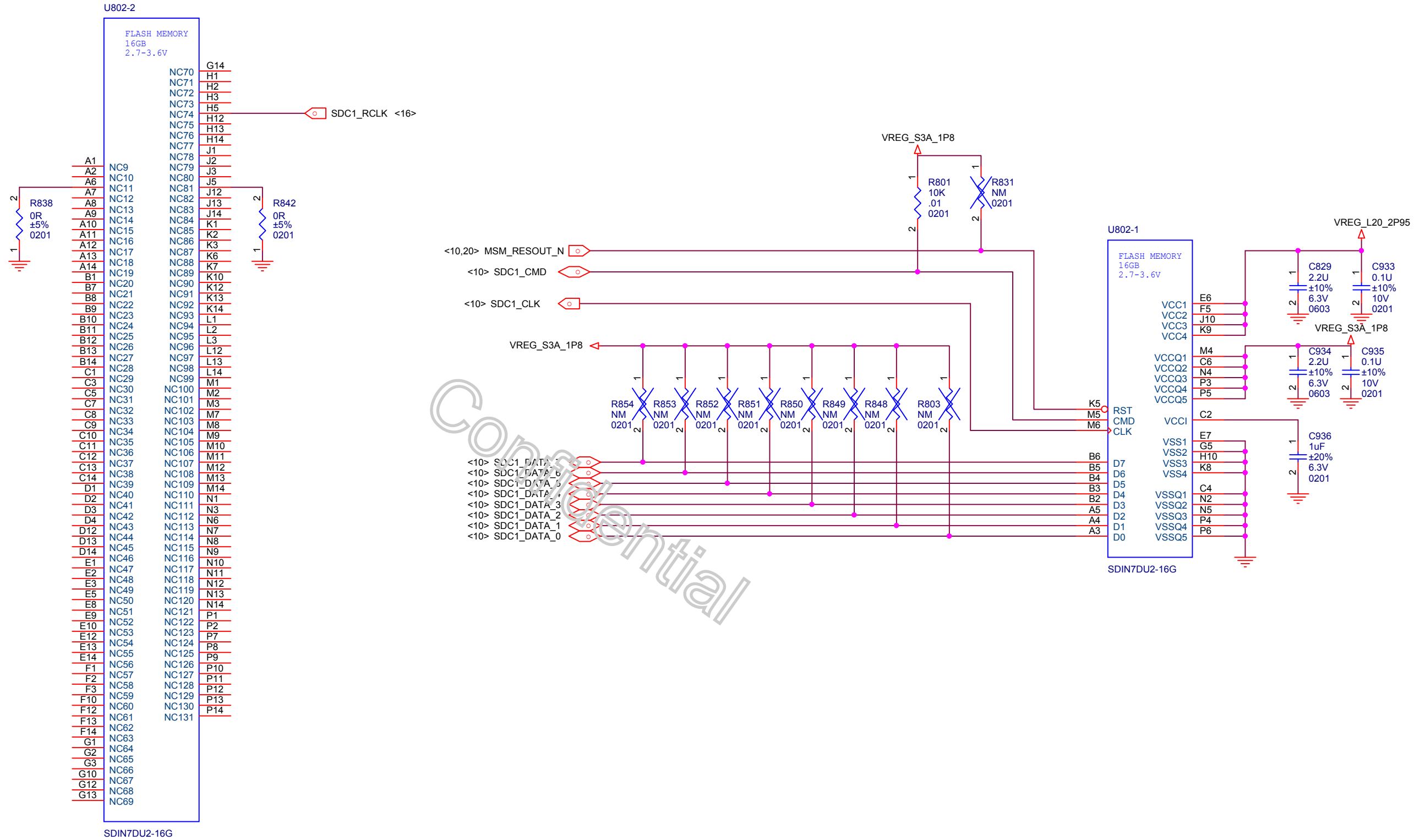
PM8941(5 OF 5) - LED&GND

Title		
X4_LTE		
Size	Document Number	Rev
A3	<Doc>	M000B
Date:	Friday, August 22, 2014	Sheet 22 of 31



PM8841 - CONTROL AND VREG

Title		X4_LTE
Size	Document Number	Rev
A3	<Doc>	M000B
Date:	Friday, August 22, 2014	Sheet 23 of 31

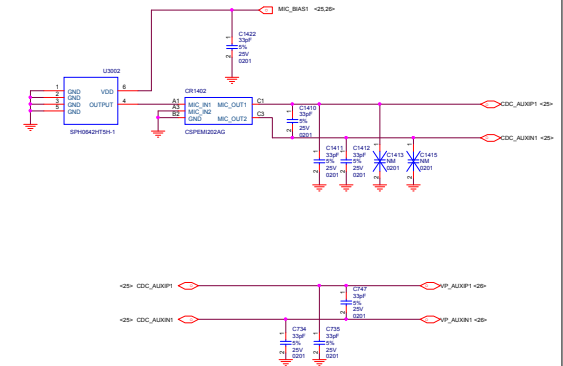
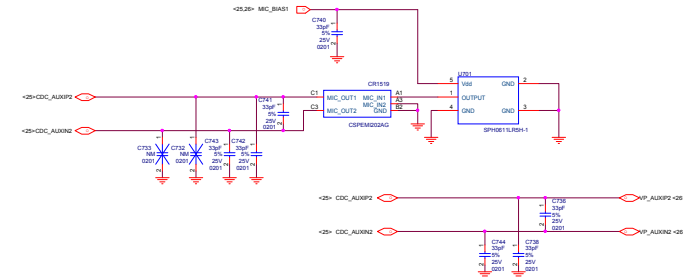
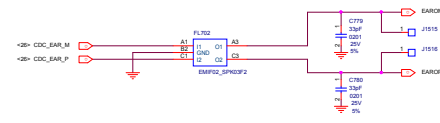


MEMORY

Title		
X4_LTE		
Size	Document Number	Rev
A3	<Doc>	M000B
Date:	Friday, August 22, 2014	Sheet 24 of 31

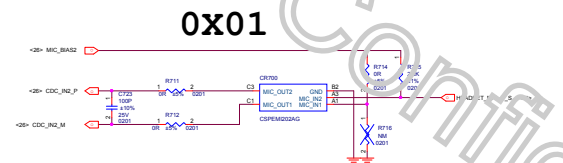
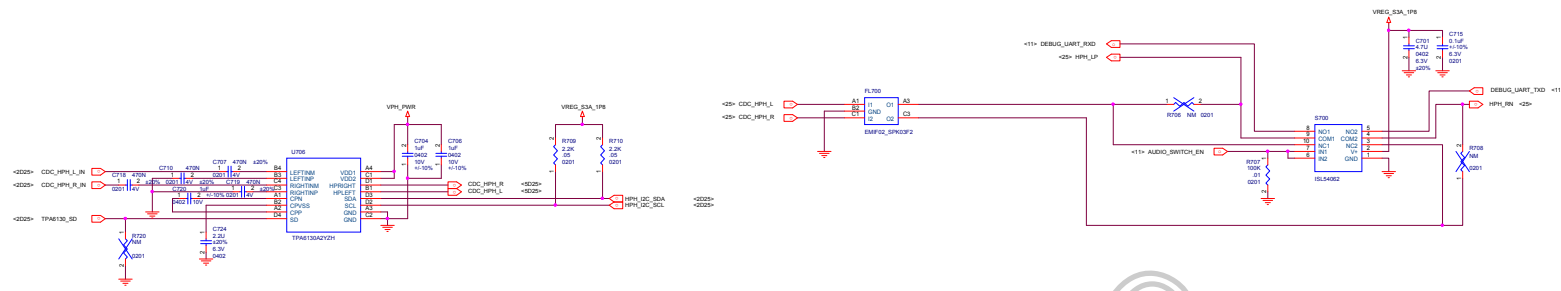
HANDSET

ANY Mic



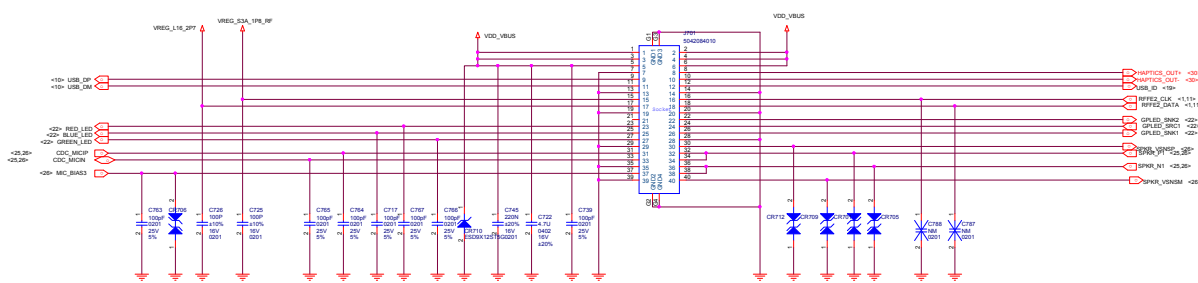
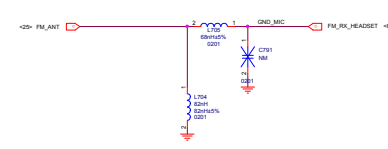
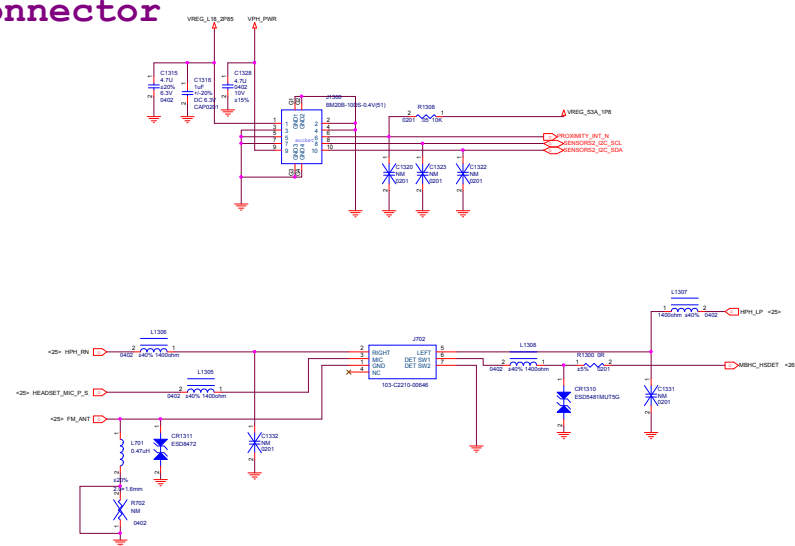
HEADSET

SPEAKER

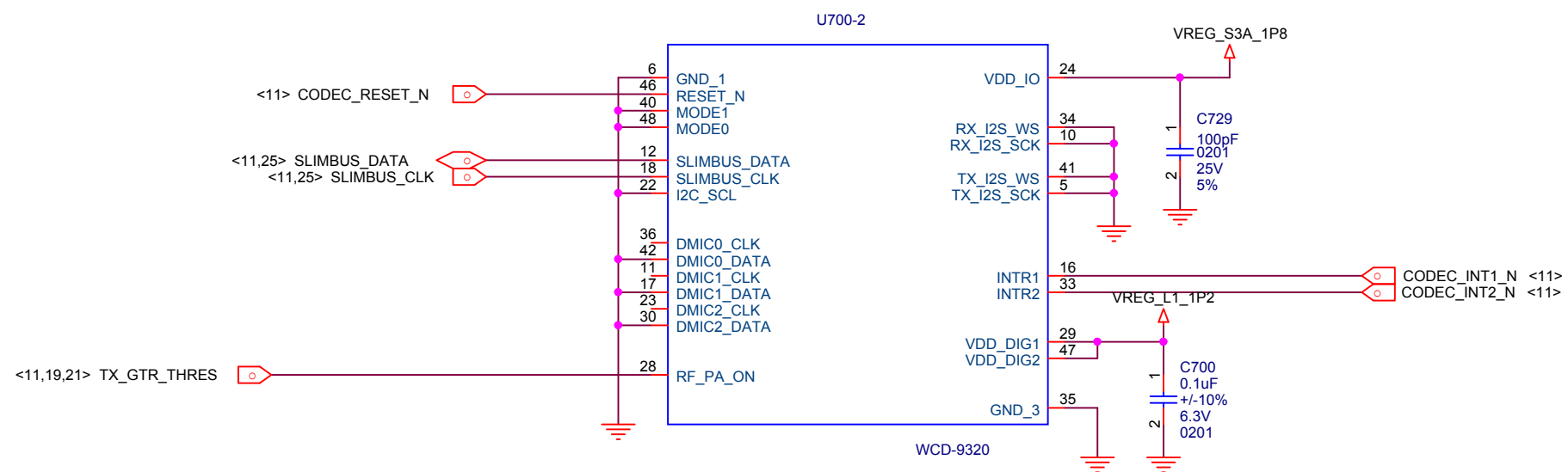
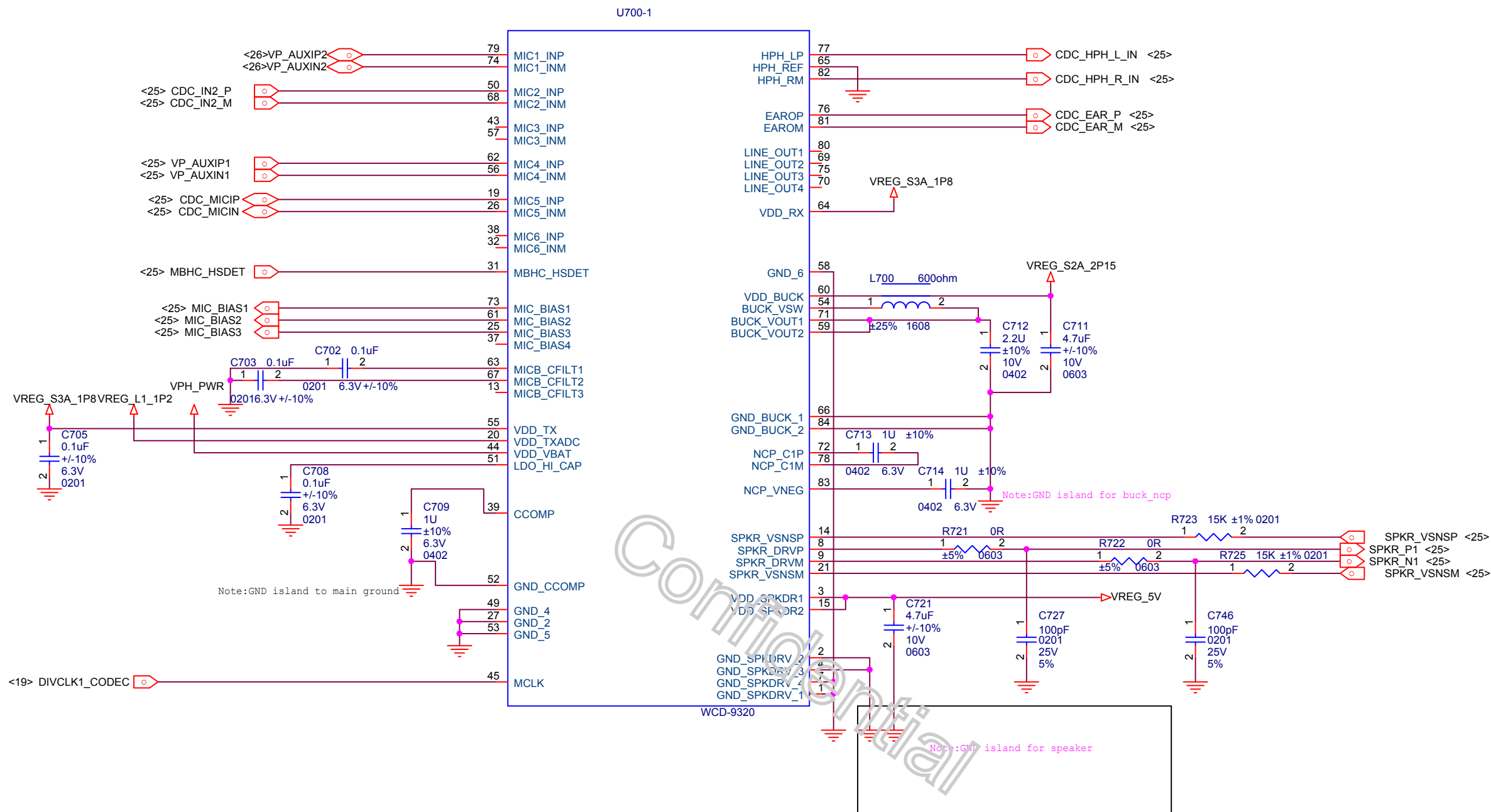


Connector

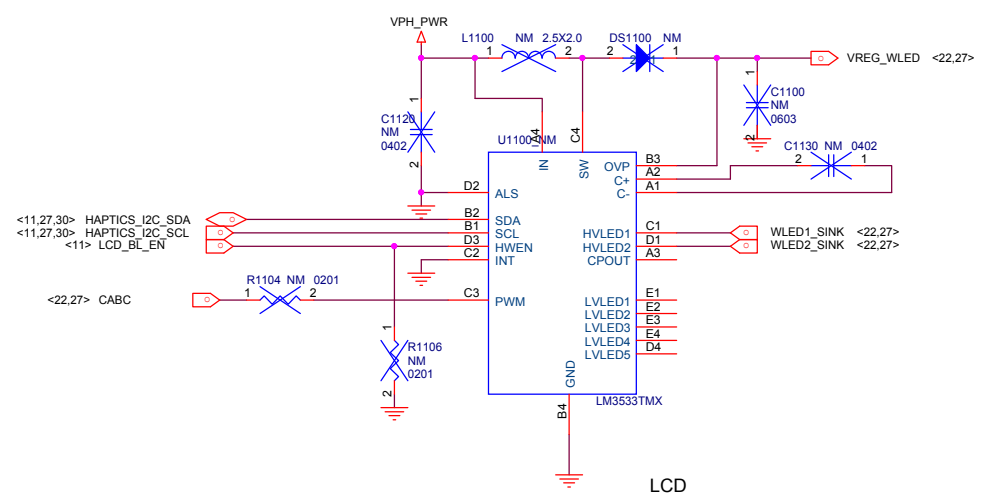
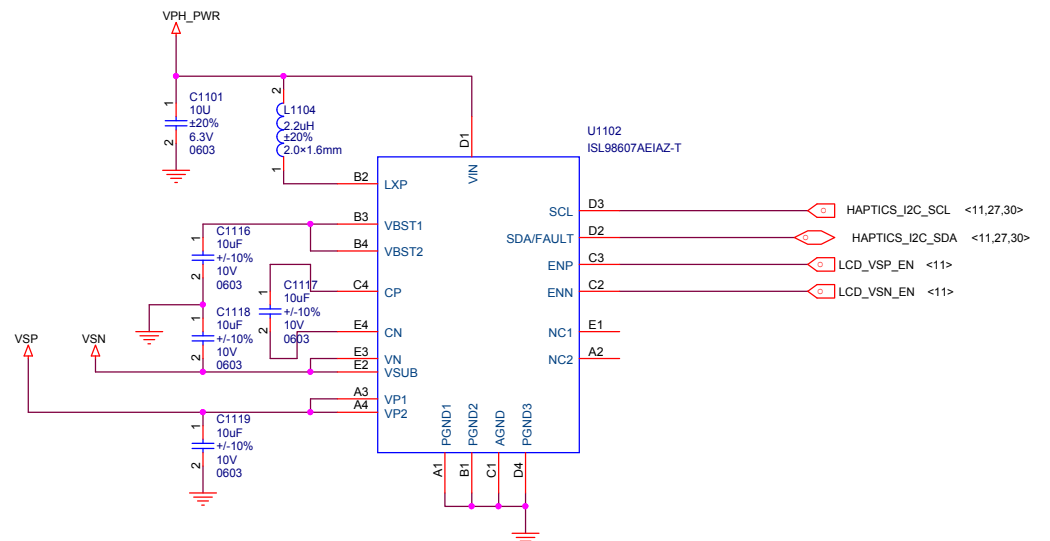
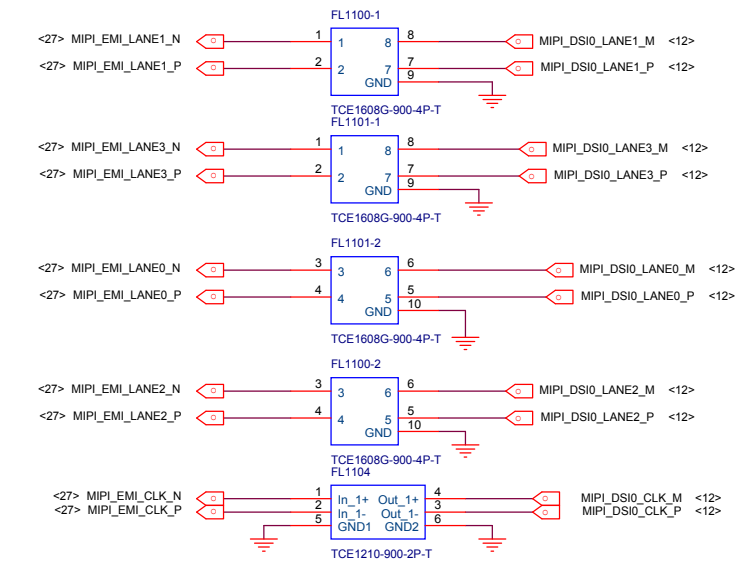
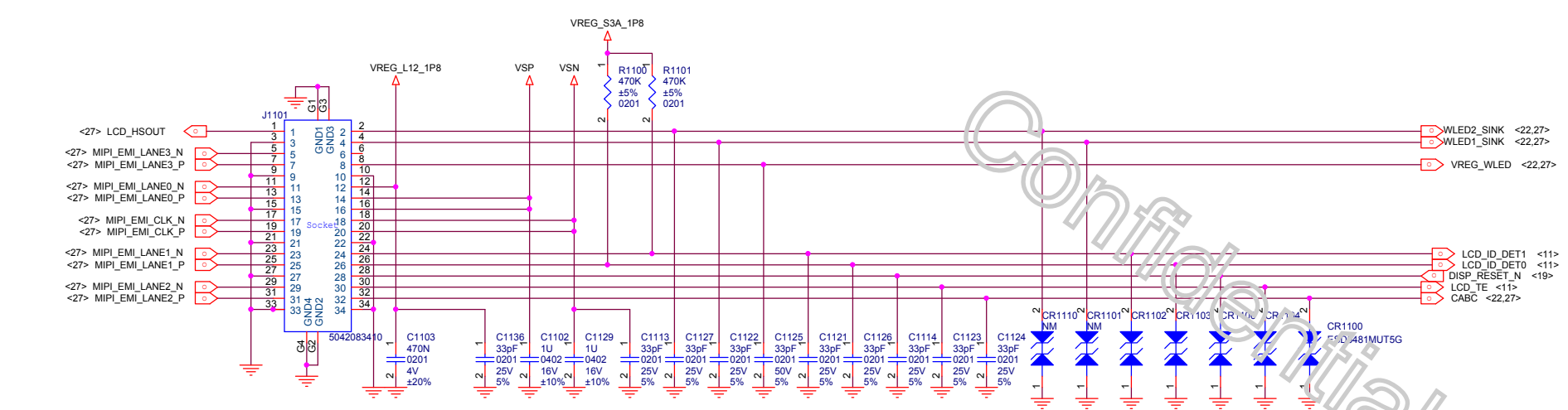
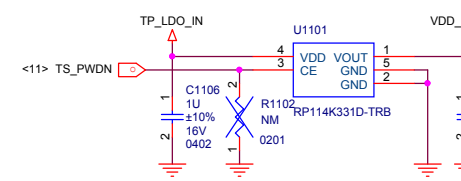
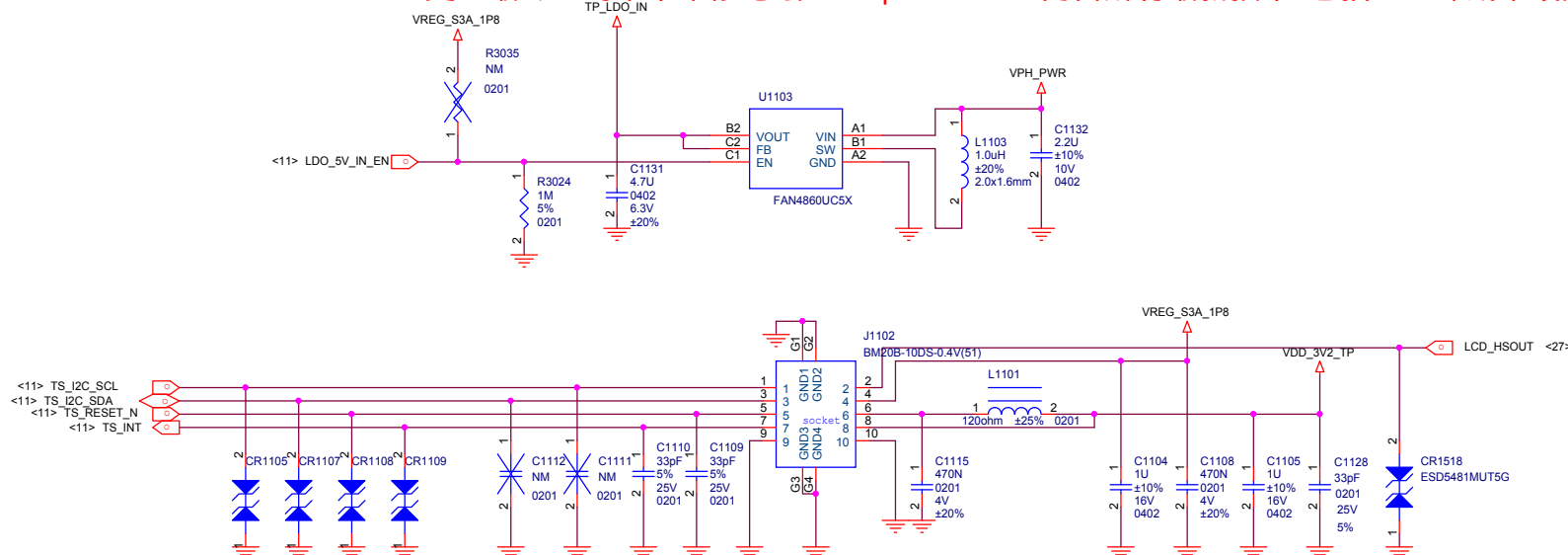
Voice Processor



0X01 Confidential

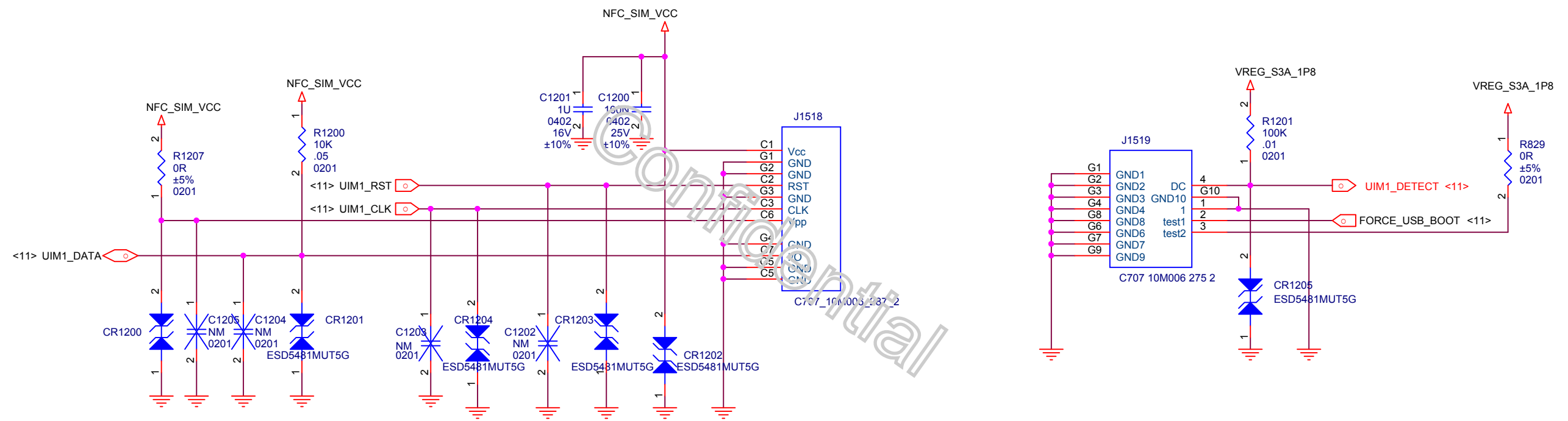


WCD9320		
Title: X4_LTE		
Size: A3	Document Number: <Doc>	Rev: M000B
Date: Friday, August 22, 2014	Sheet: 26	of 31



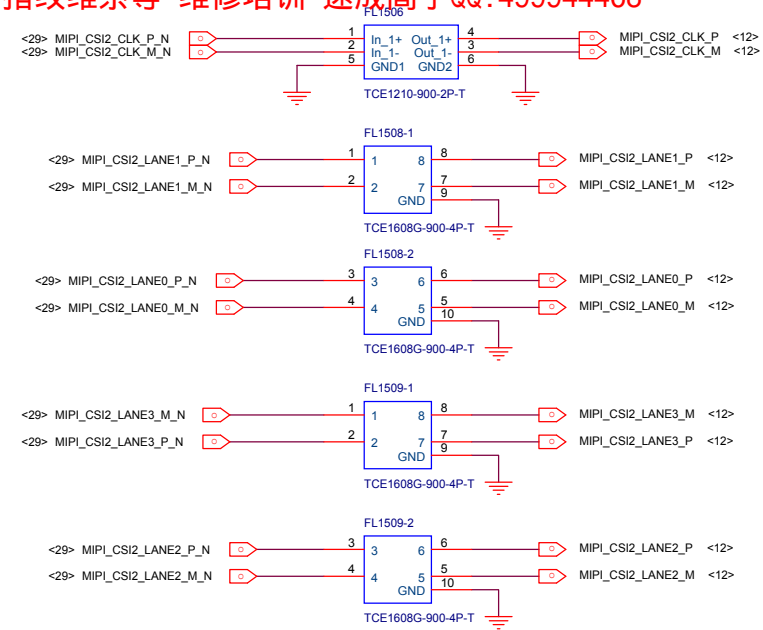
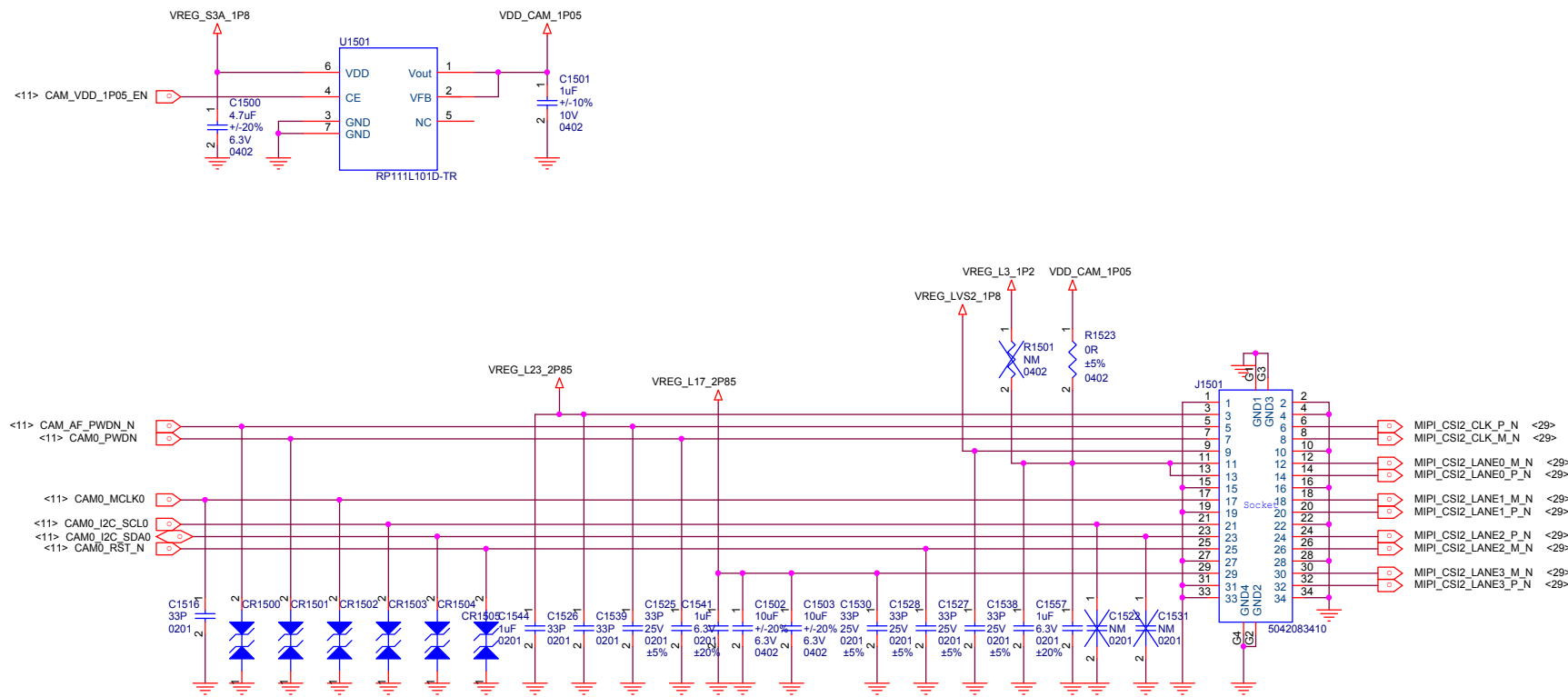
LCD

XIAO MI		
Title: X4_LTE		
Size: A2	Document Number: LCD	Rev: M000B
Date: Friday, August 22, 2014	Sheet: 27	of 31



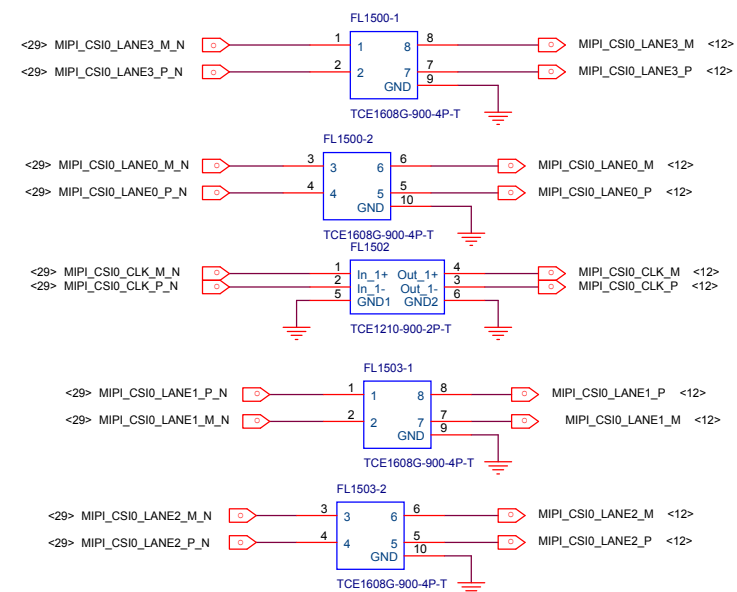
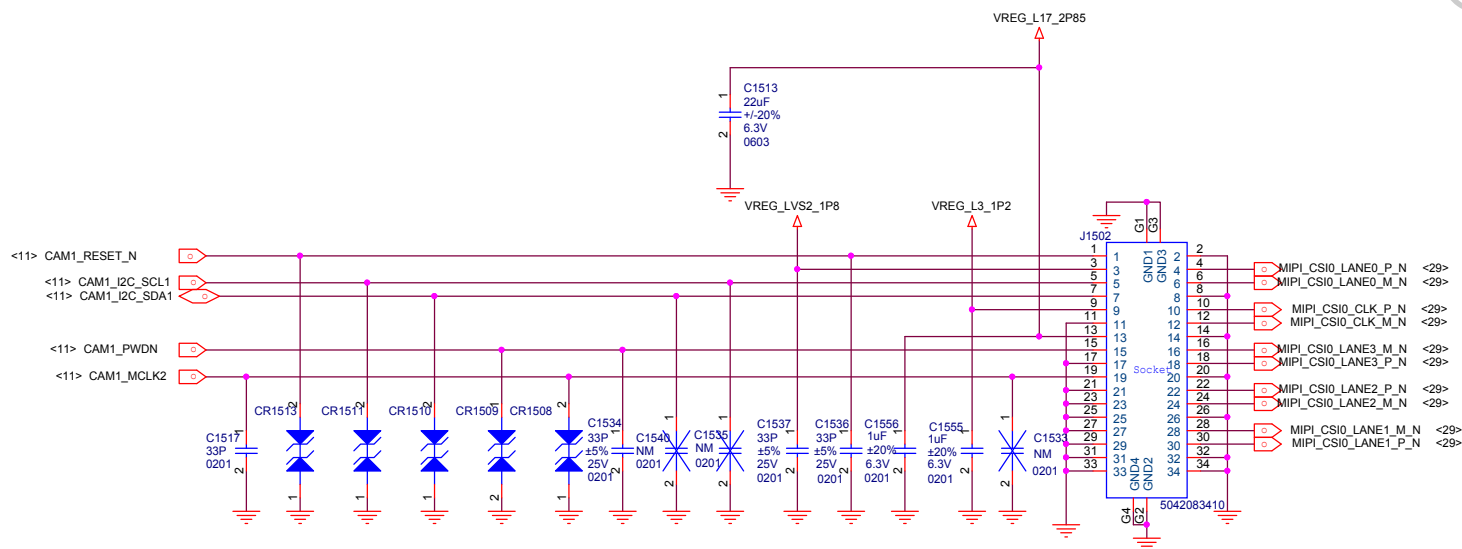
SD&SIM CONNECTOR

XIAO MI		
Title		
X4_LTE		
Size	Document Number	Rev
A3	SD&SIM CONNECTOR	M000B
Date:	Friday, August 22, 2014	Sheet 28 of 31

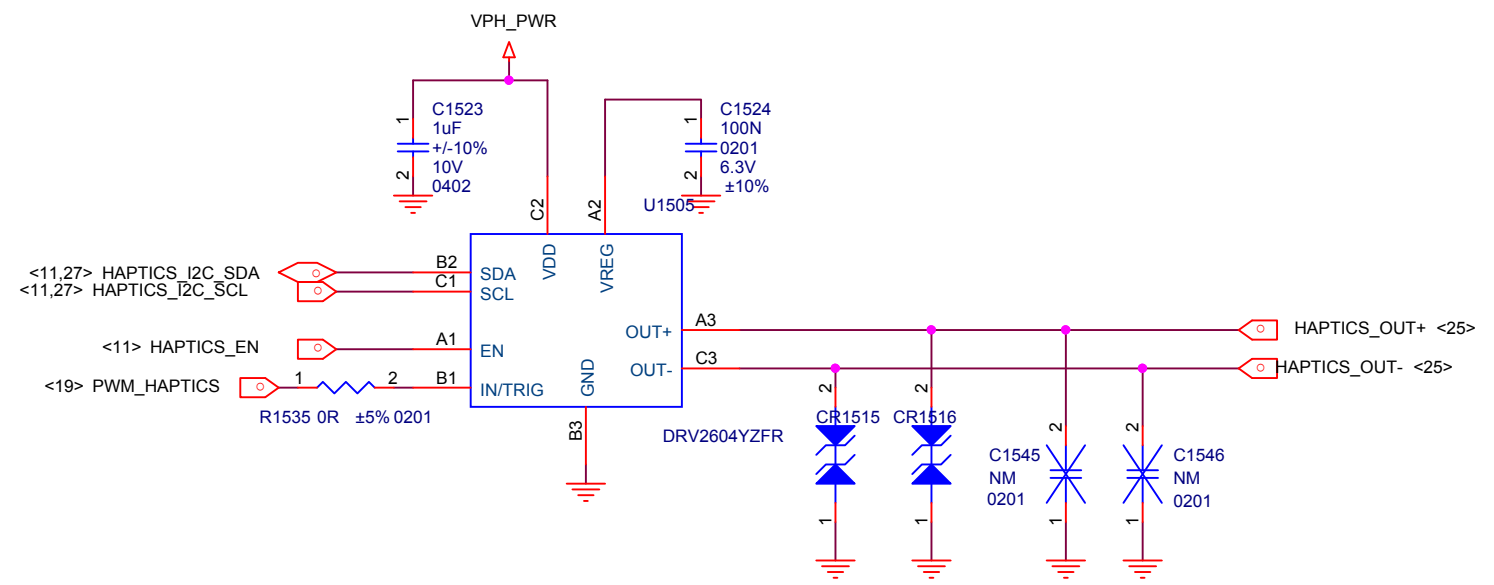


REAR CAMERA

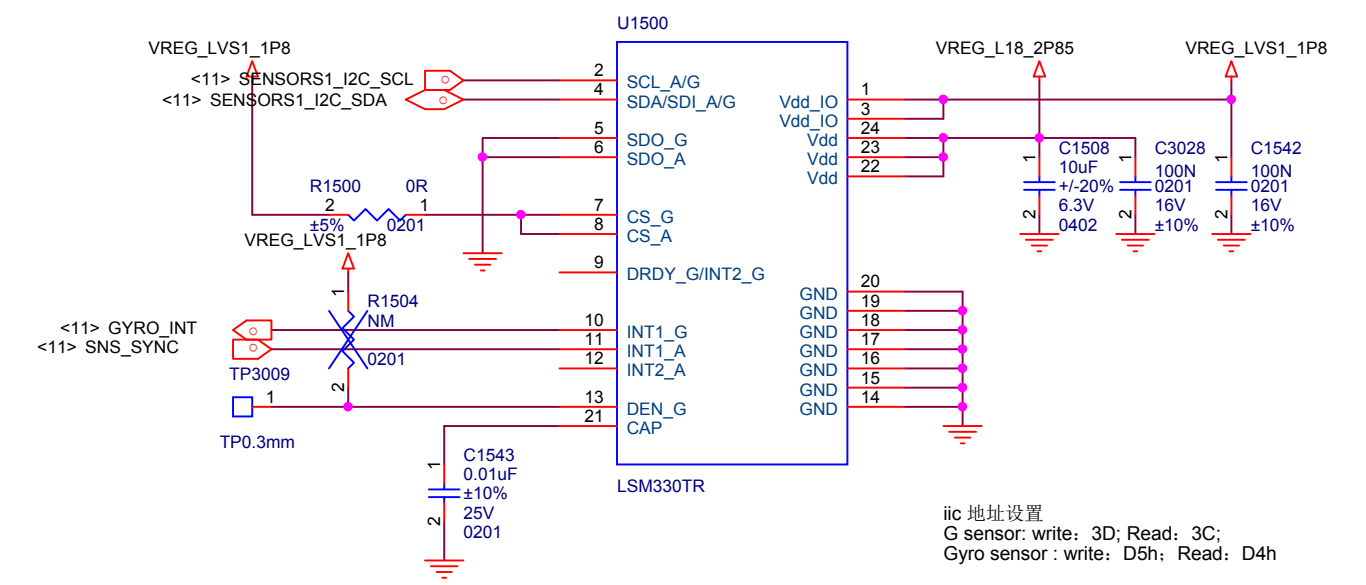
Confidential



FRONT CAMERA

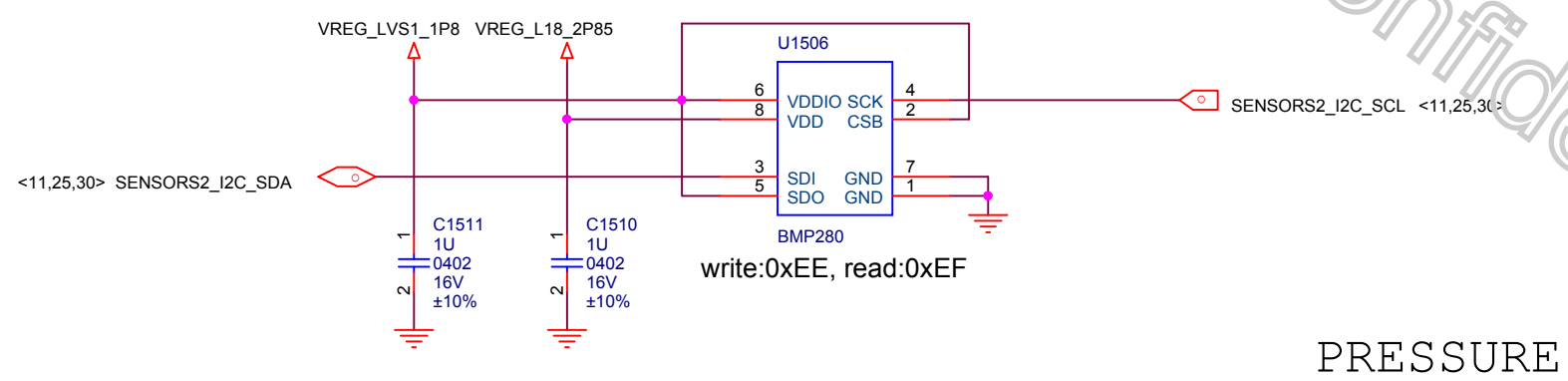


HAPTIC

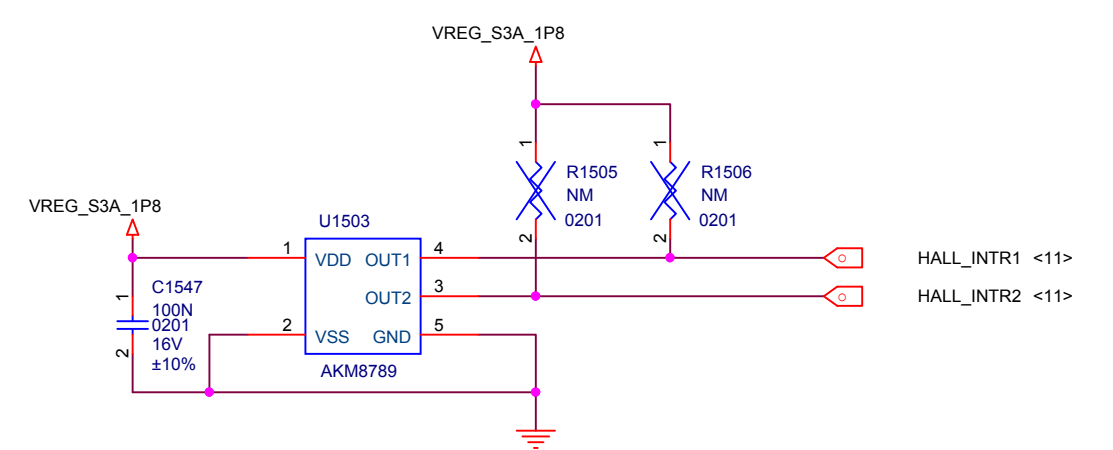


iic 地址设置
G sensor: write: 3D; Read: 3C;
Gyro sensor : write: D5h; Read: D4h

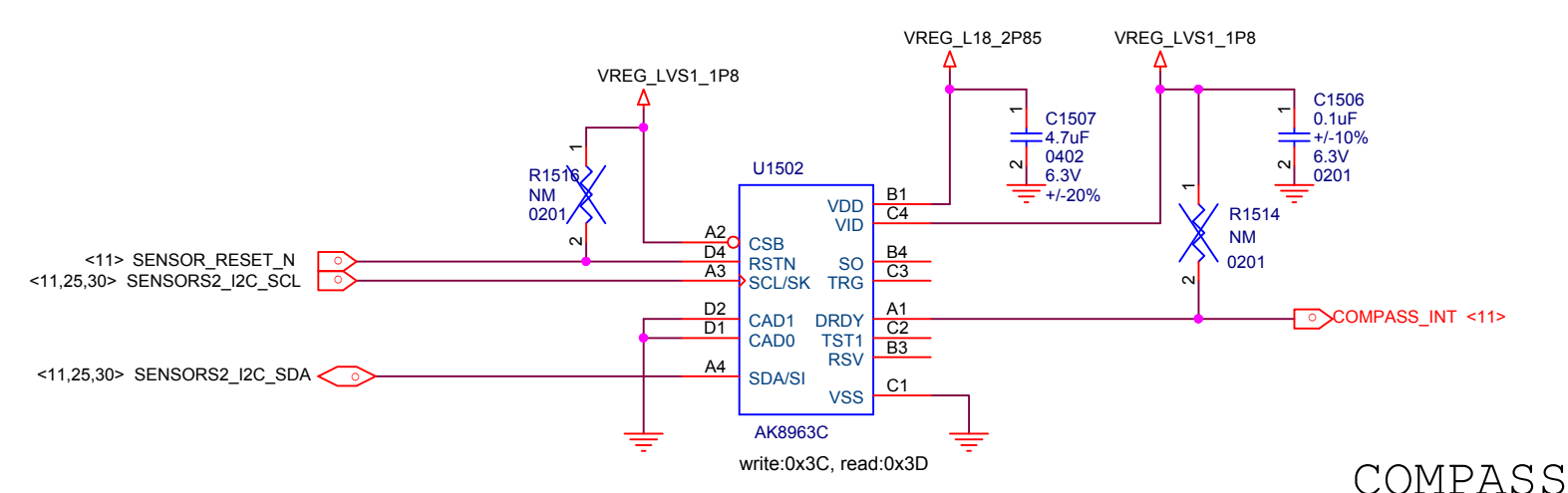
G+G



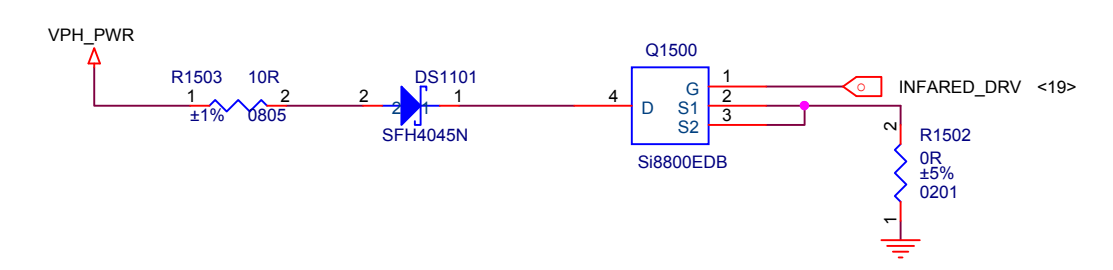
PRESSURE



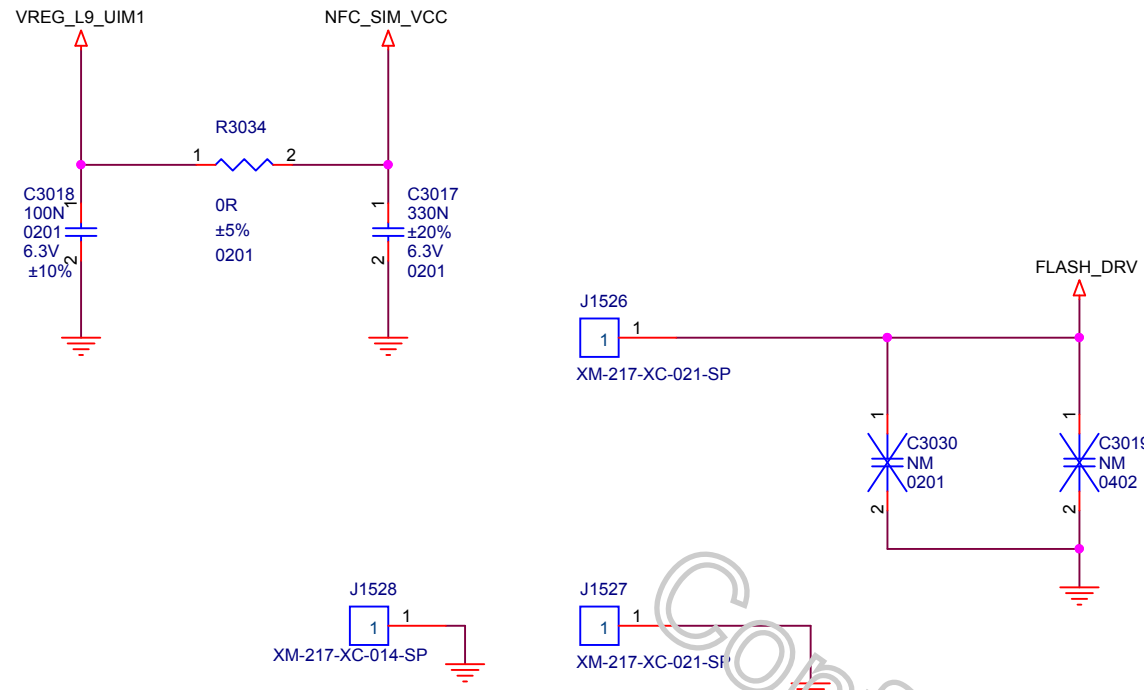
Confidential



COMPASS



SENSOR		
Title	X4_LTE	
Size	Document Number	Rev
A3	<Doc>	M000B
Date:	Friday, August 22, 2014	Sheet 30 of 31



Confidential

Title		
X4_LTE		
Size	Document Number	Rev
A3	<Doc>	000B
Date:	Friday, August 22, 2014	Sheet 31 of 31